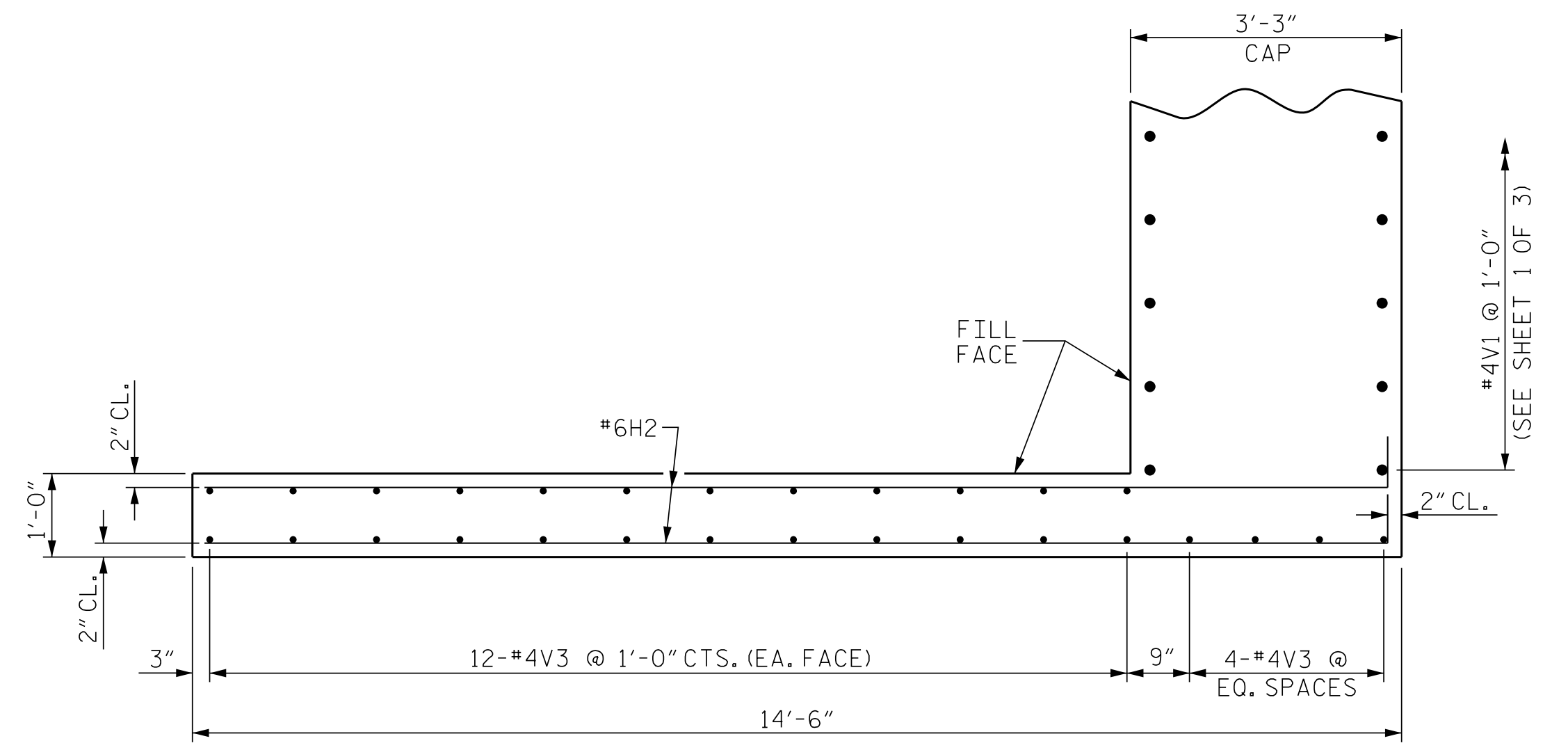
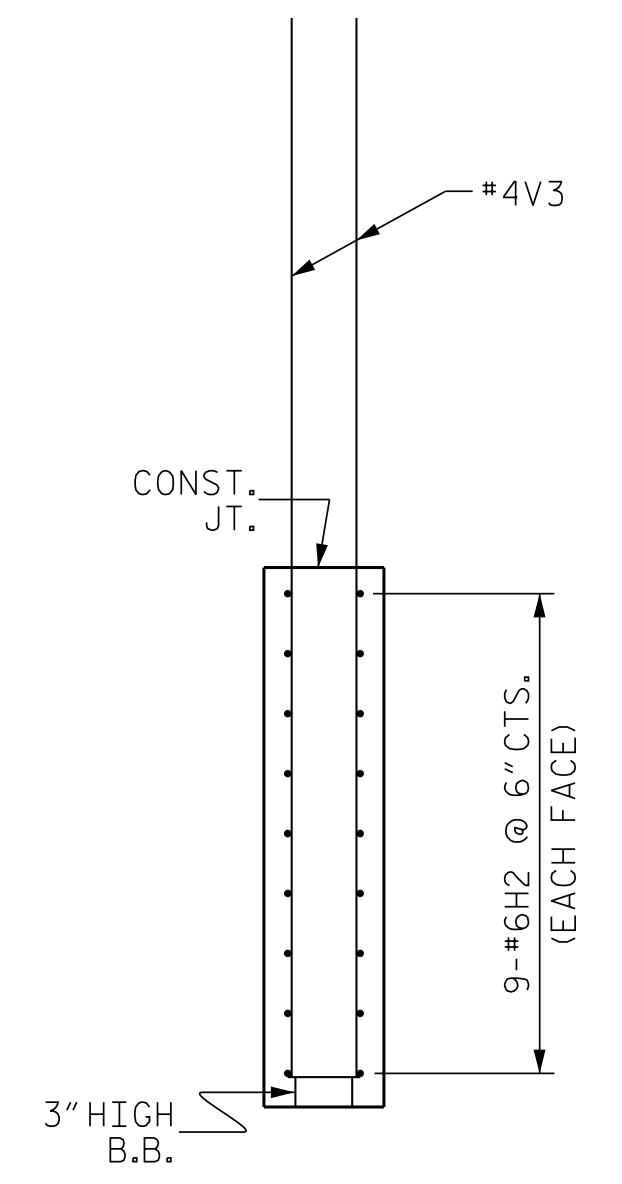


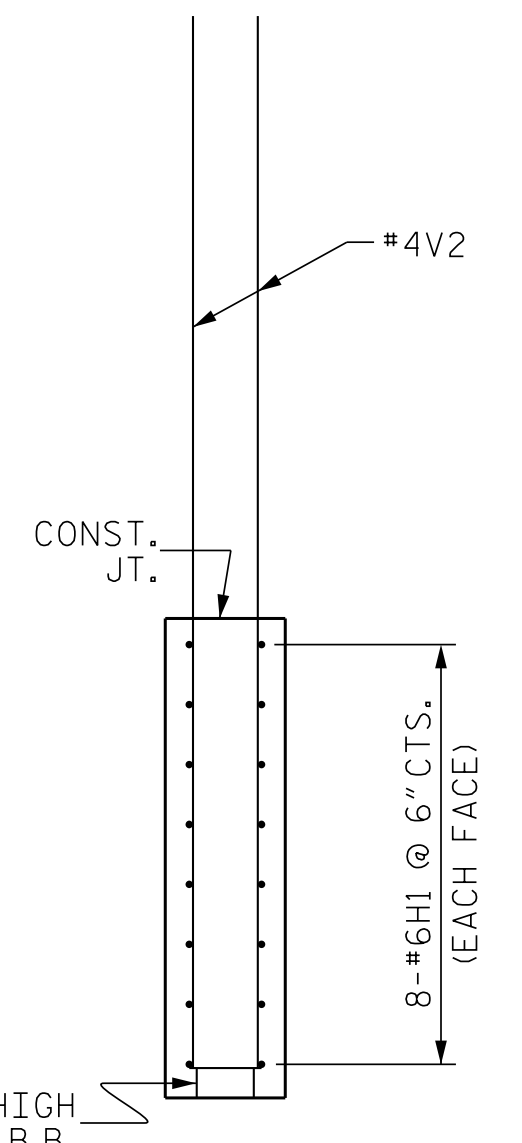
PLAN OF WING (W1)



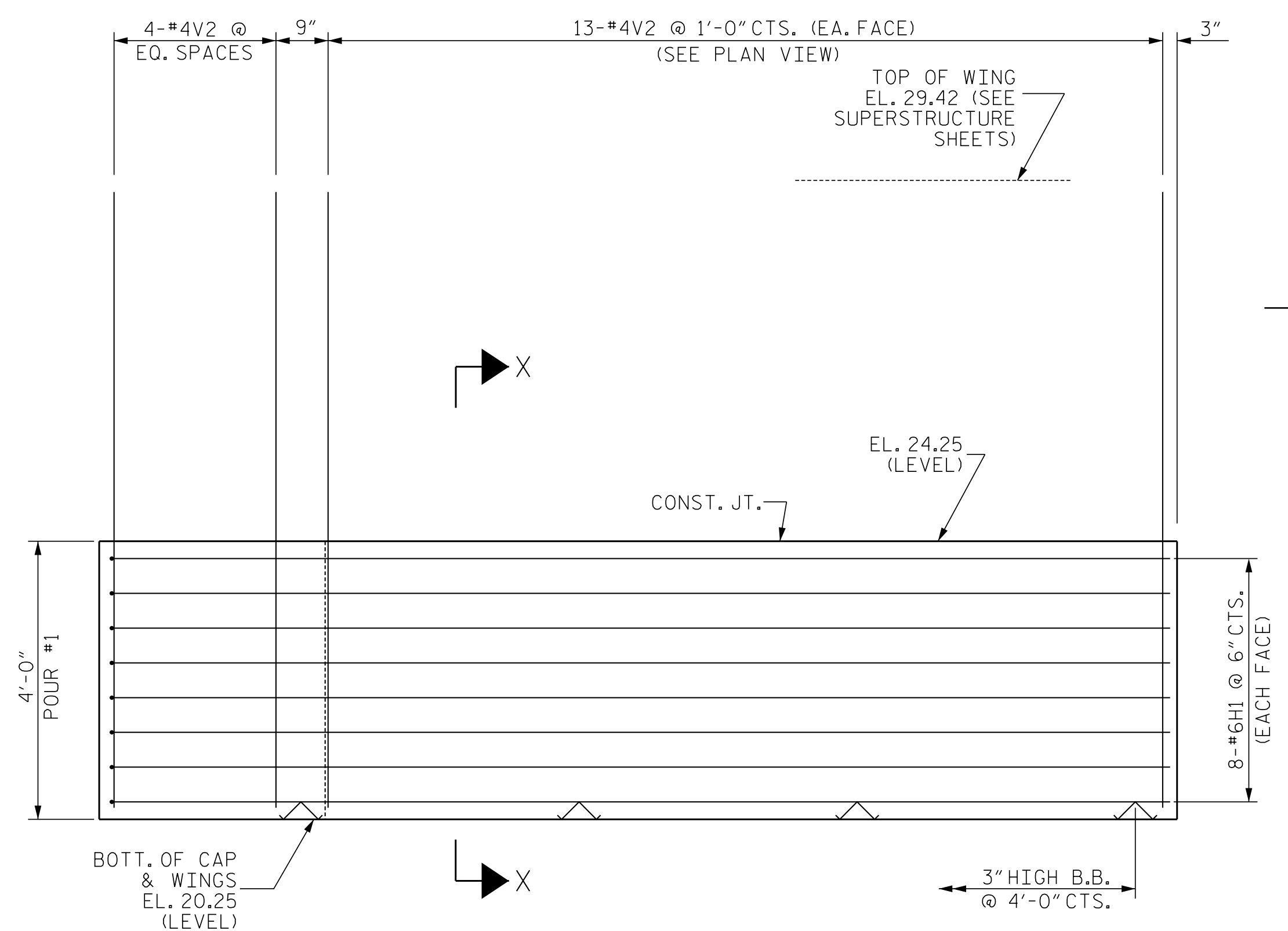
PLAN OF WING (W2)



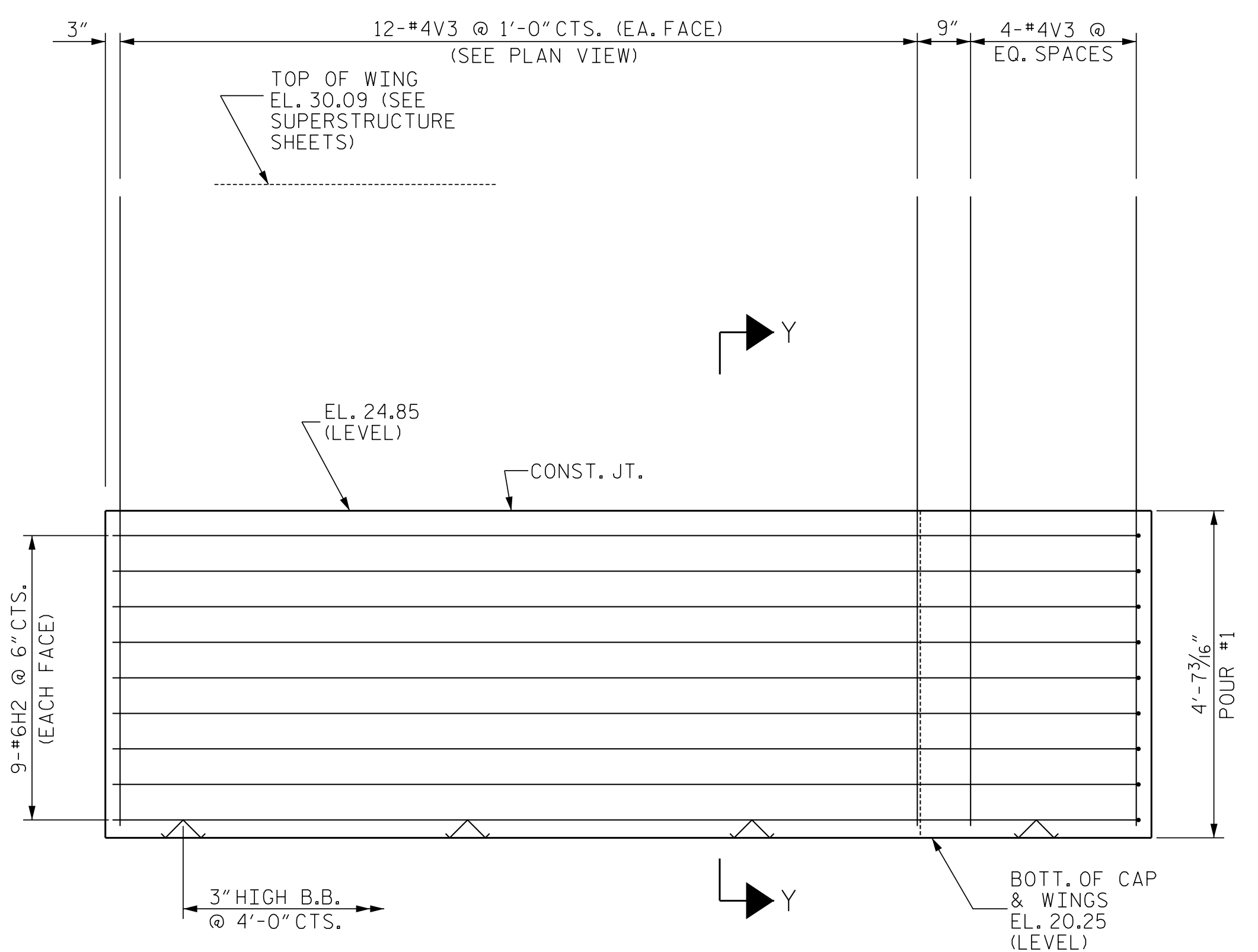
SECTION Y-Y



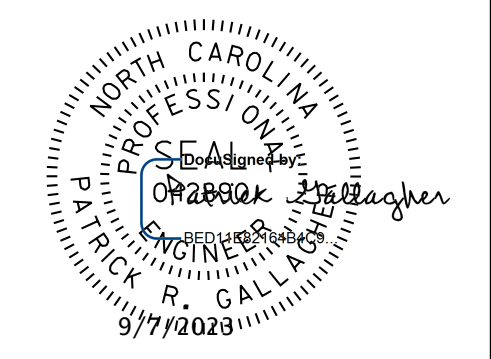
SECTION X-X



ELEVATION OF WING (W1)



ELEVATION OF WING (W2)



PROJECT NO. B-4926
 LENOIR COUNTY
 STATION: 35+00.00 -L-
 SHEET 2 OF 3

STATE OF NORTH CAROLINA
 DEPARTMENT OF TRANSPORTATION
 RALEIGH
 SUBSTRUCTURE
 INTEGRAL
 END BENT NO. 1
 WING DETAILS

**DOCUMENT NOT CONSIDERED FINAL
 UNLESS ALL SIGNATURES COMPLETED**
 Johnson, Mirmiran, & Thompson Inc.
 4700 Falls of Neuse Rd, Suite 100,
 Raleigh, NC, 27609
 License No: C-3097

REVISIONS						SHEET NO.
NO.	BY:	DATE:	NO.	BY:	DATE:	S2-28
1			3			TOTAL SHEETS
2			4			39

W:\Projects\2023\B-4926\Lenoir\20 - B-4926 - Lenoir\20 - B-4926 - Lenoir - 3A\Structures\Lenoir - 3A\Plans\W2_05_194926_SML\EB16_528.dgn
 DATE: 02/24/23 11:05 AM on Wednesday, September 06, 2023

DWN. BY: WDC DATE: 03/2023
 CHKD. BY: PRG DATE: 03/2023
 DES. EGR. OF RECORD: PRG DATE: 03/2023