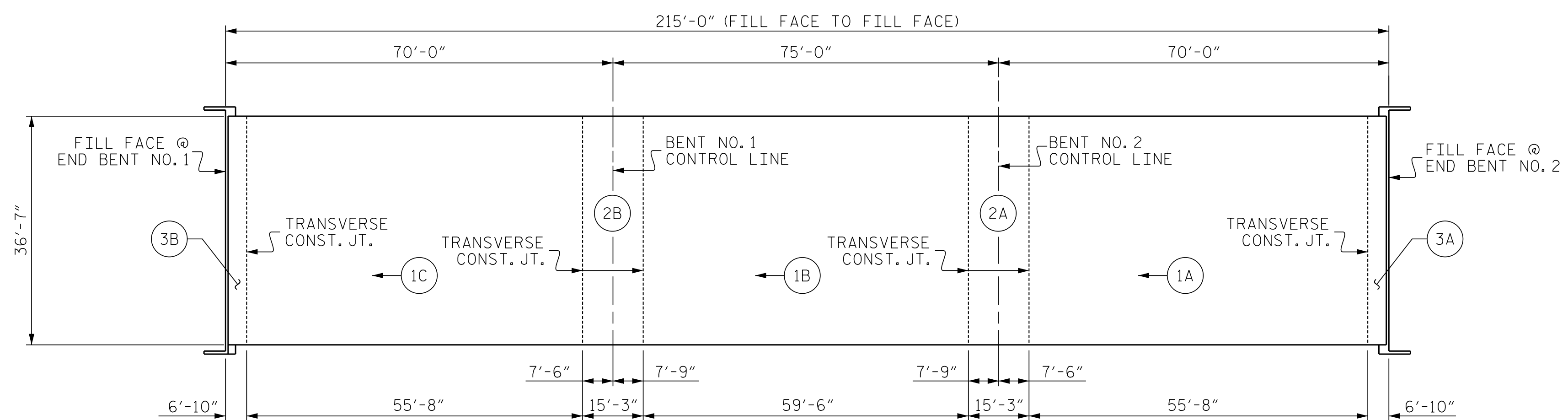
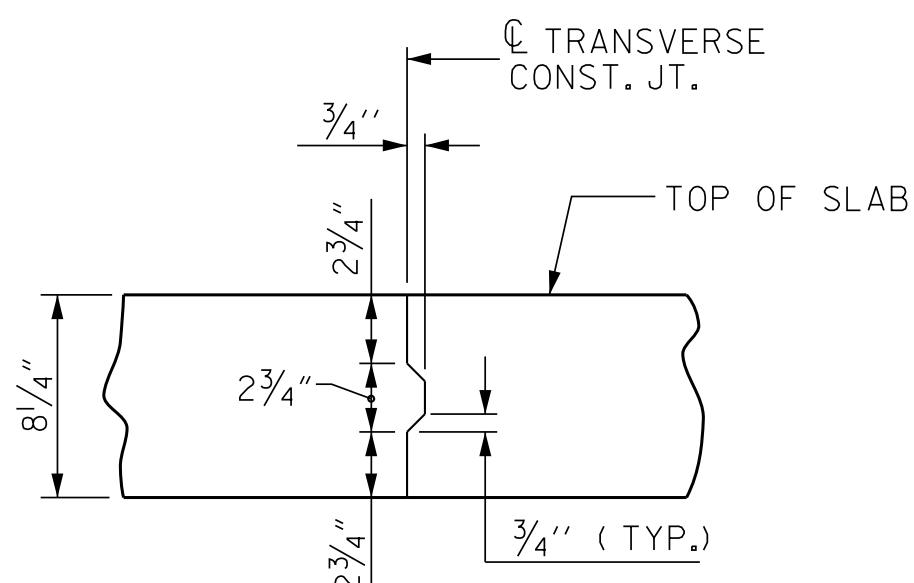


POURING SEQUENCE AND LAYOUT FOR COMPUTING AREA OF REINFORCED CONCRETE DECK SLAB  
(TOTAL = 7,805 SQ. FT.)



OPTIONAL POURING SEQUENCE

NOTE: POUR 2 SHALL NOT BE STARTED UNTIL BOTH ADJACENT 1 POURS REACH A MINIMUM STRENGTH OF 3000 PSI.

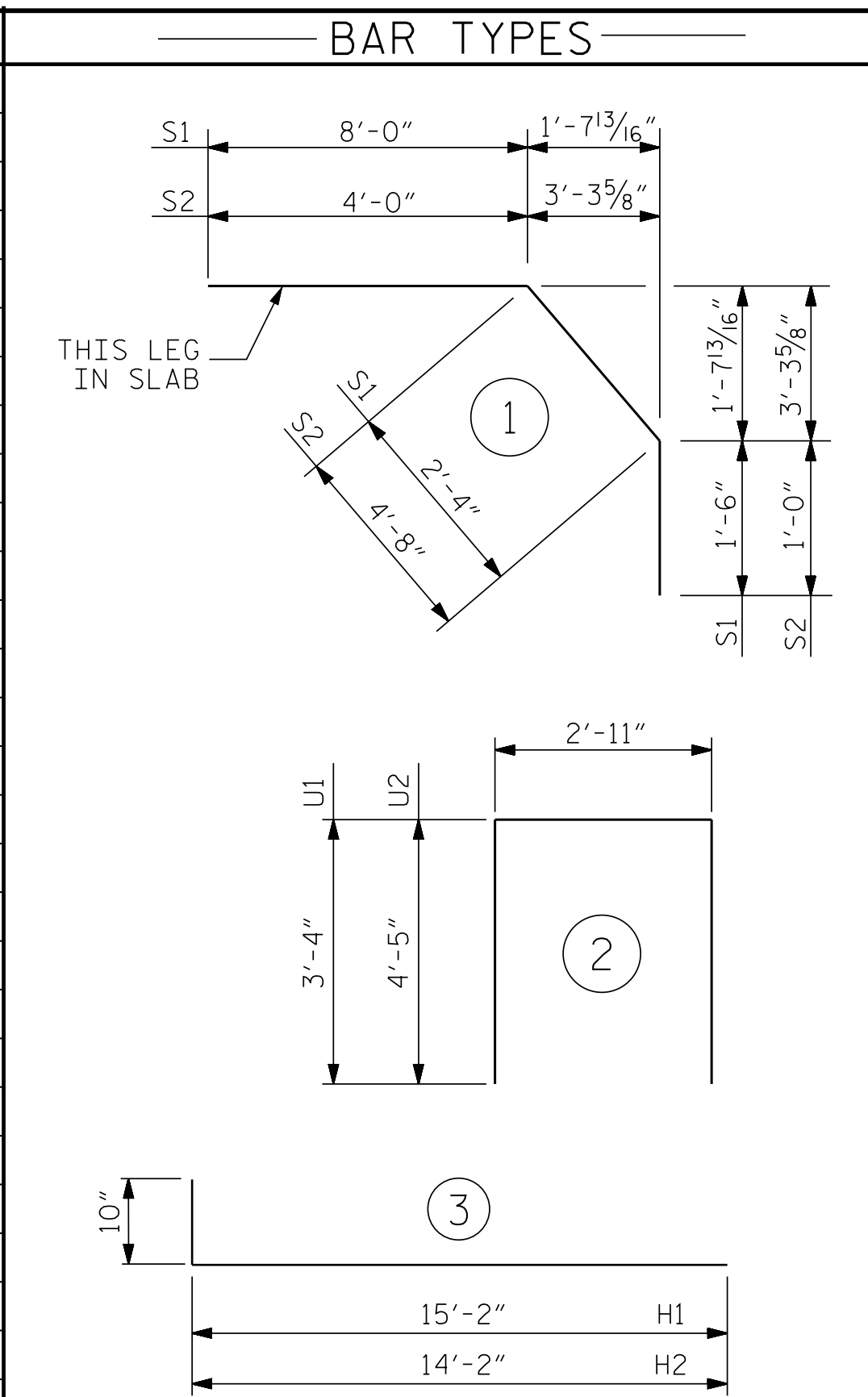


TRANSVERSE CONSTRUCTION JOINT DETAIL

NOTE: REINFORCING STEEL IN SLAB NOT SHOWN. LONGITUDINAL REINFORCING STEEL SHALL BE CONTINUOUS THRU JOINT

BAR SIZE	SUPERSTRUCTURE EXCEPT APPROACH SLABS, PARAPET, AND BARRIER RAIL		APPROACH SLABS		PARAPET AND BARRIER RAIL
	EPOXY COATED	UNCOATED	EPOXY COATED	UNCOATED	
#4	1'-11"	1'-7"	1'-11"	1'-7"	2'-6"
#5	2'-5"	2'-0"	2'-5"	2'-0"	3'-1"
#6	2'-10"	2'-5"	3'-7"	2'-5"	3'-8"
#7	4'-2"	2'-9"			
#8	4'-9"	3'-2"			

BILL OF MATERIAL					
BAR	NO.	SIZE	TYPE	LENGTH	WEIGHT
* A1	394	#5	STR	36'-3"	14,897
A2	394	#5	STR	36'-3"	14,897
B1	80	#5	STR	48'-6"	4,047
B2	80	#5	STR	46'-3"	3,859
B3	68	#4	STR	39'-0"	1,772
B4	40	#5	STR	31'-6"	1,314
* B5	50	#5	STR	45'-5"	2,368
* B6	144	#5	STR	13'-10"	2,078
* B7	50	#5	STR	53'-6"	2,790
* B8	96	#5	STR	31'-9"	3,179
* B9	25	#5	STR	24'-10"	648
H1	38	#6	3	16'-0"	913
H2	40	#6	3	15'-0"	901
K1	16	#4	STR	21'-11"	234
K2	8	#4	STR	5'-4"	29
K3	16	#4	STR	6'-6"	69
K4	8	#4	STR	5'-10"	31
K5	4	#4	STR	5'-0"	13
K6	8	#4	STR	5'-7"	30
K7	4	#4	STR	5'-3"	14
K8	16	#4	STR	2'-8"	29
* S1	56	#4	1	11'-10"	443
* S2	56	#4	1	9'-8"	362
U1	56	#4	2	9'-7"	358
U2	12	#4	2	11'-9"	94
REINFORCING STEEL				28,604 LBS.	
* EPOXY COATED REINFORCING STEEL				26,765 LBS.	



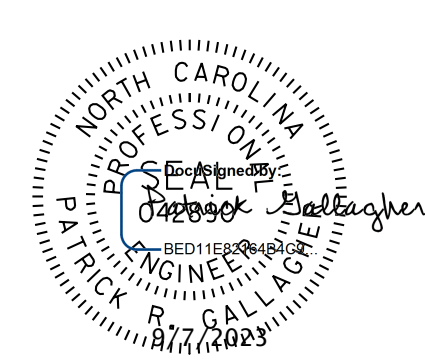
ALL BAR DIMENSIONS ARE OUT TO OUT

GROOVING BRIDGE FLOORS	
APPROACH SLABS	878 SQ.FT.
BRIDGE DECK	6,603 SQ.FT.
TOTAL	7,481 SQ.FT.

— SUPERSTRUCTURE BILL OF MATERIAL —			
	CLASS AA CONCRETE (CU. YDS.)	REINFORCING STEEL (LBS.)	EPOXY COATED REINFORCING STEEL (LBS.)
POUR 1	76.8	—	—
POUR 2	81.0	—	—
POUR 3	60.3	—	—
POUR 4	62.0	—	—
TOTALS**	280.1	28,526	26,988

\*\* QUANTITIES FOR PARAPETS AND END POSTS ARE NOT INCLUDED.

PROJECT NO. B-4926  
LENOIR COUNTY  
STATION: 35+00.00 -L-



STATE OF NORTH CAROLINA  
DEPARTMENT OF TRANSPORTATION  
RALEIGH  
SUPERSTRUCTURE  
BILL OF MATERIAL

DOCUMENT NOT CONSIDERED FINAL UNLESS ALL SIGNATURES COMPLETED  
**JMT** Johnson, Mirmiran, & Thompson Inc.  
4700 Falls of Neuse Rd, Suite 100,  
Raleigh, NC, 27609  
License No: C-3097

REVISIONS						SHEET NO.
NO.	BY:	DATE:	NO.	BY:	DATE:	S2-26
1			3			TOTAL SHEETS 39
2			4			

W:\Projects\2023\B-4926\Lenoir\20 & 3A\Structures\Lenoir\_3A\Drawings\02\_051\_BA926\_5M\BOM\_S26.dgn  
 DWN. BY: WDC DATE: 03/2023  
 CHKD. BY: PRG DATE: 03/2023  
 DES. EGR. OF RECORD: PRG DATE: 03/2023  
 TIME: 02:34 PM on Wednesday, September 06, 2023