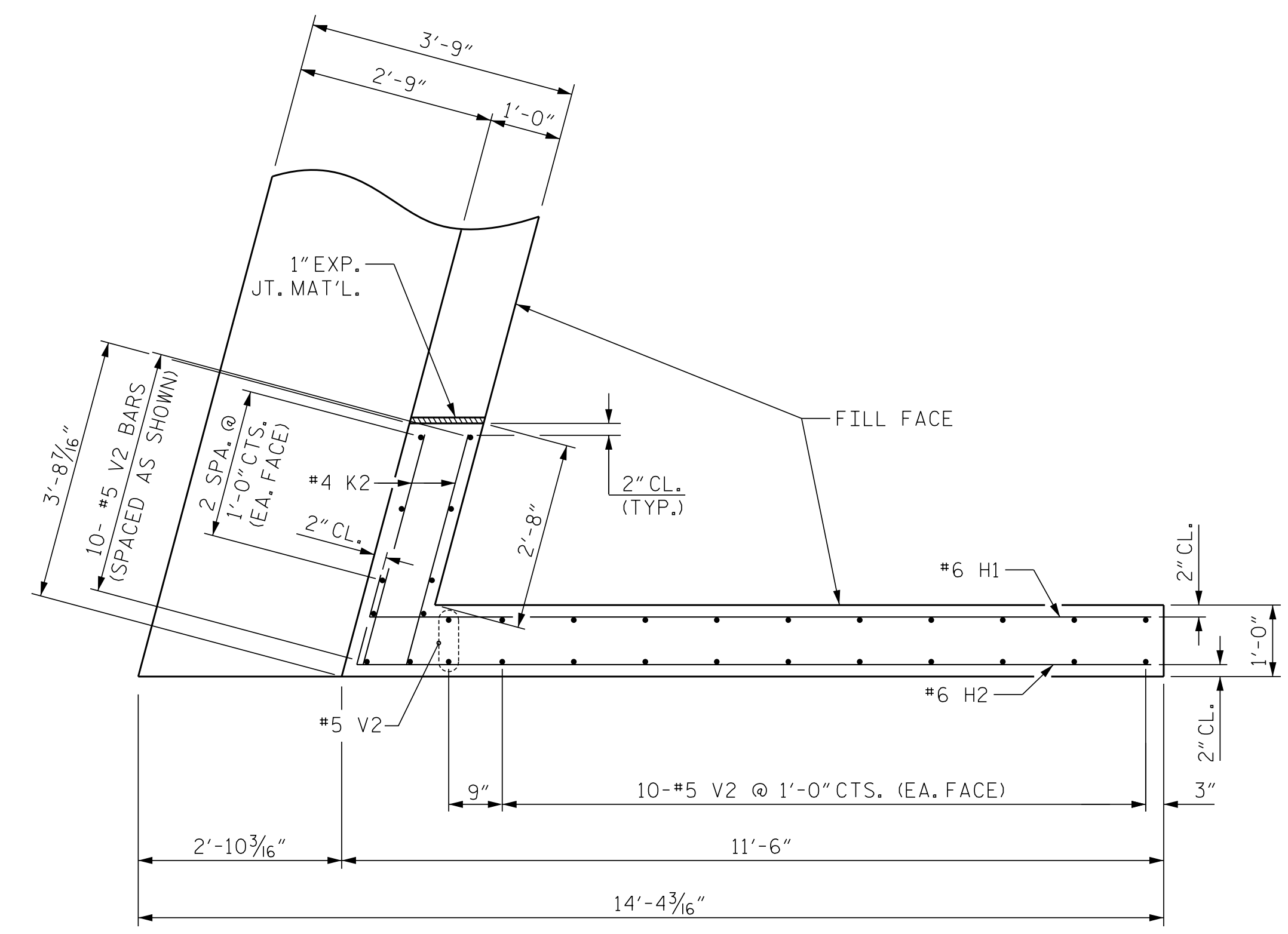
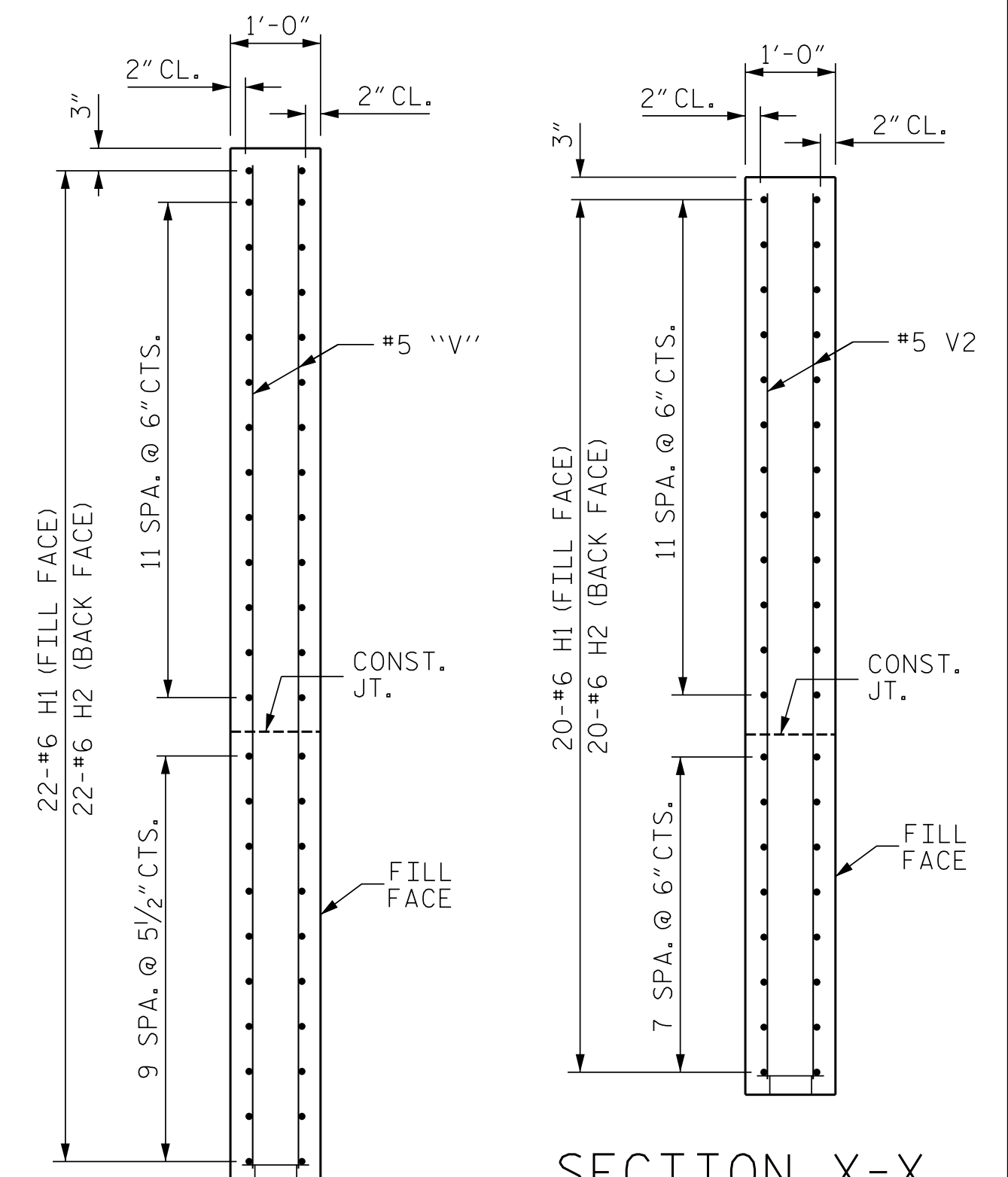


PLAN OF WING (W3)

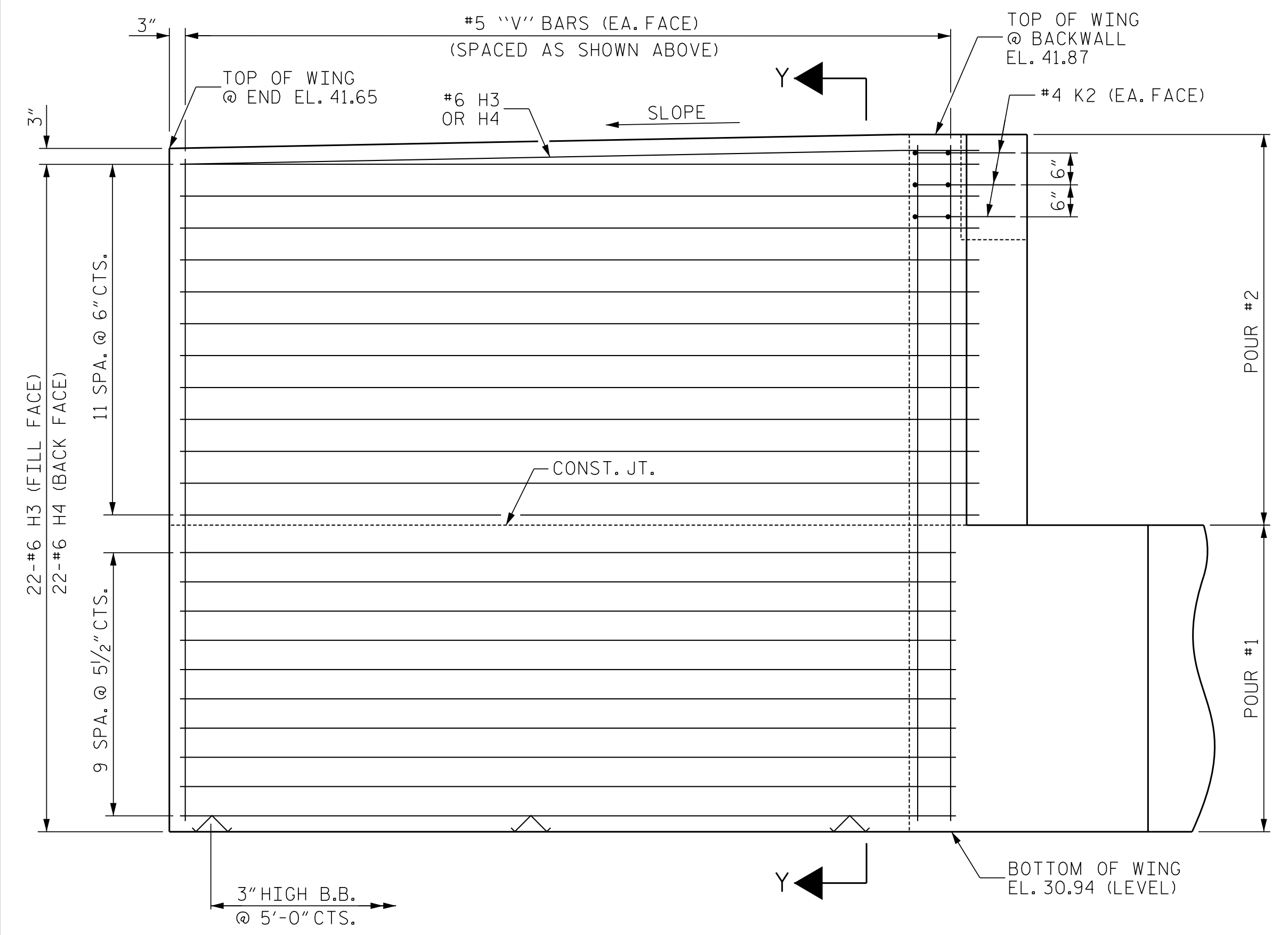


PLAN OF WING (W4)

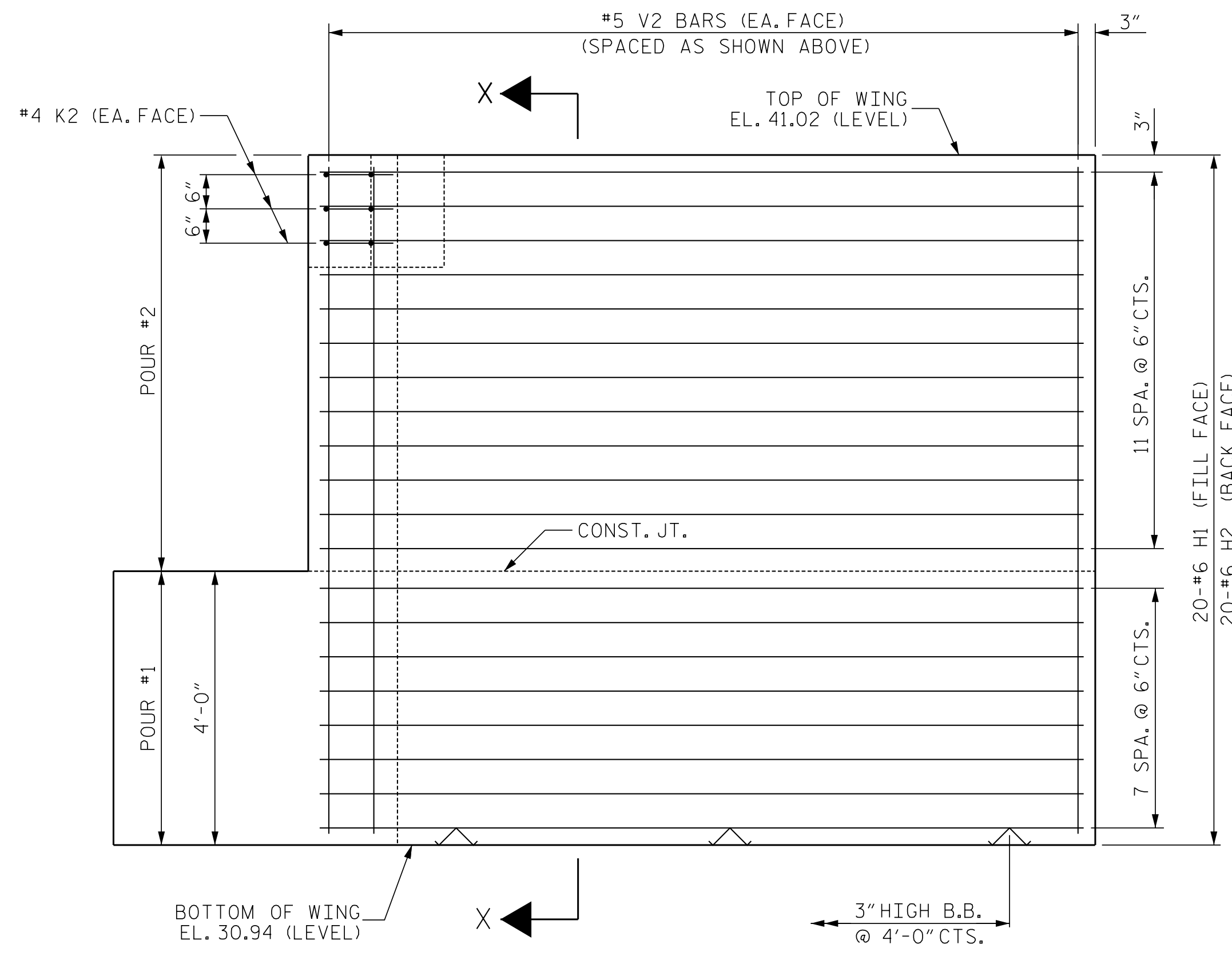


SECTION Y-Y

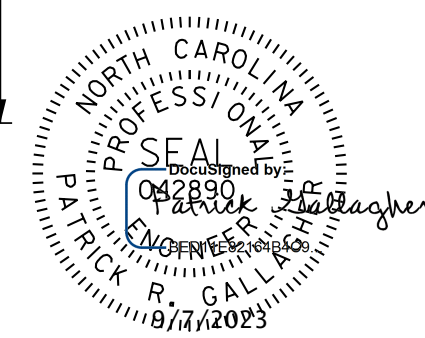
SECTION X-X



ELEVATION OF WING (W3)



ELEVATION OF WING (W4)



PROJECT NO. B-4926
 LENOIR COUNTY
 STATION: 25+45.00 -L-
 SHEET 2 OF 3

STATE OF NORTH CAROLINA
 DEPARTMENT OF TRANSPORTATION
 RALEIGH

SUBSTRUCTURE
 END BENT NO. 2
 WING DETAILS

DWN. BY: WDC DATE: 03/2023
 CHKD. BY: PRG DATE: 03/2023
 DES. EGR. OF RECORD: PRG DATE: 03/2023

**DOCUMENT NOT CONSIDERED FINAL
 UNLESS ALL SIGNATURES COMPLETED**

JMT Johnson, Mirmiran, & Thompson Inc.
 4700 Falls of Neuse Rd, Suite 100,
 Raleigh, NC, 27609
 License No: C-3097

REVISIONS						SHEET NO.
NO.	BY:	DATE:	NO.	BY:	DATE:	S1-45
1			3			TOTAL SHEETS
2			4			49

W:\Projects\2023\0317-01 - B-4926 Lenoir 20 - 83A Structures\Lenoir 20\Drawings\0317-01_B-4926_S1U1.E202_045.dgn
 DATE: 03/13 PM on Wednesday, September 06, 2023