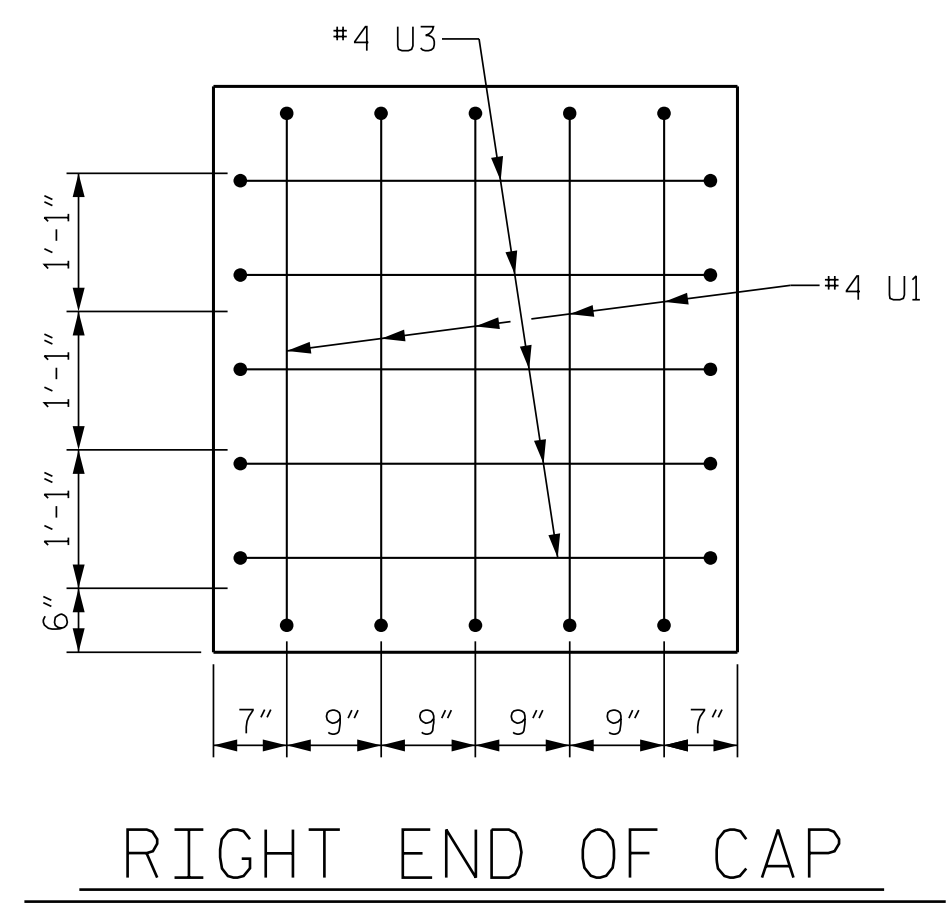
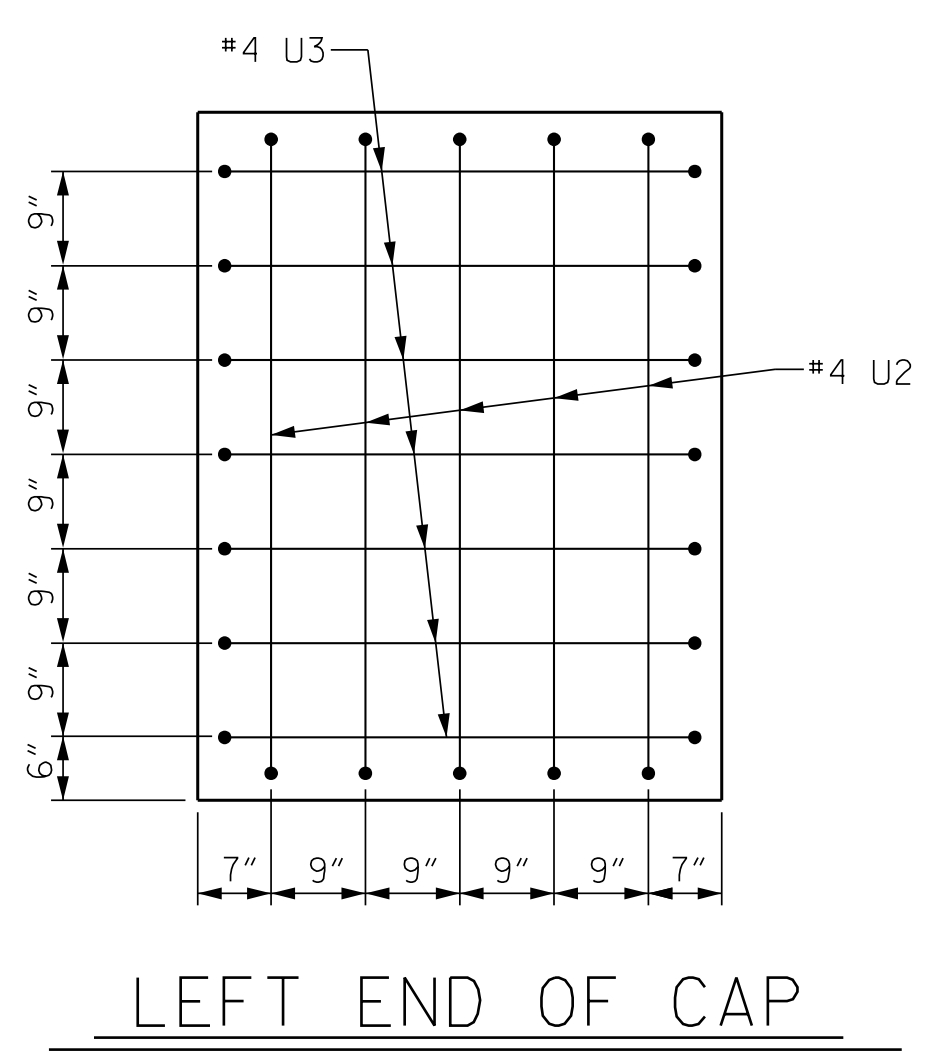
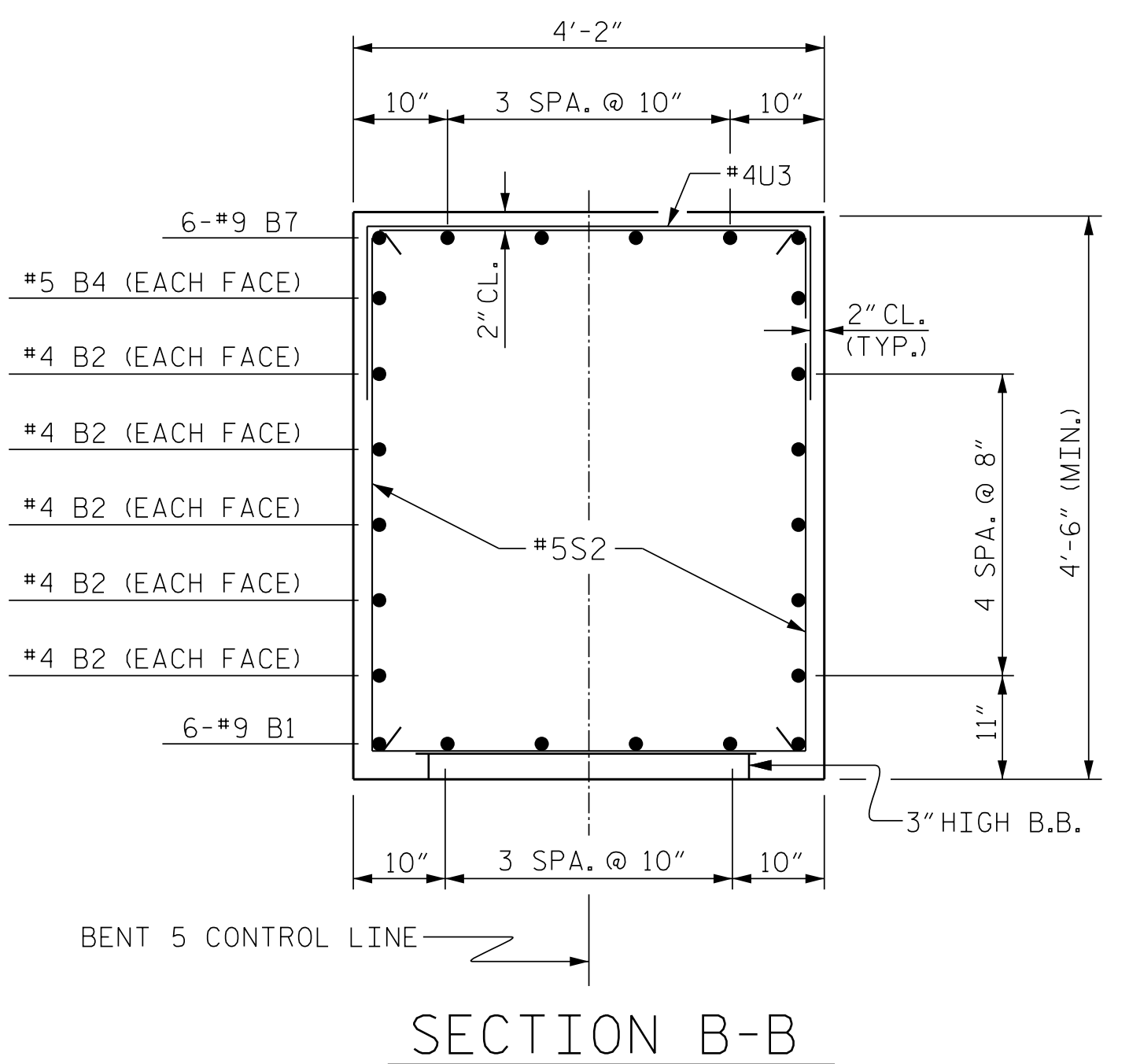
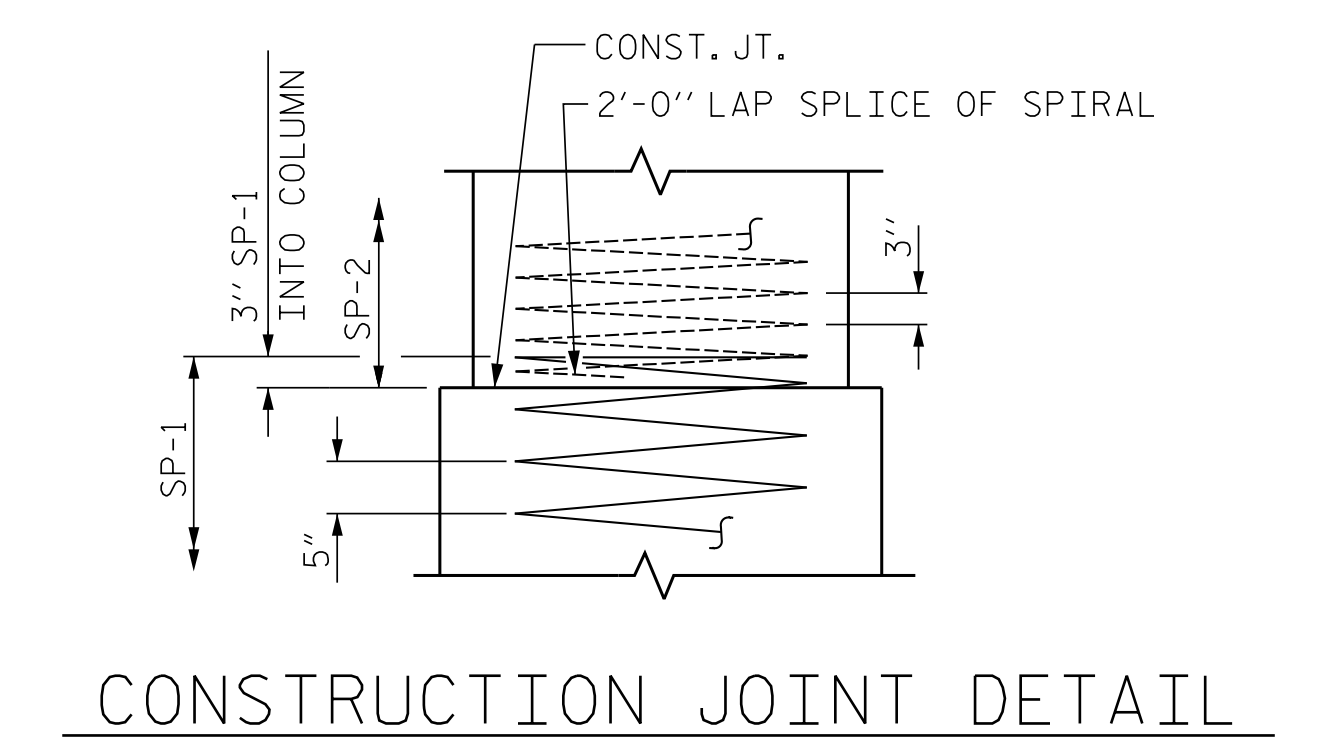
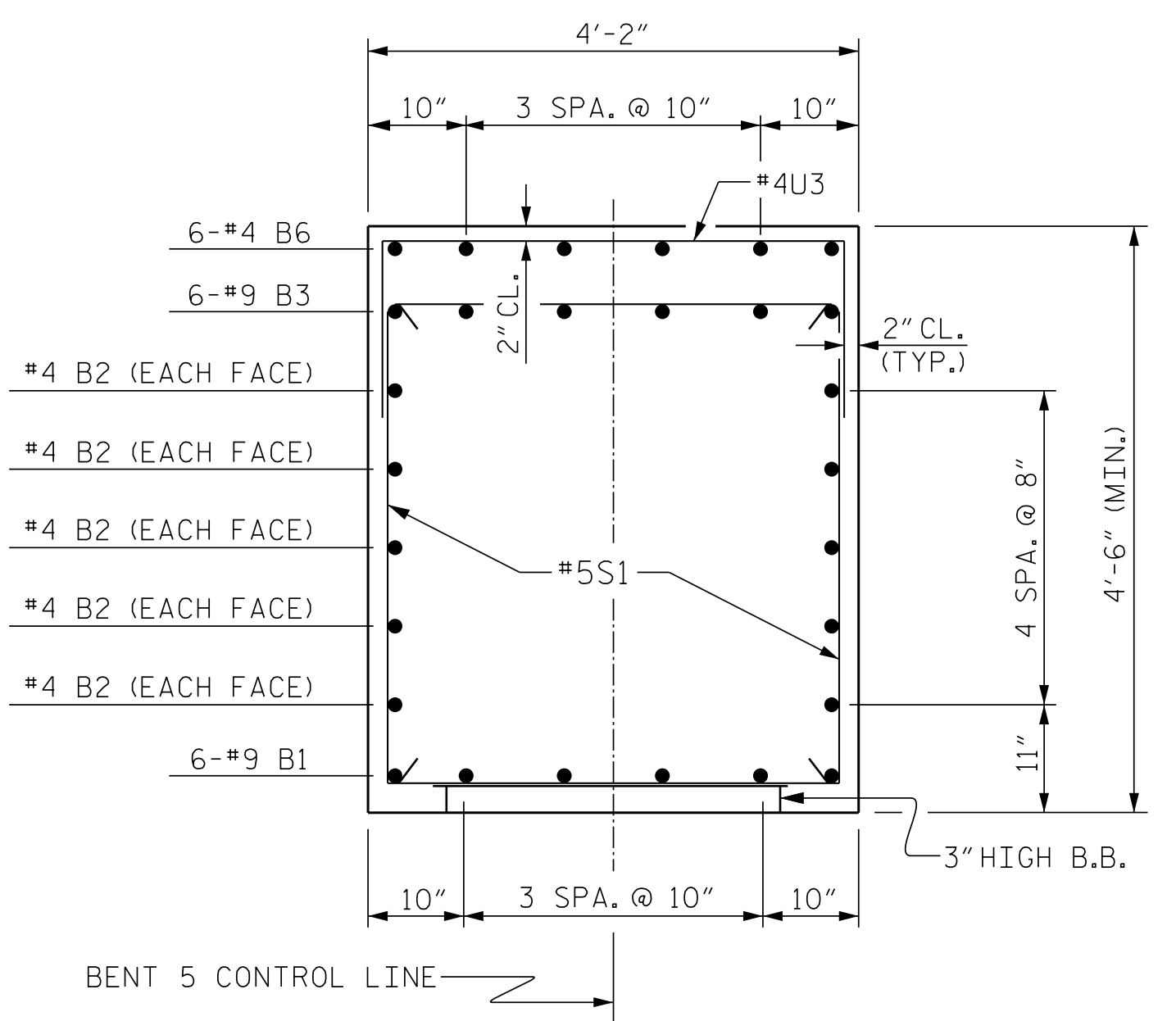
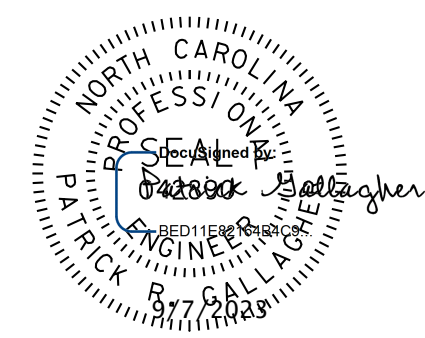


BILL OF MATERIAL					
BENT NO. 5					
BAR	NO.	SIZE	TYPE	LENGTH	WEIGHT
B1	6	#9	STR	34'-6"	704
B2	10	#4	STR	34'-6"	230
B3	6	#9	1	29'-4"	598
B4	2	#4	STR	8'-10"	12
B5	2	#4	STR	3'-10"	5
B6	6	#4	STR	10'-6"	42
B7	6	#9	1	12'-11"	263
M1	96	#11	1	44'-10"	22,867
S1	27	#5	2	13'-0"	366
S2	19	#5	2	14'-2"	281
U1	5	#4	3	7'-1"	24
U2	5	#4	3	8'-0"	27
U3	47	#4	3	6'-10"	215
V1	48	#9	1	19'-2"	3128
REINFORCING STEEL				28,762 LBS.	
SP-1	3	**	4	1842'-6"	5765
SP-2	3	*	5	662'-11"	1328
SPIRAL COLUMN REINFORCING STEEL				7,093 LBS.	
** THE SP-1 SPIRAL REINFORCING STEEL SHALL BE W31 OR D-31 COLD DRAWN WIRE OR #5 PLAIN OR DEFORMED BAR					
* THE SP-2 SPIRAL REINFORCING STEEL SHALL BE W20 OR D-20 COLD DRAWN WIRE OR #4 PLAIN OR DEFORMED BAR					
CLASS A CONCRETE BREAKDOWN					
POUR #2 (COLUMNS)				17.4 C.Y.	
POUR #3 (CAP)				26.1 C.Y.	
TOTAL CLASS A CONCRETE				43.5 C.Y.	
DRILLED PIERS:					
DRILLED PIER CONCRETE POUR #1 (DRILLED PIERS)				108.9 C.Y.	



PROJECT NO. B-4926  
LENOIR COUNTY  
 STATION: 25+45.00 -L-  
 SHEET 2 OF 2



STATE OF NORTH CAROLINA  
 DEPARTMENT OF TRANSPORTATION  
 RALEIGH  
 SUBSTRUCTURE  
 BENT NO. 5

**DOCUMENT NOT CONSIDERED FINAL  
 UNLESS ALL SIGNATURES COMPLETED**

**JMT** Johnson, Mirmiran, & Thompson Inc.  
 4700 Falls of Neuse Rd, Suite 100,  
 Raleigh, NC, 27609  
 License No: C-3097

REVISIONS						SHEET NO.
NO.	BY:	DATE:	NO.	BY:	DATE:	S1-43
1			3			TOTAL SHEETS
2			4			49

DWG: JMT/Structures/0317-01 - B-4926 Lenoir 20 & 3A Structures/Lenoir 20/01/rev/01/08T\_B4926\_5MUL\_B502\_C43.dgn  
 TIME: 01:33 PM on Wednesday, September 06, 2023

DWN. BY: WDC DATE: 03/2023  
 CHKD. BY: PRG DATE: 03/2023  
 DES. EGR. OF RECORD: PRG DATE: 03/2023