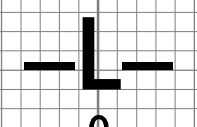
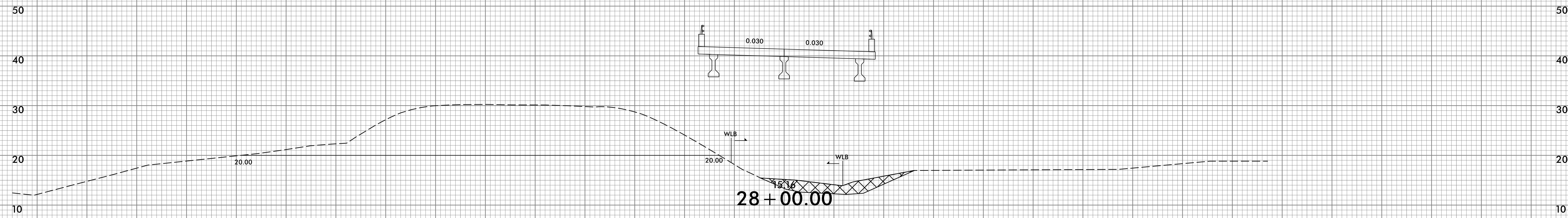
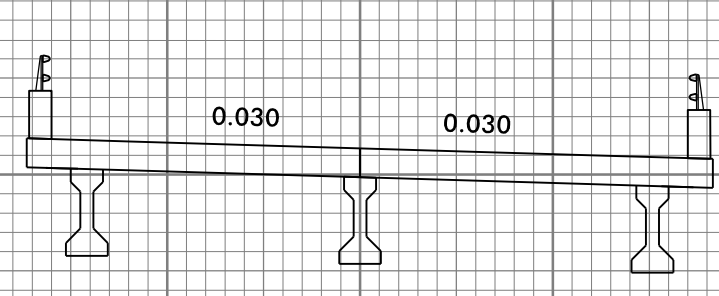
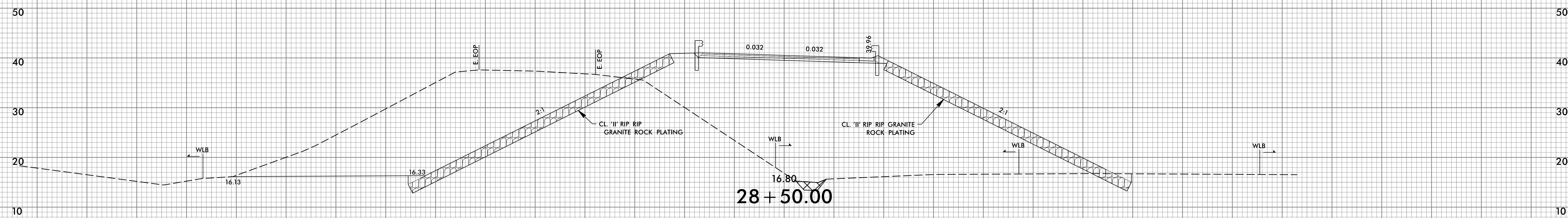
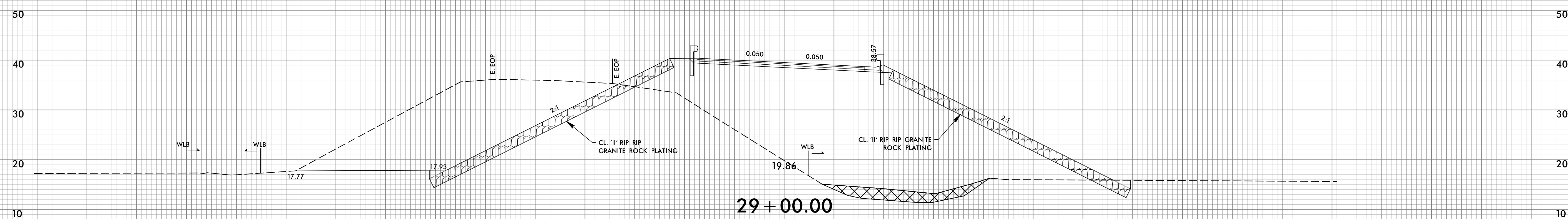


6/23/16

150 140 130 120 110 100 90 80 70 60 50 40 30 20 10 0 10 20 30 40 50 60 70 80 90 100 110 120 130 140 150



UNDERCUT EXCAVATION

1/23/2024
X:\SCB-4926_Redux\PL-L.dgn
USF\daer-dne

150 140 130 120 110 100 90 80 70 60 50 40 30 20 10 0 10 20 30 40 50 60 70 80 90 100 110 120 130 140 150