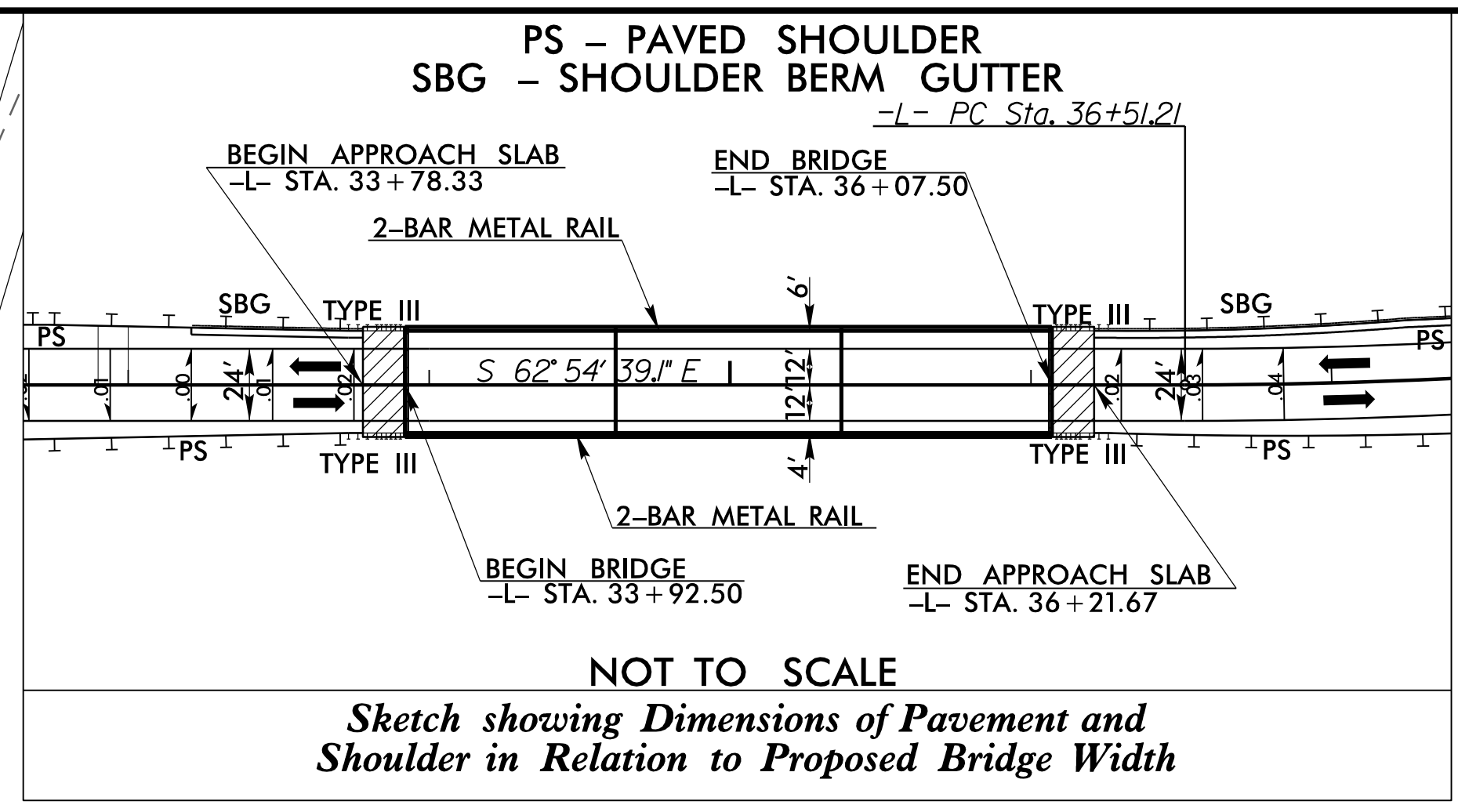


8/17/99  
 2/7/2024 B-4926\_Rdy\_psh5.dgn  
 I:\STANDARD



**NOT TO SCALE**  
 Sketch showing Dimensions of Pavement and  
 Shoulder in Relation to Proposed Bridge Width

-L-		
PI Sta 30+02.07	PI Sta 37+86.49	PI Sta 40+56.55
$\Delta = 10' 38' 32.4''$ (RT)	$\Delta = 8' 30' 06.8''$ (LT)	$\Delta = 8' 30' 06.8''$ (RT)
$D = 3' 08' 53.2''$	$D = 3' 08' 53.2''$	$D = 3' 08' 53.2''$
$L = 338.05'$	$L = 270.06'$	$L = 270.06'$
$T = 169.51'$	$T = 135.28'$	$T = 135.28'$
$R = 1,820.00'$	$R = 1,820.00'$	$R = 1,820.00'$
$SE = .07$	*SE = SEE PLANS	*SE = SEE PLANS
$RO = 189'$		

\*DESIGN EXCEPTION REQUIRED FOR SUPERELEVATION.

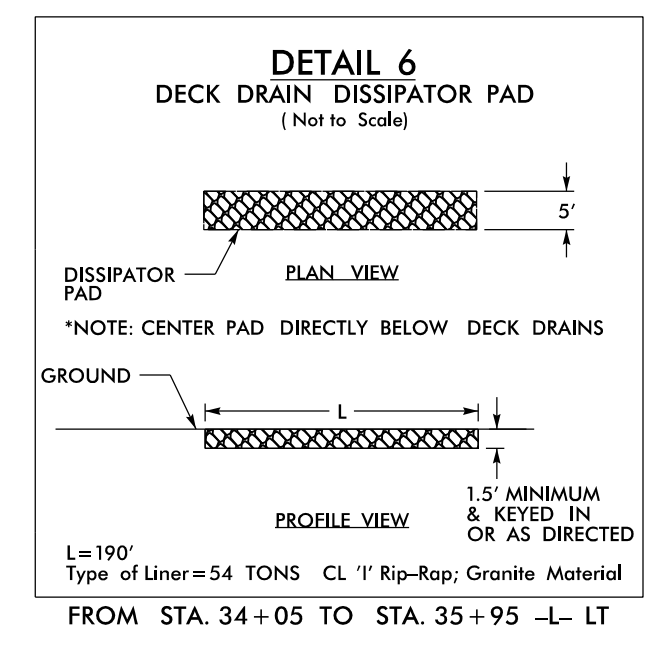
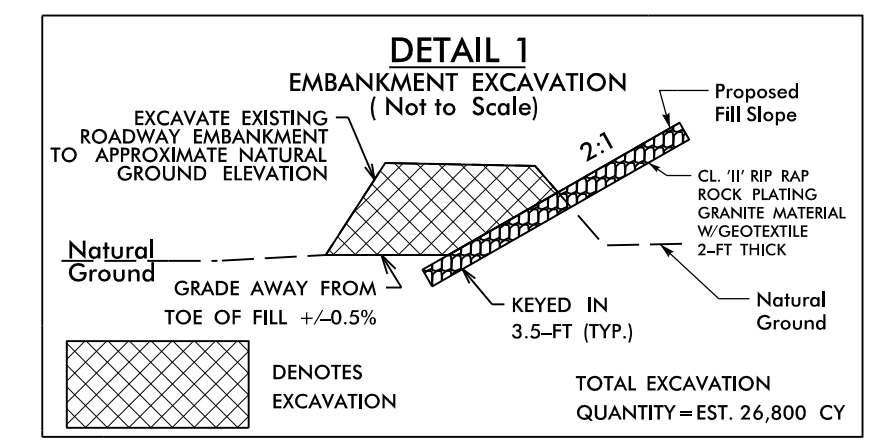
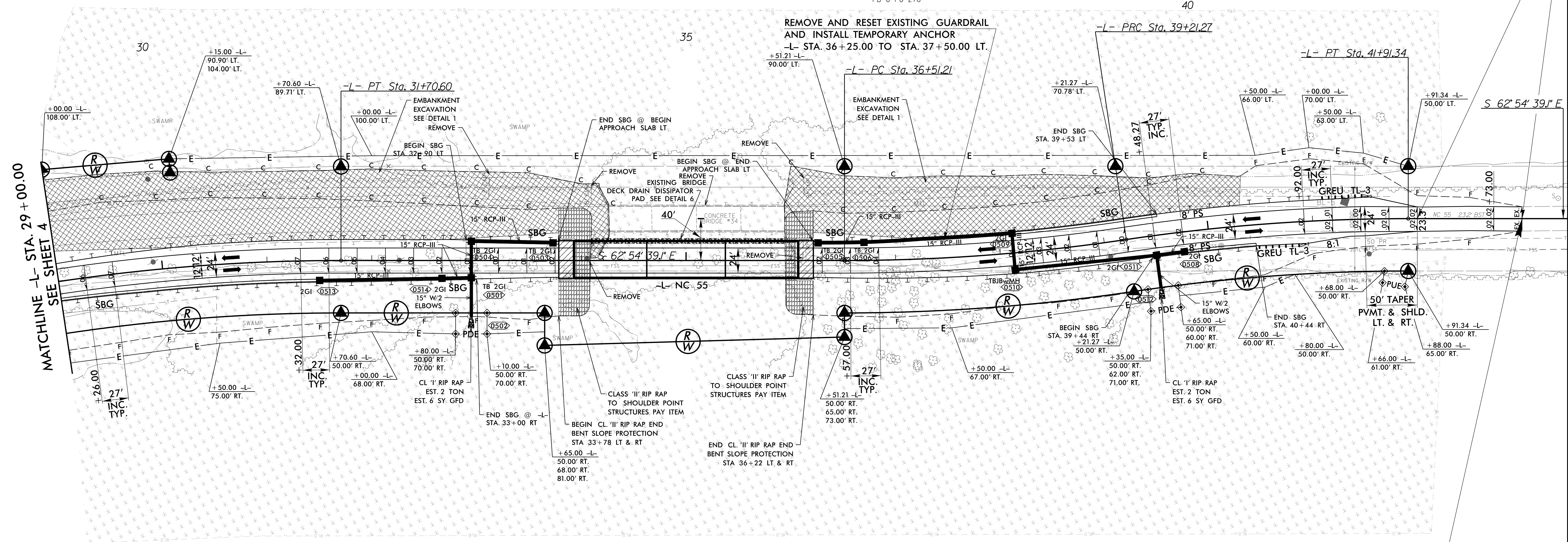
NOTE: ALL RIP RAP TO BE GRANITE MATERIAL

**TRANSYSTEMS**

1 Glenwood Avenue  
Raleigh, NC 27603  
Tel: 919.789.9977  
Fax: 919.789.9561  
License: F-0453

PROJECT REFERENCE NO. B-4926	SHEET NO. 5
RW SHEET NO.	
ROADWAY DESIGN ENGINEER	HYDRAULICS ENGINEER
DocuSign Daniel W. Gardner, Jr.	DocuSign Andrew M. Howell

**DOCUMENT NOT CONSIDERED FINAL UNLESS ALL SIGNATURES COMPLETED**



4  
 CONSERVATION EASEMENT  
 NORTH CAROLINA HABITAT FOUNDATION  
 MARK T. SCHOLER  
 DB 1408 PG 452  
 DB 1489 PG 253  
 DB 1572 PG 534  
 PB 9 PG 356

PROVIDE CLASS 'II' RIP RAP ROCK PLATING (GRANITE) ON ALL SLOPES STEEPER THAN 3:1 OR AS INDICATED ON THE PLANS. 2-FT THICK TO SHOULDER POINT. REFER TO STANDARD ROCK PLATING DETAIL (STD 275.01)

NOTE: GUARDRAIL TRANSITIONS WITH A 50:1 TAPER TO MATCH BRIDGE OFFSETS. SEE TMP PLANS FOR SHORING LOCATIONS.

SEE SHEET 6 FOR -L- PROFILE  
SEE SHEETS S2-1 THRU S2-39 FOR STRUCTURE PLANS