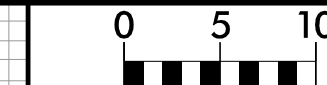


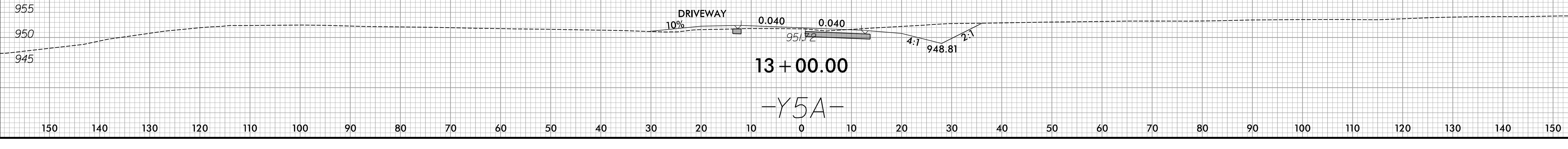
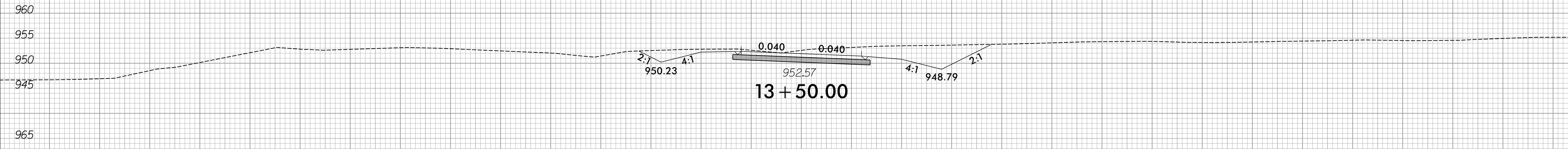
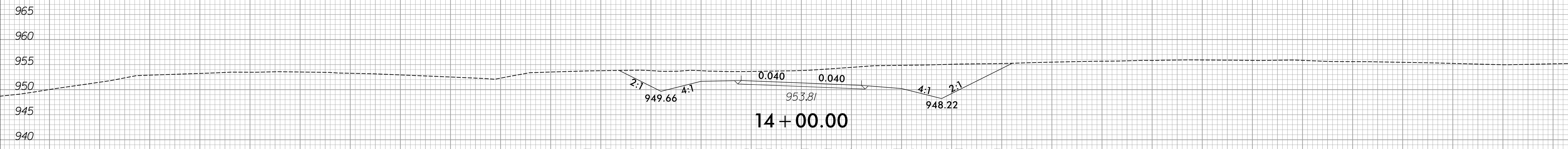
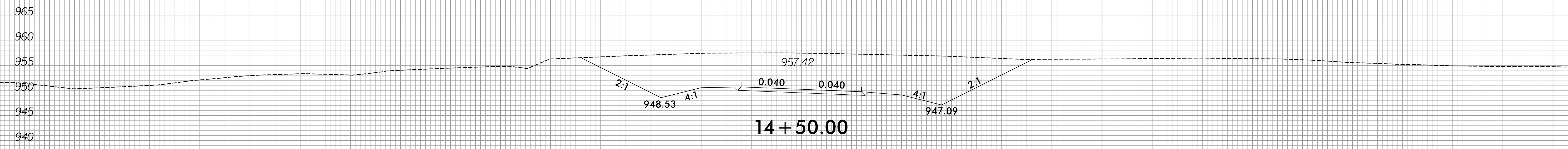
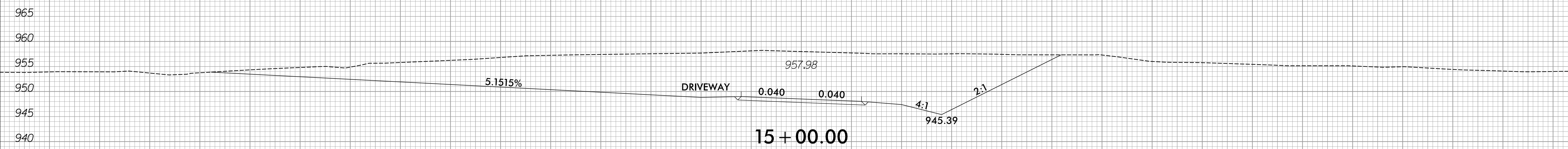
6/23/16



PROJ. REFERENCE NO.  
R-2577A

SHEET NO.  
X-281

150 140 130 120 110 100 90 80 70 60 50 40 30 20 10 0 10 20 30 40 50 60 70 80 90 100 110 120 130 140 150



150 140 130 120 110 100 90 80 70 60 50 40 30 20 10 0 10 20 30 40 50 60 70 80 90 100 110 120 130 140 150

12/2/2023  
R:\Roadway\XSC\R-2577A\_Rdu\_xpl\_Y5A.dgn  
amcpherson