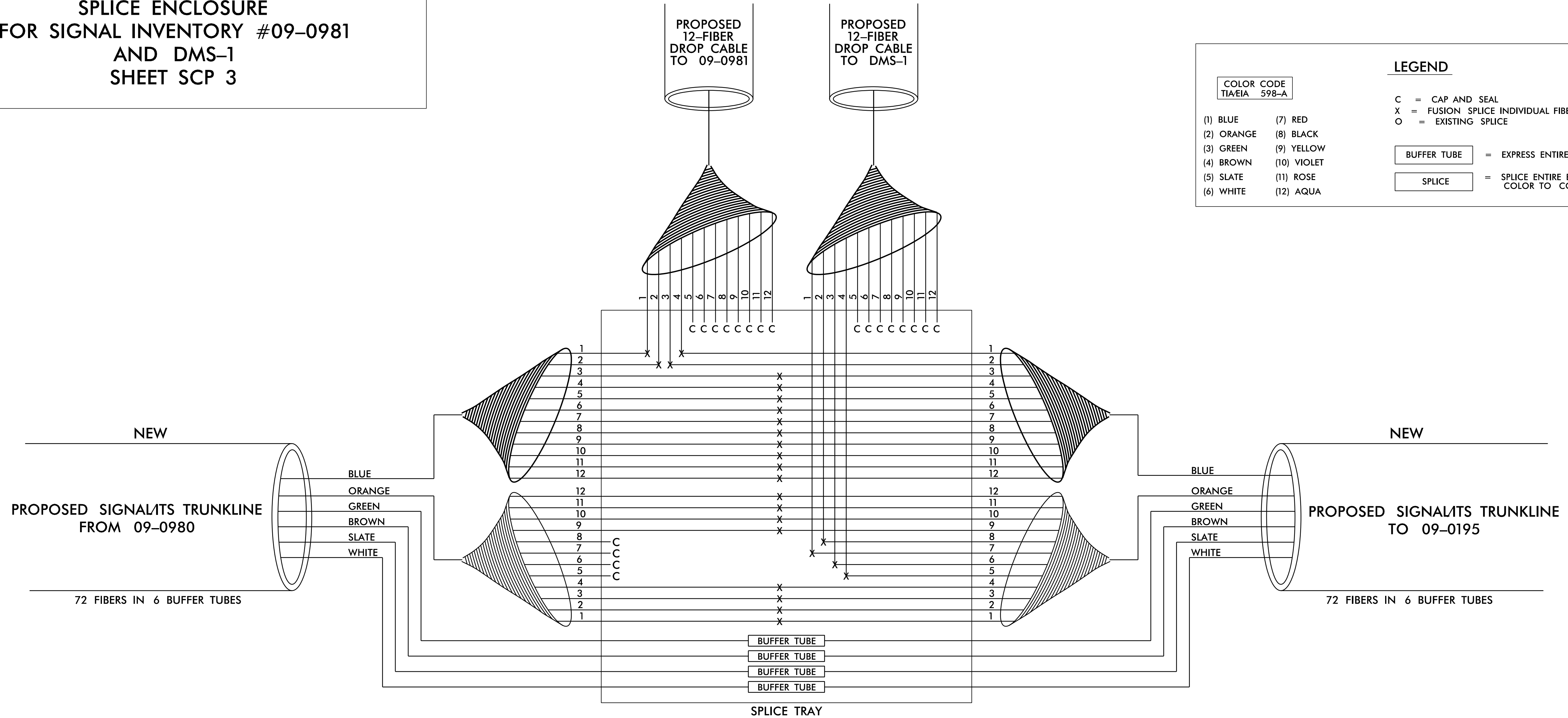


**SPLICE ENCLOSURE
FOR SIGNAL INVENTORY #09-0981
AND DMS-1
SHEET SCP 3**

FIBER OPTIC CABLE

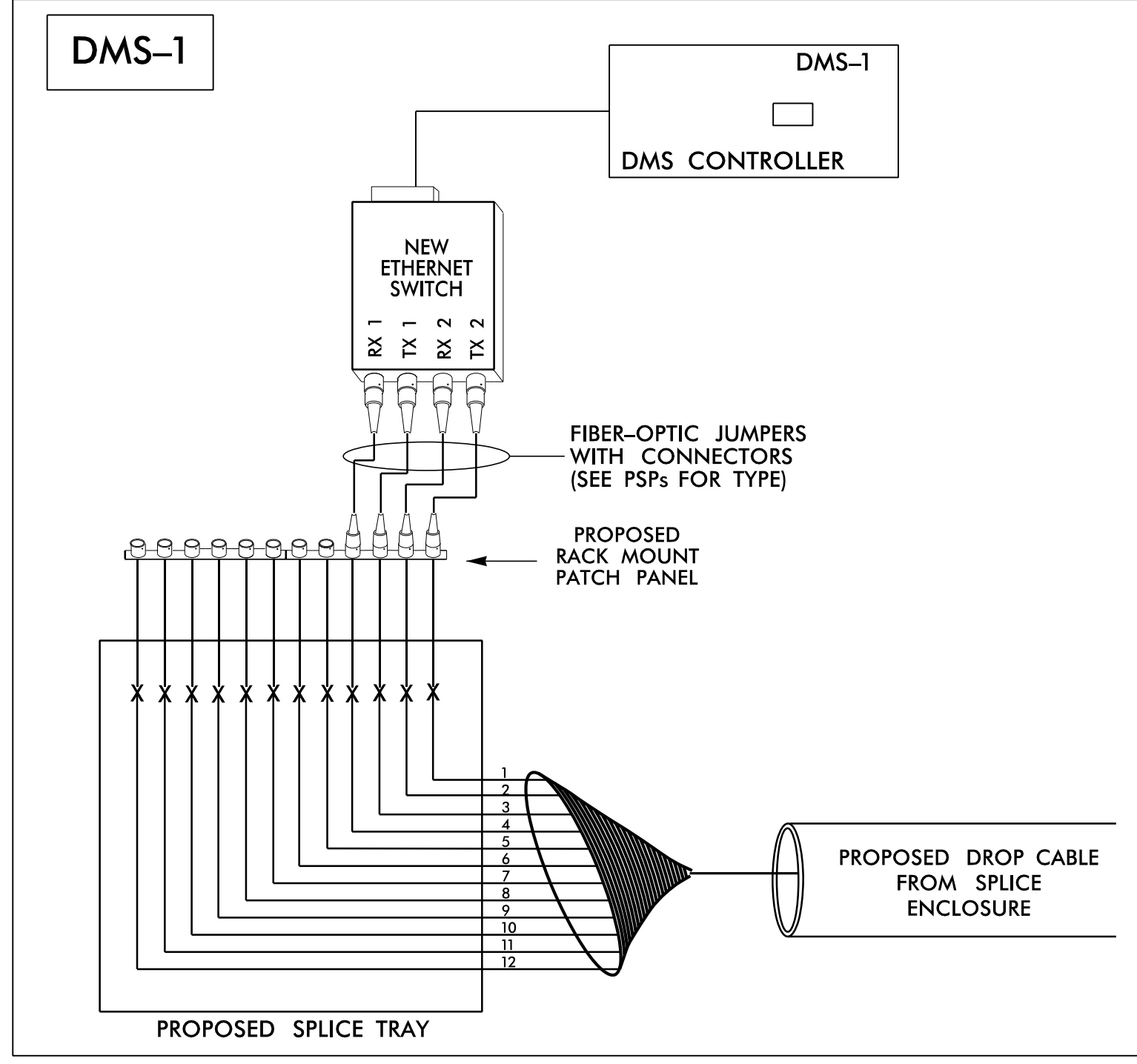
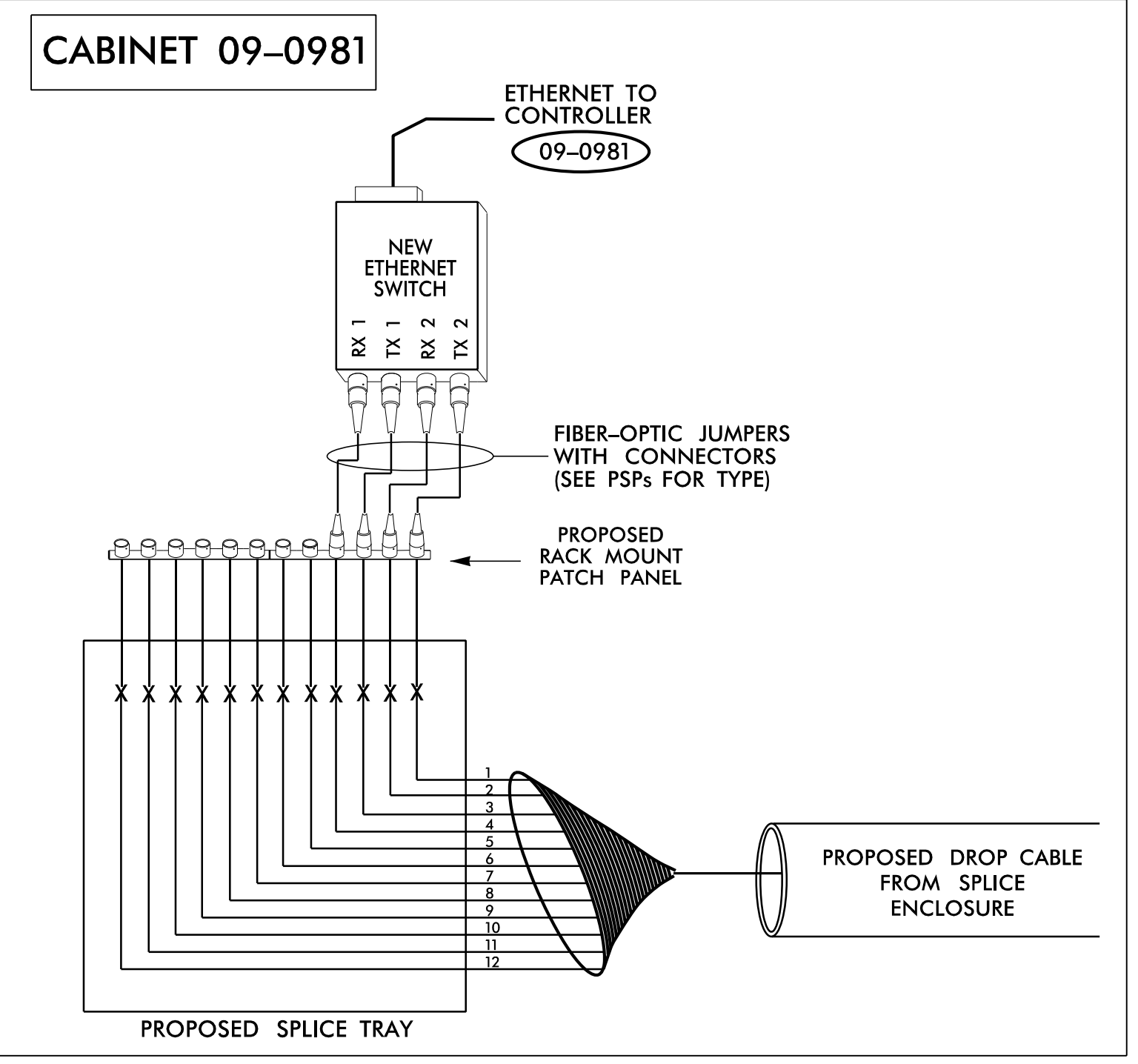


COLOR CODE
TIA/EIA 598-A

- (1) BLUE
- (2) ORANGE
- (3) GREEN
- (4) BROWN
- (5) SLATE
- (6) WHITE
- (7) RED
- (8) BLACK
- (9) YELLOW
- (10) VIOLET
- (11) ROSE
- (12) AQUA

LEGEND

- C = CAP AND SEAL
- X = FUSION SPLICE INDIVIDUAL FIBER
- O = EXISTING SPLICE
- = EXPRESS ENTIRE BUFFER TUBE
- = SPLICE ENTIRE BUFFER TUBE COLOR TO COLOR



NOTES:

- FIBER INTERCONNECT CENTER RACKS ARE SCHEMATIC ONLY, ACTUAL EQUIPMENT FORM MAY VARY.
 - UNUSED FIBERS LEFT COILED AND STORED IN SPLICE TRAY.
 - UNUSED BUFFER TUBES LEFT COILED AND STORED IN SPLICE TRAY.
 - ETHERNET SWITCH TERMINATION CONFIGURATIONS ARE GENERIC. CONTRACTOR IS RESPONSIBLE FOR DETERMINING /ENSURING PROPER TERMINATION.
 - INCLUDE ON THE COVER OF EACH SPLICE TRAY THE FOLLOWING:
 - SPLICE
 - DATE
 - COMPANY NAME
 - NAME OF INDIVIDUAL PERFORMING THE SPLICING
- PRIOR TO INSTALLING THE COVER ON THE SPLICE TRAY, TAKE A DIGITAL PHOTOGRAPH SHOWING THE SPLICE TRAY AND INFORMATION SHOWN ABOVE (1-4) AND SUBMIT PHOTOGRAPH ALONG WITH OTRD TEST RESULTS TO THE ENGINEER.

**DOCUMENT NOT CONSIDERED FINAL
UNLESS ALL SIGNATURES COMPLETED**

<p>Prepared for the Offices of:</p>	SPLICE DETAILS		<p>Winston-Salem/ Walkertown</p>								
	<p>Division 09 Forsyth County</p> <p>PLAN DATE: February 2024</p> <p>PREPARED BY: Haylee Townsend</p>	<p>REVIEWED BY: Porter Erickson-Jones</p> <p>REVIEWED BY:</p>		<p>SCALE</p> <p>N/A</p>							
<p>REVISIONS</p> <table border="1"> <thead> <tr> <th>NO.</th> <th>DESCRIPTION</th> <th>INIT.</th> <th>DATE</th> </tr> </thead> <tbody> <tr> <td> </td> <td> </td> <td> </td> <td> </td> </tr> </tbody> </table>		NO.	DESCRIPTION	INIT.	DATE					<p>DocuSigned by: <i>Porter Jones</i> 2/12/2024</p>	
NO.	DESCRIPTION	INIT.	DATE								

Engineers | Construction Managers | Planners | Scientists
www.rkk.com
Responsive People | Creative Solutions

2/12/2024
 R:\Projects\09-0981\09-0981\09-0981\09-0981\SCP-3.dgn
 W:\Jones