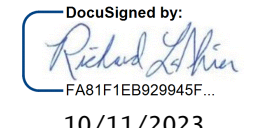

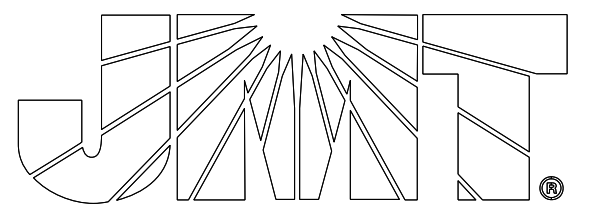
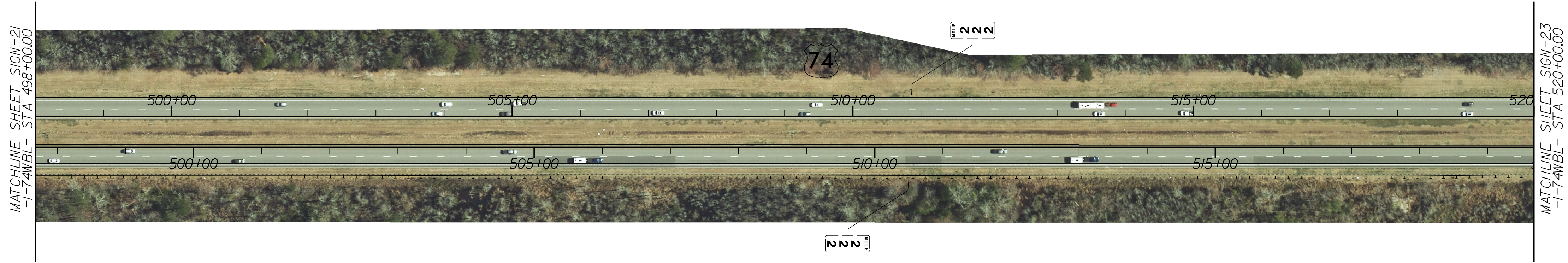
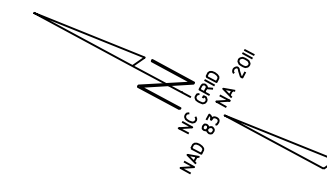


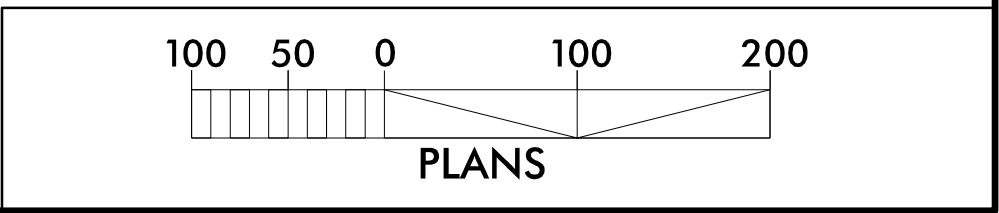
8/17/99

PROJECT REFERENCE NO. <i>HI-0016</i>	SHEET NO. <i>SIGN-22</i>
DocuSigned by:  FAB1F1EB929945F 10/11/2023	
	
	


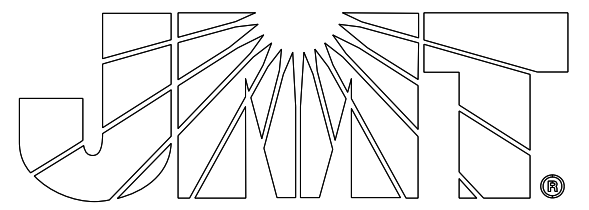
NO SIGNING WORK
THIS SHEET



9/13/2023
User: RLaster



8/17/99

PROJECT REFERENCE NO. <i>HI-0016</i>	SHEET NO. <i>SIGN-23</i>
DocuSigned by: <i>Richard D. Laster</i> SEAL 047118 10/11/2023 	
	

NO SIGNING WORK
THIS SHEET

