
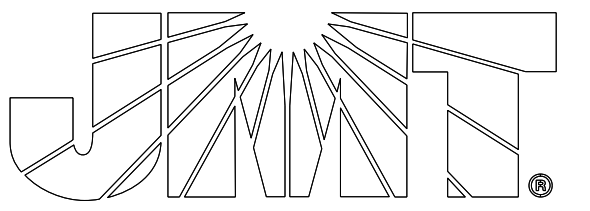


STATE OF NORTH CAROLINA  
DEPARTMENT OF TRANSPORTATION

PROJECT REFERENCE NO. <i>HI-0016</i>	SHEET NO. <i>SIGN-1</i>
DocuSigned by: <i>Richard D. Lasher</i> CAPS0BC928F4E2	
2/13/2024   3:23:27 AM EST	
	

# SIGNING PLAN ROBESON COUNTY

**LOCATION: I-74 1 MILE EAST OF NC 41 TO LUMBER RIVER BRIDGES**

### ROADWAY STANDARD DRAWING

THE FOLLOWING ROADWAY STANDARDS AS APPEAR IN "ROADWAY STANDARD DRAWINGS" - PROJECT SERVICES UNIT - N.C. DEPARTMENT OF TRANSPORTATION - RALEIGH, N.C., DATED JANUARY 2024 ARE APPLICABLE TO THIS PROJECT AND BY REFERENCE HEREBY ARE CONSIDERED A PART OF THESE PLANS:

STD. NO.	TITLE
901.50	ARROWS AND SHIELDS
904.10	ORIENTATION OF GROUND MOUNTED SIGNS
904.50	MOUNTING OF TYPE 'D', 'E', AND 'F' SIGNS ON 'U' CHANNEL SUPPORTS

### GENERAL NOTES

- SIGNS FURNISHED BY STATE
- CONFIRM IN WRITING AT LEAST 4 MONTHS IN ADVANCE, THE ACTUAL DATE THE DEPARTMENT FURNISHED SIGNS WILL BE REQUIRED.
- ALL TYPE 'D' SIGNS SHALL BE MOUNTED ON TWO U-CHANNEL POSTS UNLESS OTHERWISE INDICATED ON THE PLANS.
- WHEN NOT STATIONED OR DIMENSIONED ON PLANS, ALL 'E' AND 'F' SIGNS SHALL BE FIELD LOCATED BY THE ENGINEER
- WHEN EXISTING SIGNS ARE REMOVED AND INSTALLED ON NEW SUPPORTS, THE RE-ERECTION SHALL IMMEDIATELY FOLLOW THE REMOVAL.
- THE BACKGROUND FOR TYPE E & F SIGNS SHALL BE TYPE C REFLECTIVE SHEETING.
- SIGNING PLANS DO NOT INCLUDE TEMPORARY CONSTRUCTION SIGNING, SEE TRAFFIC CONTROL PLANS. SEE PAVEMENT MARKING PLAN FOR PAVEMENT MARKING DESIGN.
- ALL SIGNS SHOWN ARE EXISTING AND SHALL REMAIN UNLESS OTHERWISE SPECIFIED BY PLAN NOTES.

### SUMMARY OF QUANTITIES

ITEM NO.	DESC. NO.	SECT. NO.	ITEM DESCRIPTION	QUANTITY	UNIT
	4072000000-E	903	SUPPORTS, 3 LB STEEL U CHANNEL	250	LF
	4096000000-N	904	SIGN ERECTION TYPE D	3	EA
	4102000000-N	904	SIGN ERECTION TYPE E	4	EA
	4108000000-N	904	SIGN ERECTION TYPE F	1	EA
	4155000000-N	907	DISPOSAL OF SIGN SYSTEM, U-CHANNEL	4	EA

### PAY ITEM NOTES

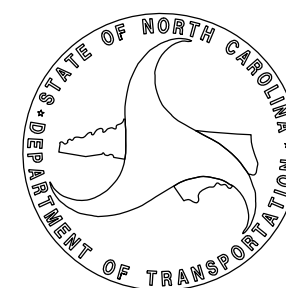
- 1 DISPOSAL OF SIGN AND SIGN ERECTION, ALL SIGNS TYPE D, E, AND F
- 2 SIGN ERECTION, TYPE E

### INDEX

SHEET NO.	DESCRIPTION
SIGN-1	TITLE SHEET
SIGN-2	TYPE E AND F SIGNS
SIGN-3	TYPE D SIGNS
SIGN-4-19	NO SIGNING WORK PROPOSED (EXCLUDED FROM PLAN SET)
SIGN-20-27	SIGNING PLAN SHEET

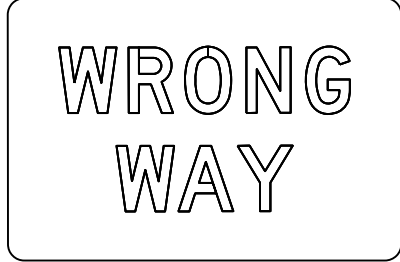
**PLAN SUBMITTED TO: NCDOT SIGNING AND DELINEATION UNIT**

MITCH EATON, PE	SIGNING & DELINEATION REGIONAL ENGINEER
STACEY JOHNS	SIGNING & DELINEATION PROJECT DESIGN ENGINEER



8/17/99  
2/13/2024  
G:\201\1900765-002\_HI-0016\_US-74\_From\_E\CADD\HI-0016\Traffic\Signing\HI-0016\_SIGN\_01.dgn  
User: RLasher

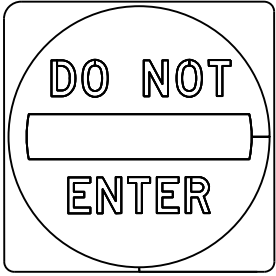
**401**      **QUANTITY REQ'D 3**



42" X 30"  
R5-1a

TWO "U" POST PER SIGN


**402**      **QUANTITY REQ'D 1**



36" X 36"  
R5-1

ONE "U" POST PER SIGN

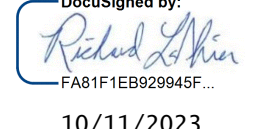

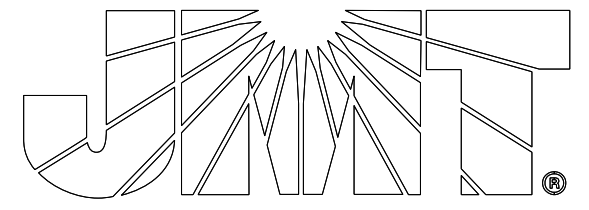
**503**      **QUANTITY REQ'D 1**



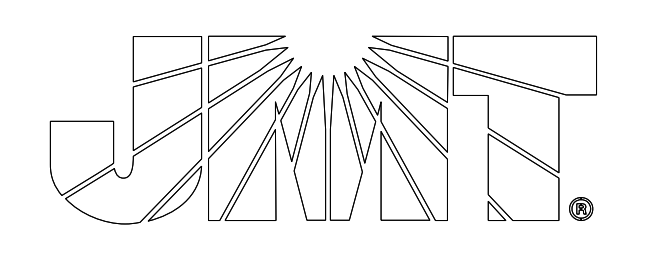
24" X 12"  
M3-2

24" X 24"  
M1-1

ONE "U" POST PER SIGN

PROJECT REFERENCE NO. <i>HI-0016</i>	SHEET NO. <i>SIGN-2</i>
DocuSigned by:  <small>FAB1F1EB929845F</small> 10/11/2023	
	
	

**TYPE "E" & "F" SIGNS**



<b>SIGN NUMBER:</b> 301 <b>TYPE:</b> D <b>QUANTITY:</b> 1 <b>SIGN WIDTH:</b> 5'-6" <b>HEIGHT:</b> 2'-6" <b>TOTAL AREA:</b> 13.8 Sq.Ft. <b>BORDER TYPE:</b> FLUSH <b>RECESS:</b> 0" <b>WIDTH:</b> 0.75" <b>RADII:</b> 1.88" <b>NO. Z BARS:</b> <b>LENGTH:</b>	<b>BACKG COLOR:</b> Green <b>COPY COLOR:</b> White <table border="1"> <thead> <tr> <th>SYMBOL</th> <th>X</th> <th>Y</th> <th>WID</th> <th>HT</th> </tr> </thead> <tbody> <tr> <td>AR_Type D</td> <td>7.8</td> <td>17.8</td> <td>6</td> <td>9</td> </tr> <tr> <td>AR_Type D</td> <td>6.3</td> <td>4.7</td> <td>6</td> <td>9</td> </tr> </tbody> </table>	SYMBOL	X	Y	WID	HT	AR_Type D	7.8	17.8	6	9	AR_Type D	6.3	4.7	6	9	<b>DESIGN BY:</b> none <b>PROJECT ID:</b> ID <b>CHECKED BY:</b> <b>LOCATION:</b> <b>Nov 11, 2022</b> <b>DIV: DIV</b>
SYMBOL	X	Y	WID	HT													
AR_Type D	7.8	17.8	6	9													
AR_Type D	6.3	4.7	6	9													

USE NOTES:  
 1. Legend and border(except those that are colored black) shall be direct applied Grade C sheeting.  
 2. Background shall be Grade C reflective sheeting.  
 3. Shields; A, B, and C type arrows shall be on 0.032" (0.8mm) aluminum with Grade C reflective sheeting and demountable.

Spacing Factor is 1 unless specified otherwise

LETTER POSITIONS											Series/Size
Letter locations are panel edge to lower left corner											Text Length
W	h	i	t	e	v	i	l	i	e		D 2000
19.8	25.9	30.6	32.2	35	38.9	43.9	46.1	48.2	50.2		31.9
L	u	m	b	e	r	t	o	n			D 2000
21.3	25.7	30.5	37.6	41.9	46.3	48.7	51.5	56.2			38.4

FILENAME: Proposed signs NORTH CAROLINA D.O.T. SIGN DETAIL

<b>SIGN NUMBER:</b> 302 <b>TYPE:</b> D <b>QUANTITY:</b> 1 <b>SIGN WIDTH:</b> 5'-6" <b>HEIGHT:</b> 2'-6" <b>TOTAL AREA:</b> 13.8 Sq.Ft. <b>BORDER TYPE:</b> FLUSH <b>RECESS:</b> 0" <b>WIDTH:</b> 0.75" <b>RADII:</b> 1.88" <b>NO. Z BARS:</b> <b>LENGTH:</b>	<b>BACKG COLOR:</b> Green <b>COPY COLOR:</b> White <table border="1"> <thead> <tr> <th>SYMBOL</th> <th>X</th> <th>Y</th> <th>WID</th> <th>HT</th> </tr> </thead> <tbody> <tr> <td>AR_Type D</td> <td>7.3</td> <td>17.8</td> <td>6</td> <td>9</td> </tr> <tr> <td>AR_Type D</td> <td>47.5</td> <td>4.8</td> <td>6</td> <td>9</td> </tr> </tbody> </table>	SYMBOL	X	Y	WID	HT	AR_Type D	7.3	17.8	6	9	AR_Type D	47.5	4.8	6	9	<b>DESIGN BY:</b> none <b>PROJECT ID:</b> ID <b>CHECKED BY:</b> <b>LOCATION:</b> <b>Nov 11, 2022</b> <b>DIV: DIV</b>
SYMBOL	X	Y	WID	HT													
AR_Type D	7.3	17.8	6	9													
AR_Type D	47.5	4.8	6	9													

USE NOTES:  
 1. Legend and border(except those that are colored black) shall be direct applied Grade C sheeting.  
 2. Background shall be Grade C reflective sheeting.  
 3. Shields; A, B, and C type arrows shall be on 0.032" (0.8mm) aluminum with Grade C reflective sheeting and demountable.

Spacing Factor is 1 unless specified otherwise

LETTER POSITIONS											Series/Size
Letter locations are panel edge to lower left corner											Text Length
W	i	l	i	m	i	n	g	t	o	n	D 2000
19.3	25.4	27.6	29.8	36.8	39	43.4	47.7	50.5	55.1		39.4
F	a	i	r	m	o	n	t				D 2000
9.5	13.7	18.3	20.5	23.5	30.3	34.9	39.1				31.9

FILENAME: Proposed signs NORTH CAROLINA D.O.T. SIGN DETAIL

<b>SIGN NUMBER:</b> 303 <b>TYPE:</b> D <b>QUANTITY:</b> 1 <b>SIGN WIDTH:</b> 6'-0" <b>HEIGHT:</b> 2'-6" <b>TOTAL AREA:</b> 15.0 Sq.Ft. <b>BORDER TYPE:</b> FLUSH <b>RECESS:</b> 0" <b>WIDTH:</b> 0.75" <b>RADII:</b> 1.88" <b>NO. Z BARS:</b> <b>LENGTH:</b>	<b>BACKG COLOR:</b> Green <b>COPY COLOR:</b> White <table border="1"> <thead> <tr> <th>SYMBOL</th> <th>X</th> <th>Y</th> <th>WID</th> <th>HT</th> </tr> </thead> <tbody> <tr> <td></td> <td></td> <td></td> <td></td> <td></td> </tr> </tbody> </table>	SYMBOL	X	Y	WID	HT						<b>DESIGN BY:</b> none <b>PROJECT ID:</b> ID <b>CHECKED BY:</b> <b>LOCATION:</b> <b>Nov 11, 2022</b> <b>DIV: DIV</b>
SYMBOL	X	Y	WID	HT								

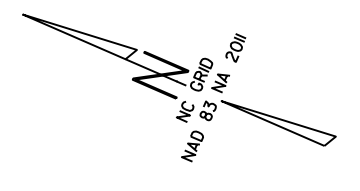
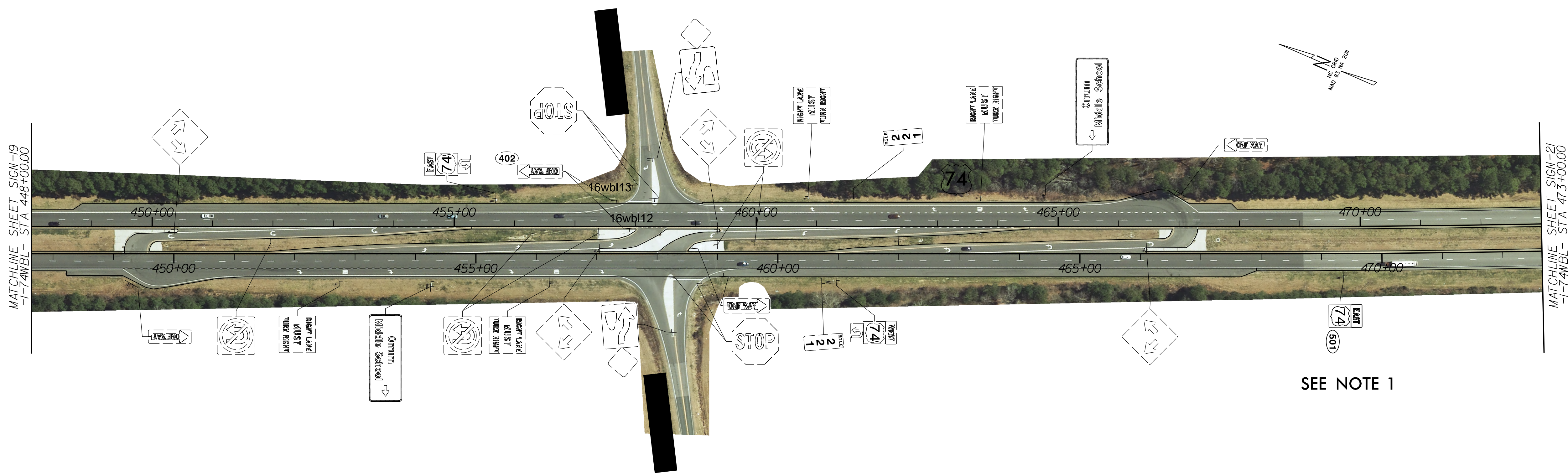
USE NOTES:  
 1. Legend and border(except those that are colored black) shall be direct applied Grade C sheeting.  
 2. Background shall be Grade C reflective sheeting.  
 3. Shields; A, B, and C type arrows shall be on 0.032" (0.8mm) aluminum with Grade C reflective sheeting and demountable.

Spacing Factor is 1 unless specified otherwise

LETTER POSITIONS											Series/Size
Letter locations are panel edge to lower left corner											Text Length
W	h	i	t	e	v	i	l	i	e		D 2000
7.1	13.3	17.9	19.6	22.4	26.3	31.3	33.4	35.6	37.5		33.9
2	0										D 2000
55.3	60.6										9.5
W	i	l	i	m	i	n	g	t	o	n	D 2000
7.1	13.3	15.4	17.6	24.7	26.8	31.3	35.5	38.3	43		39.4
6	5										D 2000
55.5	60.8										9.4

FILENAME: Proposed signs NORTH CAROLINA D.O.T. SIGN DETAIL

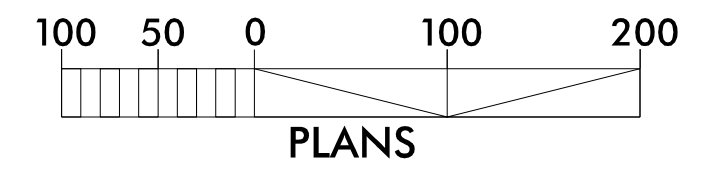
PROJECT REFERENCE NO. HI-0016	SHEET NO. SIGN-20
DocuSigned by: <i>Rachel Min</i> SEAL 047118 10/11/2023	



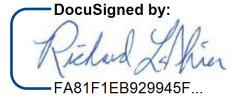

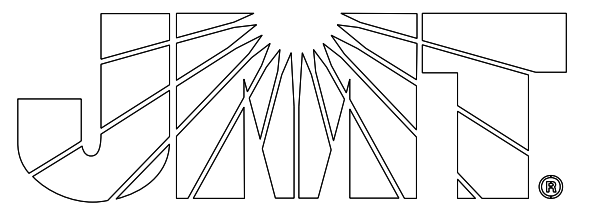
SEE NOTE 1

**PROJECT NOTES**

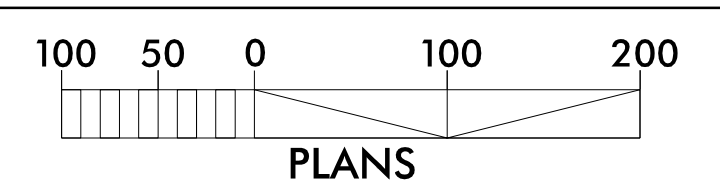
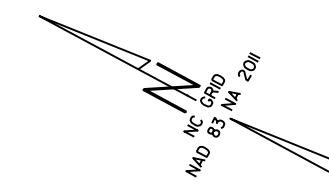
- 1 DISPOSAL OF SIGN AND SIGN ERECTION, ALL SIGNS TYPE D, E, AND F
- 2 SIGN ERECTION, TYPE E



8/17/99

PROJECT REFERENCE NO. <i>HI-0016</i>	SHEET NO. <i>SIGN-21</i>
Designed by:  10/11/2023	
	
	

NO SIGNING WORK  
THIS SHEET



9/13/2023  
User: R. Laster