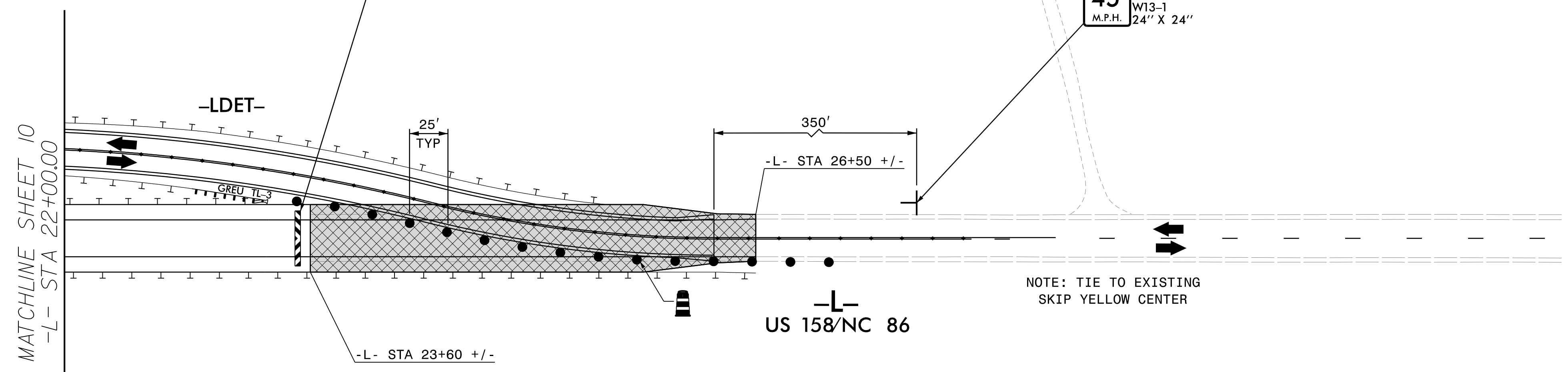
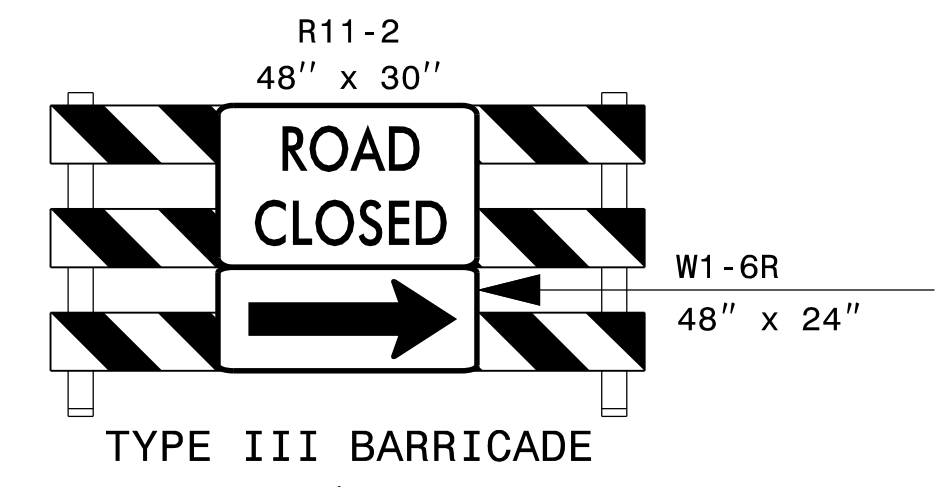


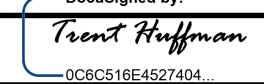

SEE RSD 1101.03 (3 OF 9)  
FOR TEMPORARY ROAD CLOSURES



TO NC HWY 119

9/27/2023  
 G:\RA\1001-109\BR-0069\TrafficControl\TCP\BR0069\_tc\_tmp.ll.dgn  
 gmedlin

**moffatt & nichol**  
 4700 FALLS OF NEUSE ROAD, SUITE 300  
 RALEIGH, NORTH CAROLINA 27609  
 (919) 781-4626 VOICE (919) 781-4869 FAX  
 NC License NO.: F-0105

APPROVED:   
 DATE: 2/5/2024  
 SEAL  
  
**DOCUMENT NOT CONSIDERED FINAL  
UNLESS ALL SIGNATURES COMPLETED**

PHASE 2 STEP 2  
 -L-