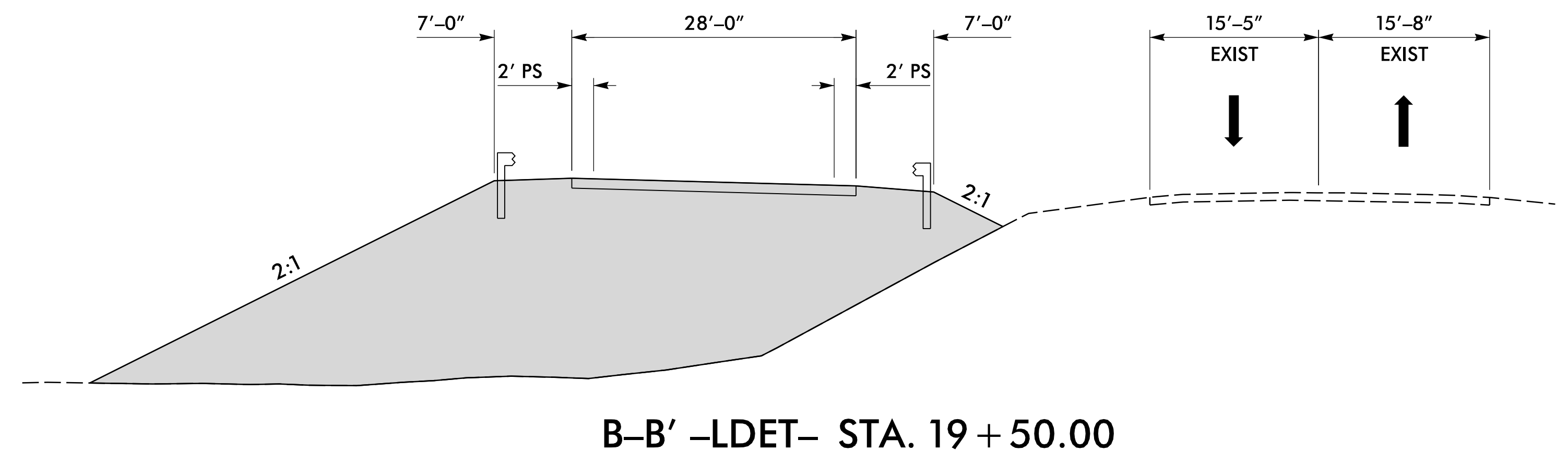
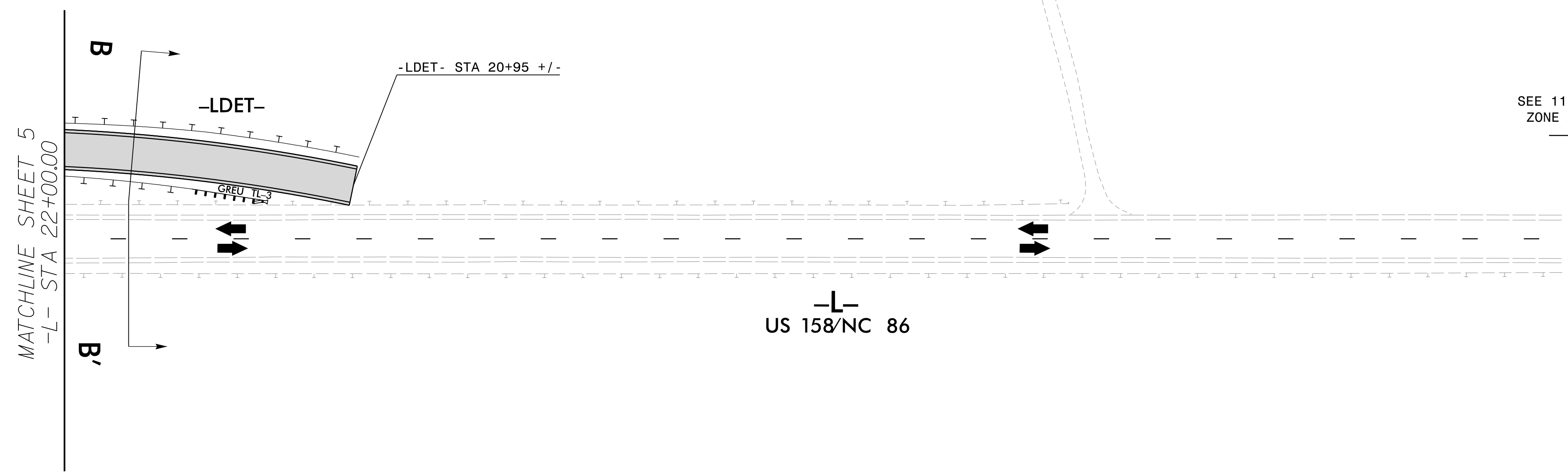
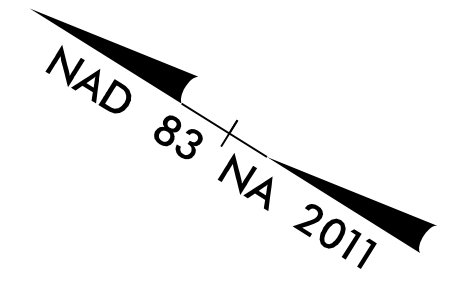


PROJ. REFERENCE NO.	SHEET NO.
BR-0069	TMP-5



B-B' -LDET- STA. 19 + 50.00



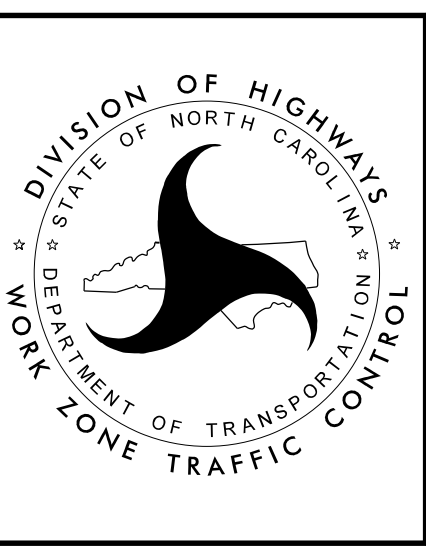
SEE 1101.01(3 OF 3) FOR WORK ZONE ADVANCE WARNING SIGNS

TO NC HWY 119

9/27/2023 05:14:00 109\BR-0069\TrafficControl\TCP\BR0069_tc_tmp_05.dgn gmedlin

moffatt & nichol
 4700 FALLS OF NEUSE ROAD, SUITE 300
 RALEIGH, NORTH CAROLINA 27609
 (919) 781-4626 VOICE (919) 781-4869 FAX
 NC License NO.: F-0105

APPROVED: *Robert Hoffman*
 DATE: 2/5/2024
 SEAL
 DOCUMENT NOT CONSIDERED FINAL
 UNLESS ALL SIGNATURES COMPLETED



PHASE 1 STEP 1
 -L-
 DIVISION OF HIGHWAYS
 DEPARTMENT OF TRANSPORTATION
 WORK ZONE TRAFFIC CONTROL