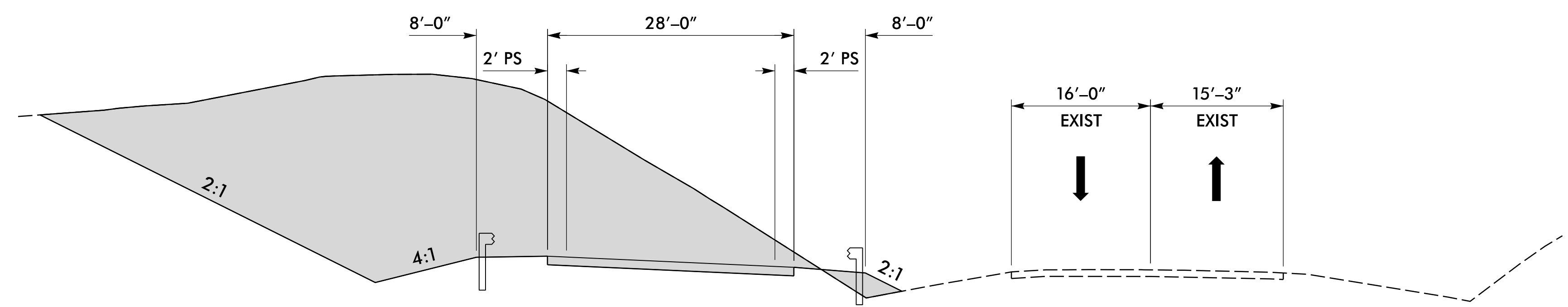
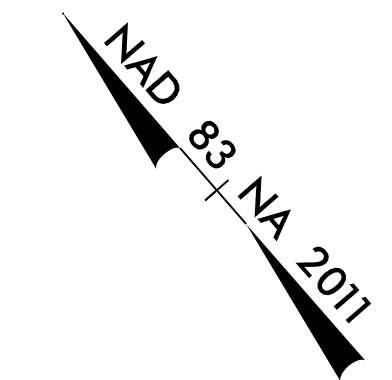


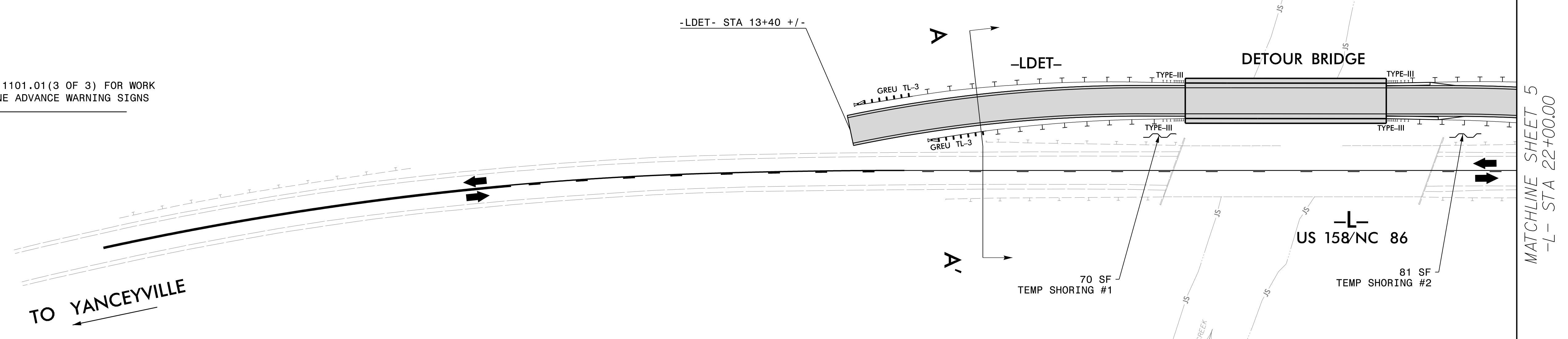
PROJ. REFERENCE NO.	SHEET NO.
BR-0069	TMP-4



A-A' -LDET- STA. 14+50.00



SEE 1101.01 (3 OF 3) FOR WORK ZONE ADVANCE WARNING SIGNS



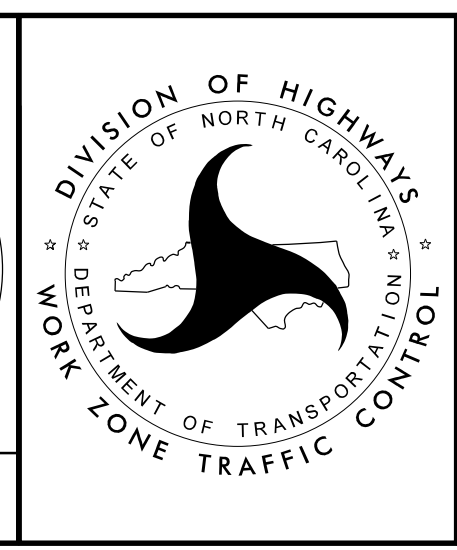
9/27/2023 05:18:00 109\BR-0069\TrafficControl\TCP\BR0069_tc_tmp_04.dgn gmedlin

moffatt & nichol
 4700 FALLS OF NEUSE ROAD, SUITE 300
 RALEIGH, NORTH CAROLINA 27609
 (919) 781-4626 VOICE (919) 781-4869 FAX
 NC License NO.: F-0105

APPROVED: *Robert Hoffmann*
 DATE: 2/5/2024

SEAL

DOCUMENT NOT CONSIDERED FINAL UNLESS ALL SIGNATURES COMPLETED



DIVISION OF HIGHWAYS
 NORTH CAROLINA DEPARTMENT OF TRANSPORTATION
 WORK ZONE TRAFFIC CONTROL

PHASE 1 STEP 1
 -L-