

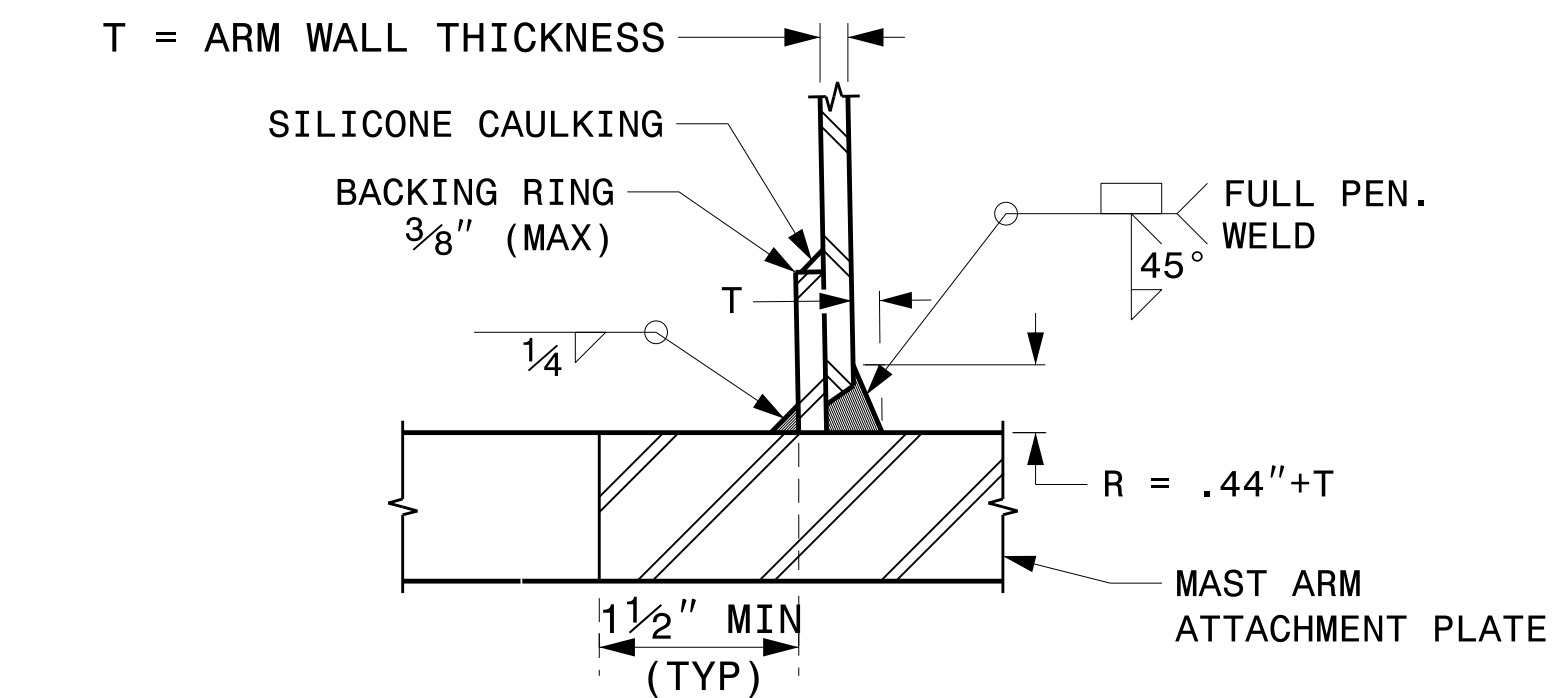
WELDED RING STIFFENED MAST ARM CONNECTION

PROJECT I.D. NO.

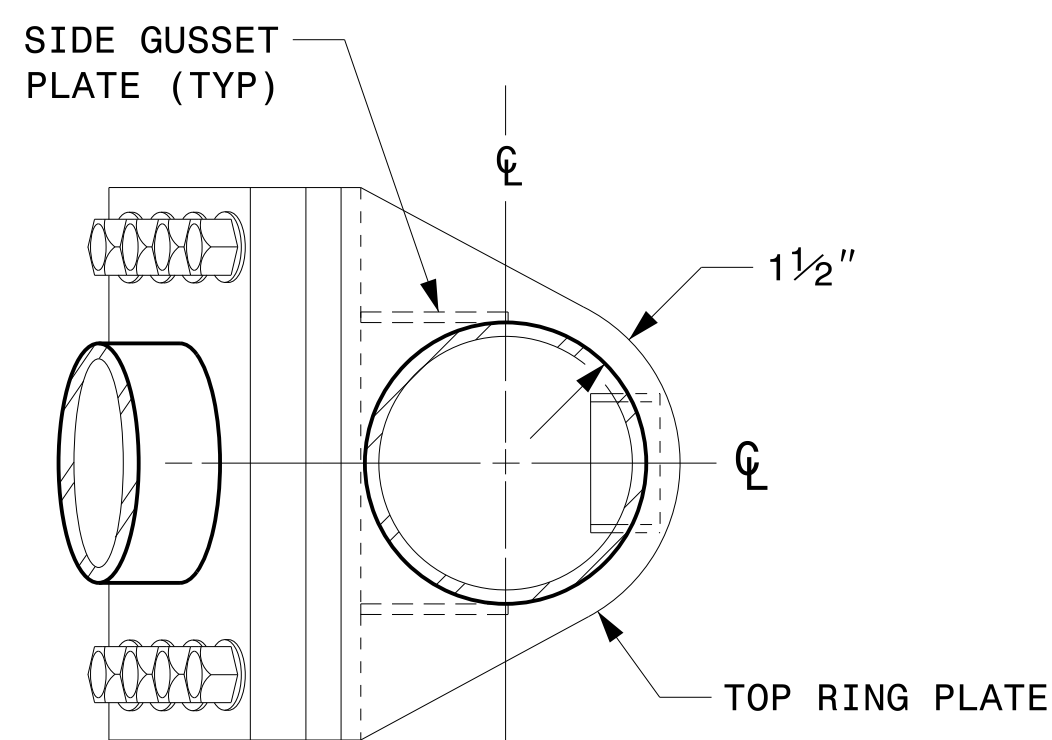
SHEET NO.

U-6036

Sig.M5



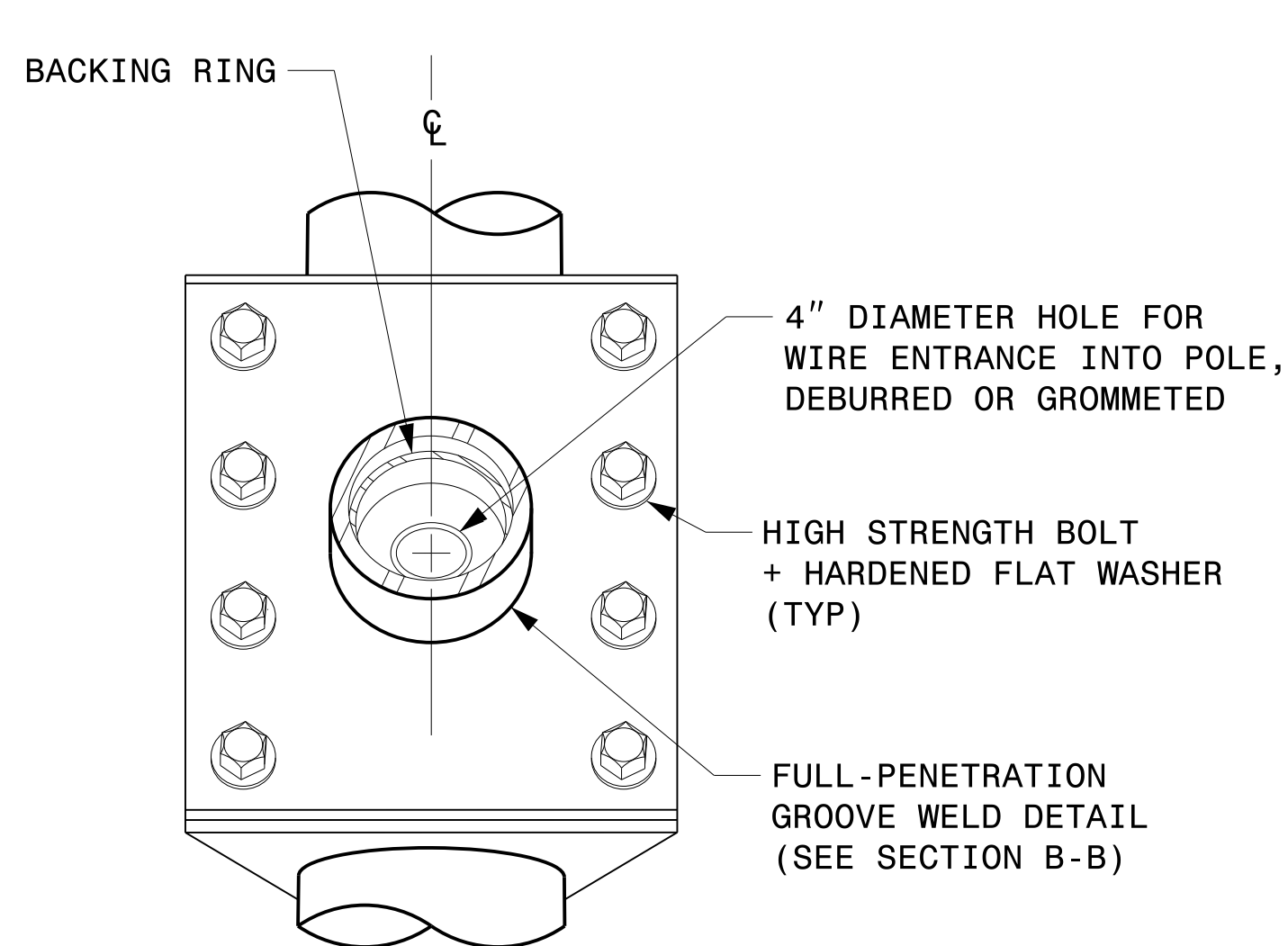
**SECTION B-B
FULL-PENETRATION GROOVE WELD DETAIL**



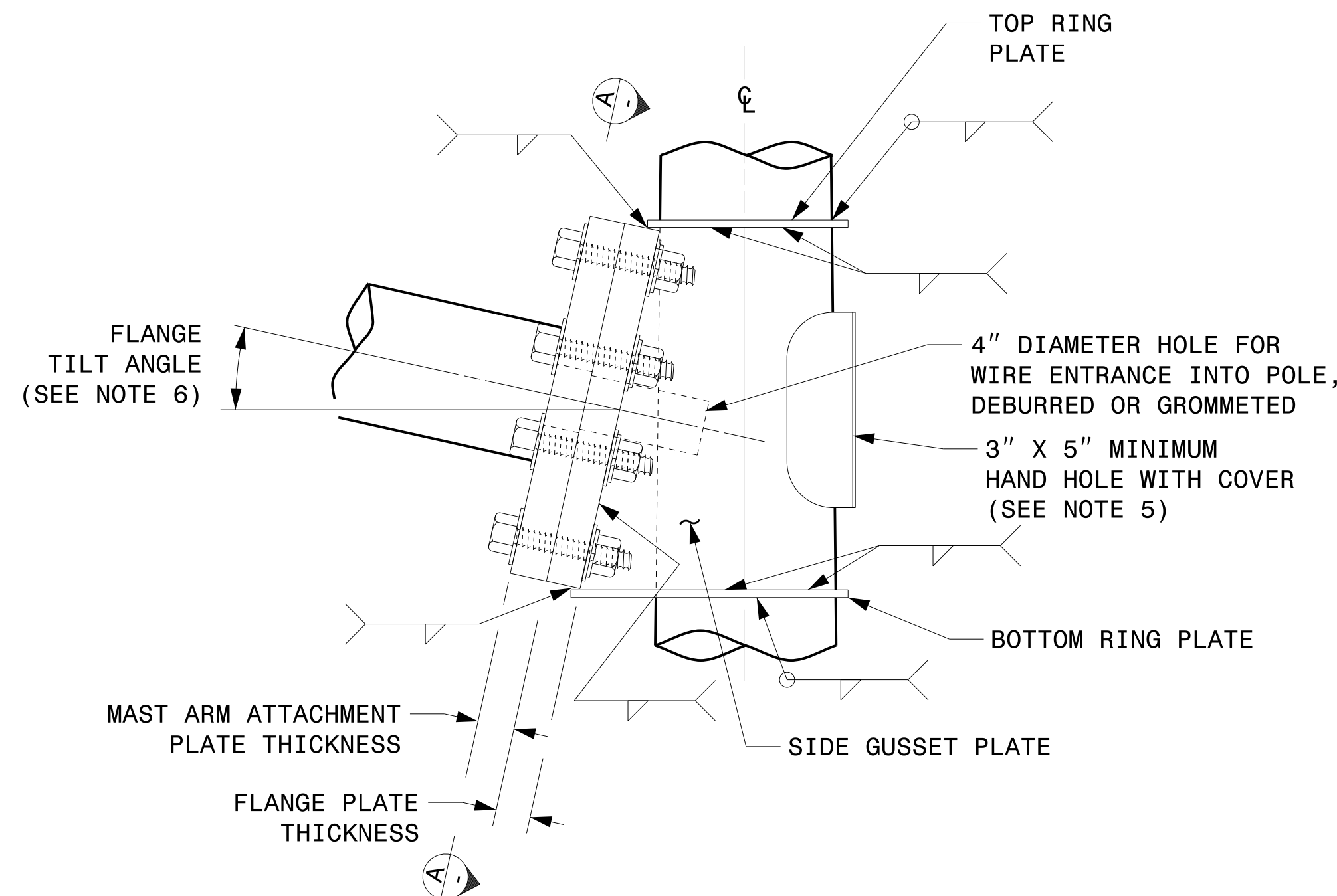
PLAN VIEW

NOTES:

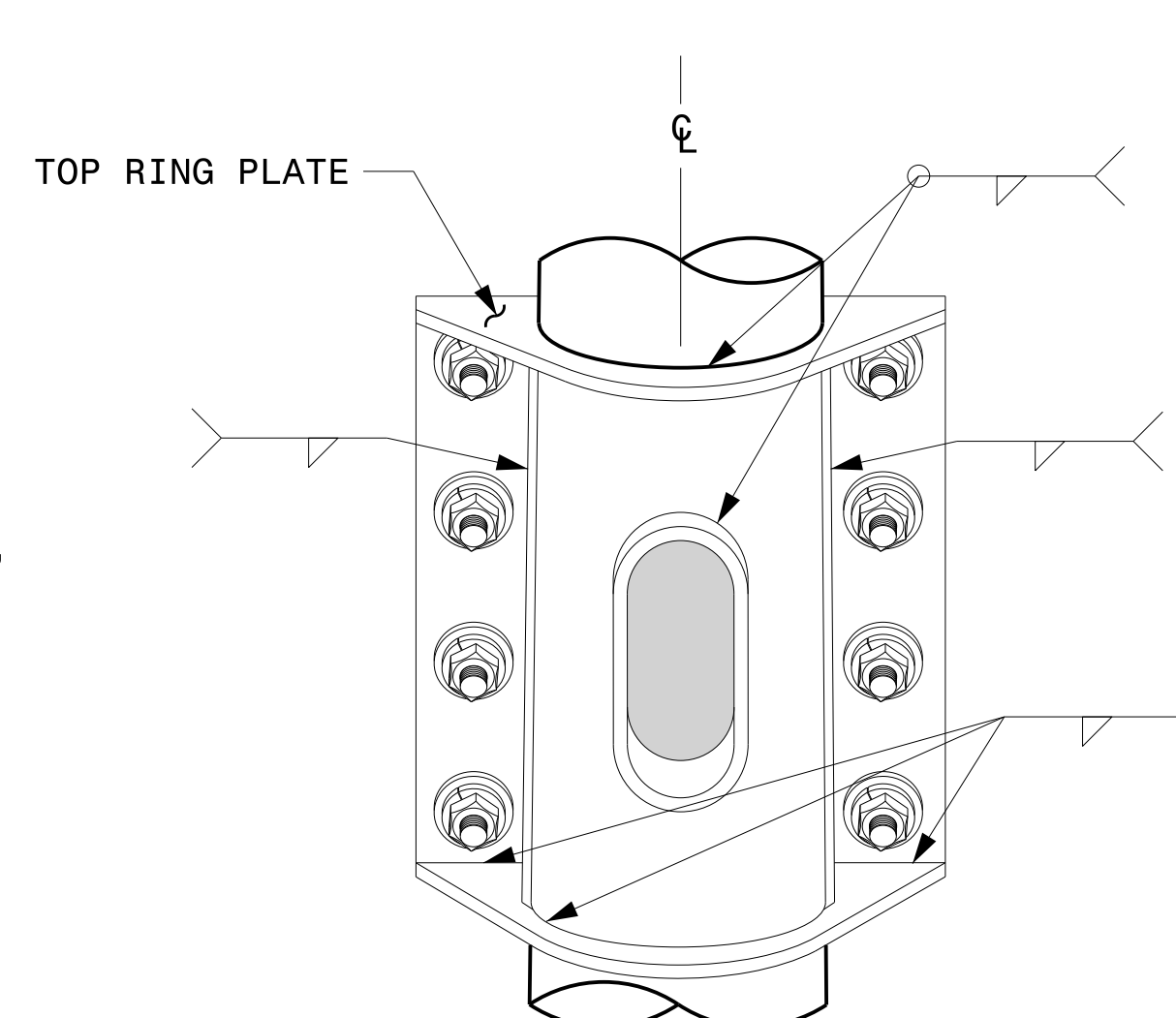
1. PROVIDE A PERMANENT MEANS OF IDENTIFICATION ABOVE THE MAST ARM TO INDICATE PROPER ATTACHMENT ORIENTATION OF THE MAST ARM.
2. DESIGNER WILL DETERMINE THE SIZE OF ALL STRUCTURAL COMPONENTS, PLATES, FASTENERS, AND WELDS SHOWN UNLESS THEY ARE ALREADY SPECIFIED.
3. FABRICATOR IS RESPONSIBLE FOR PROVIDING APPROPRIATE HOLES AT DRAINAGE POINTS TO DRAIN GALVANIZING MATERIALS.
4. FOR MINIMUM EDGE DISTANCE AND NOMINAL BOLT HOLE SIZE, FOLLOW THE LATEST AISC STEEL CONSTRUCTION MANUAL.
5. PROVIDE UPPER HANDHOLE AS NECESSARY WHEN SHAFT EXTENSIONS ARE REQUIRED FOR LUMINAIRE ARMS OR CAMERA. FOR POLES WITHOUT LUMINAIRES/CAMERA, WIRING CAN BE DONE THROUGH THE TOP OF POLE.
6. ALLOWABLE RANGE OF FLANGE TILT ANGLE WILL VARY FROM 0° TO AS REQUIRED.



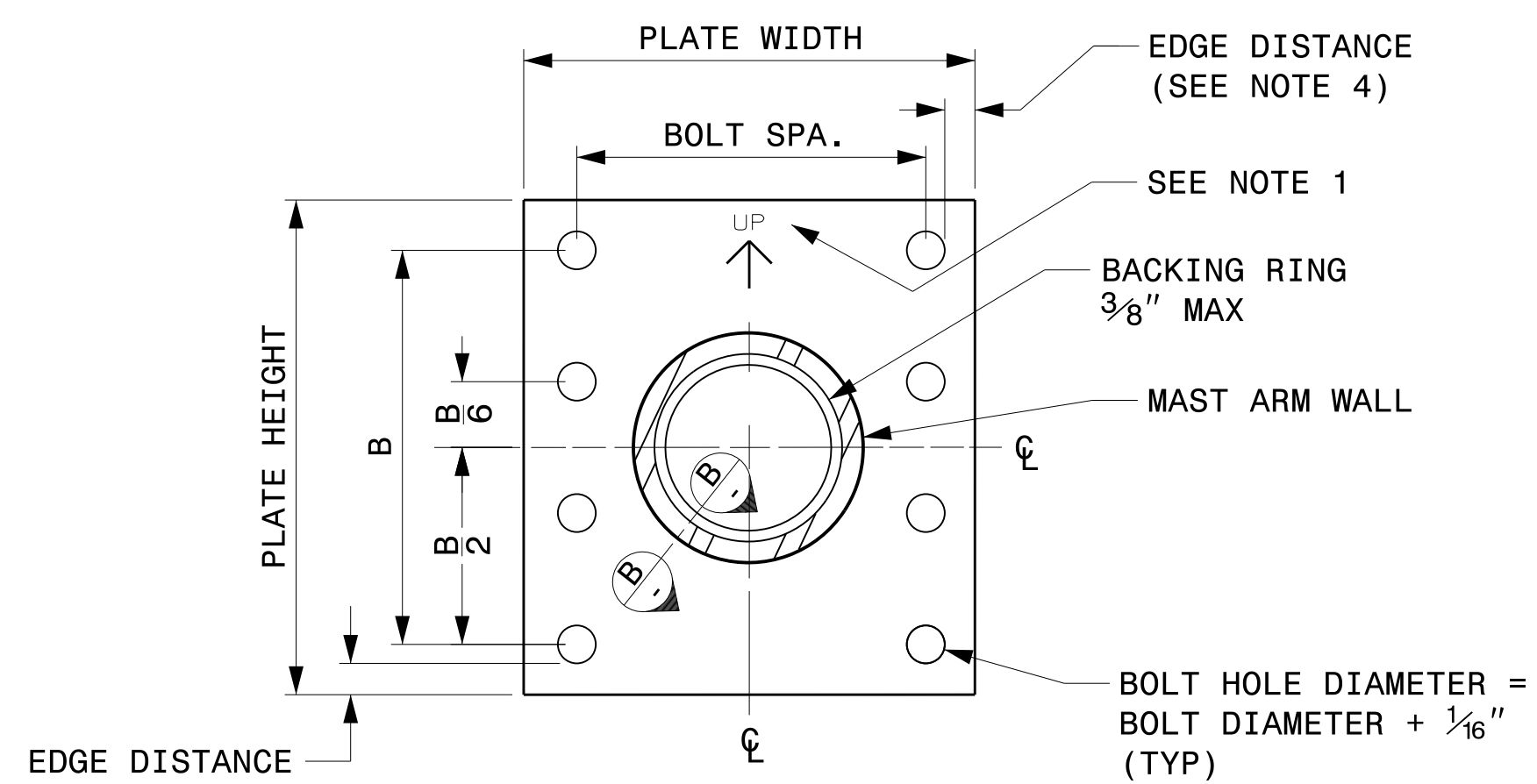
FRONT ELEVATION VIEW



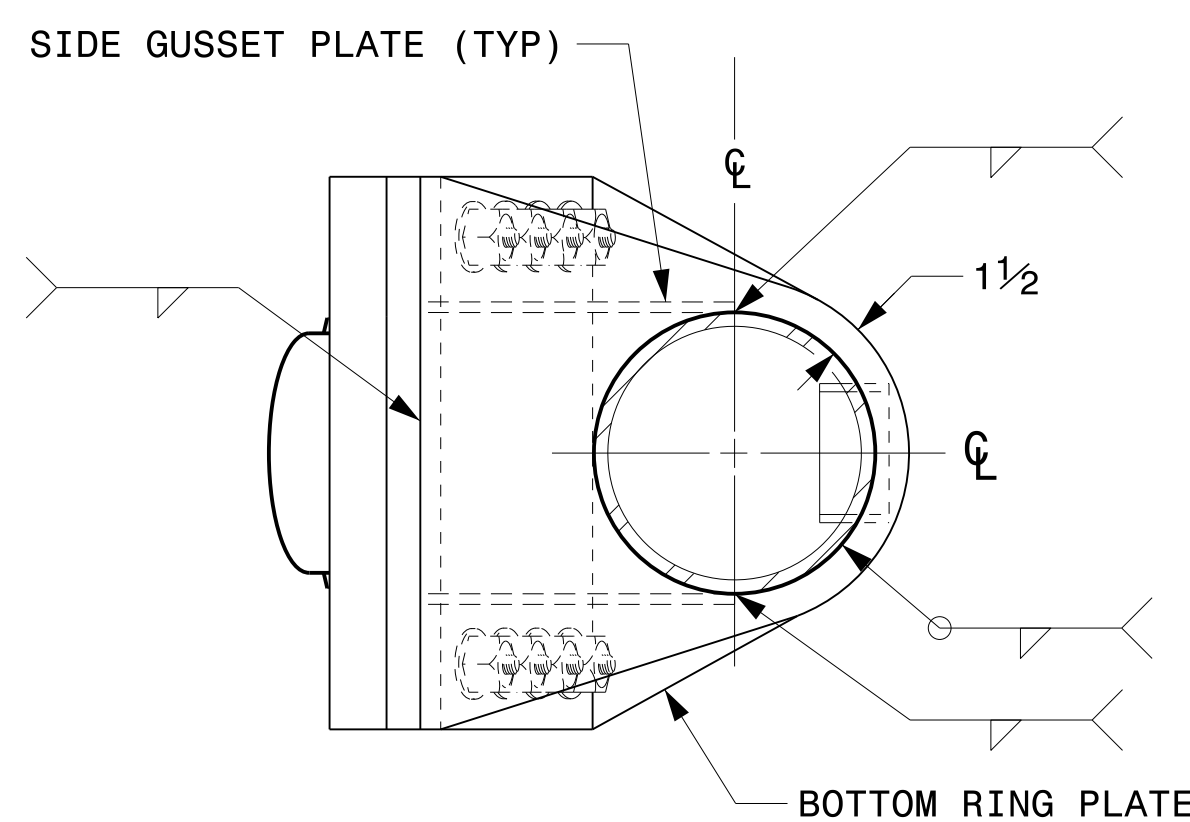
SIDE ELEVATION VIEW



BACK ELEVATION VIEW



**SECTION A-A
MAST ARM ATTACHMENT PLATE**



BOTTOM VIEW

Prepared in the Offices of:

750 N. Greenfield Pkwy, Garner, NC 27529

Typical Fabrication Details For Mast Arm Connection To Pole	
PLAN DATE: SEPTEMBER 2023	DESIGNED BY: C.F. ANDREWS
PREPARED BY: K.C. DURIGON	REVIEWED BY: D.C. SARKAR
SCALE: NA	NONE
REVISIONS	INIT. DATE

SEAL

DocuSigned by:
Kevin Durigon
SIGNATURE

4B23DC79B3784DA

09/21/2023
DATE

03-dwt-2023-10-30
S:\Projects\2023\Signal Design Section\Structures\Drawings\2024\Merlot_Pole_Srd Drawings for LRF\U-6036_Sig.M5 Str. Connection Fabrication Details-Mast Arm Poles.dgn
Kedar Tagon

Fabrication Details – Mast Arm Connection