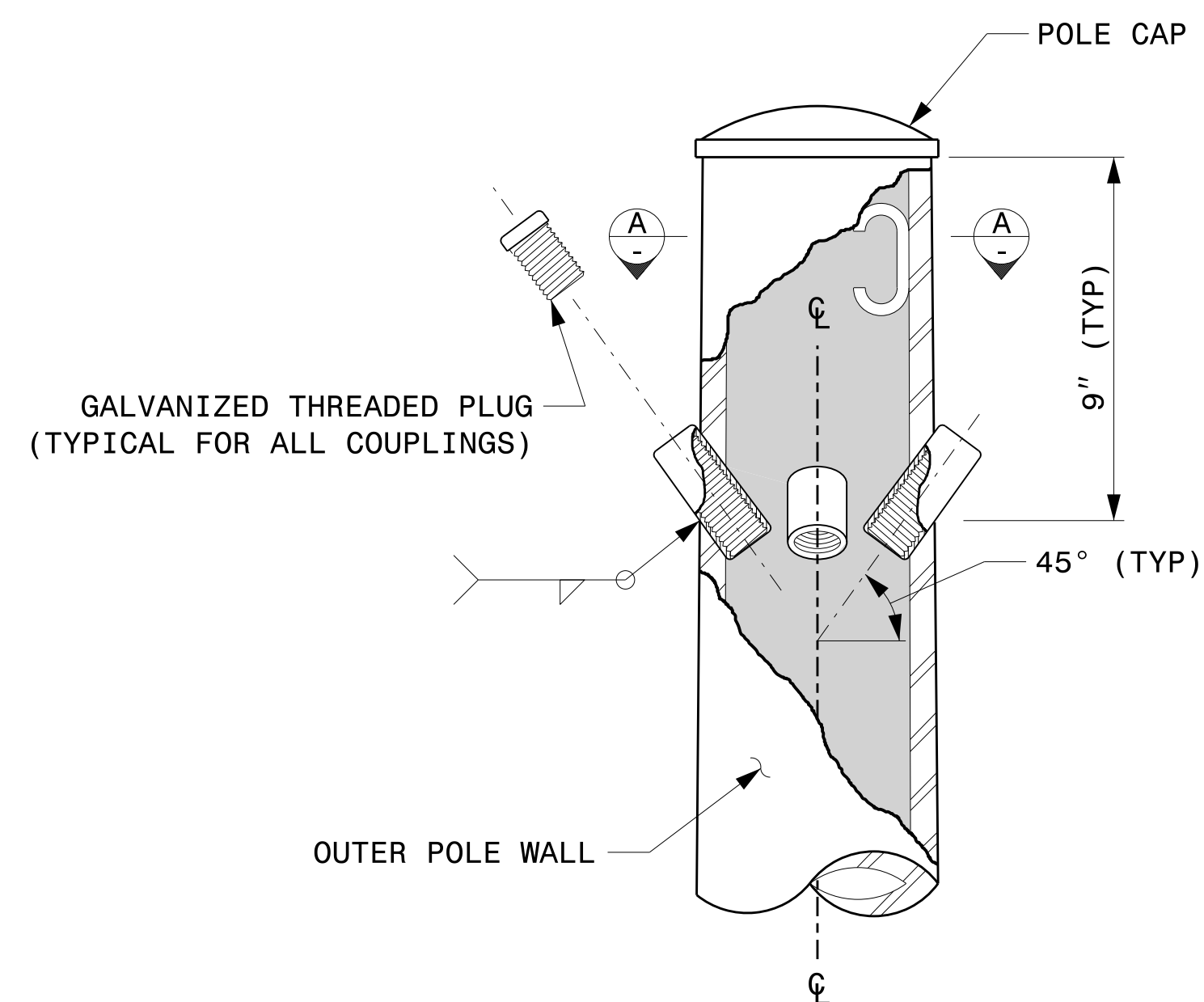
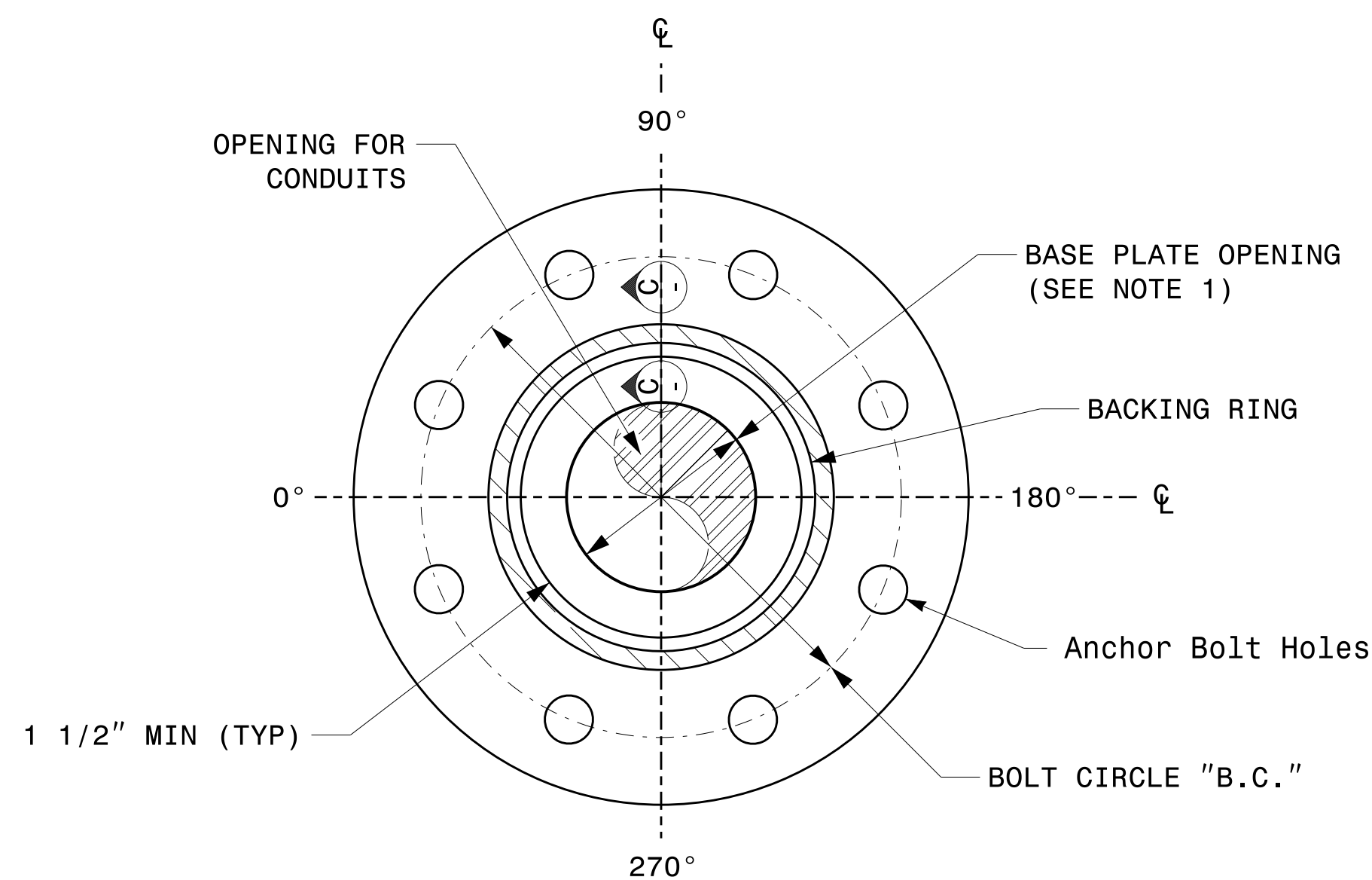


NOTE:

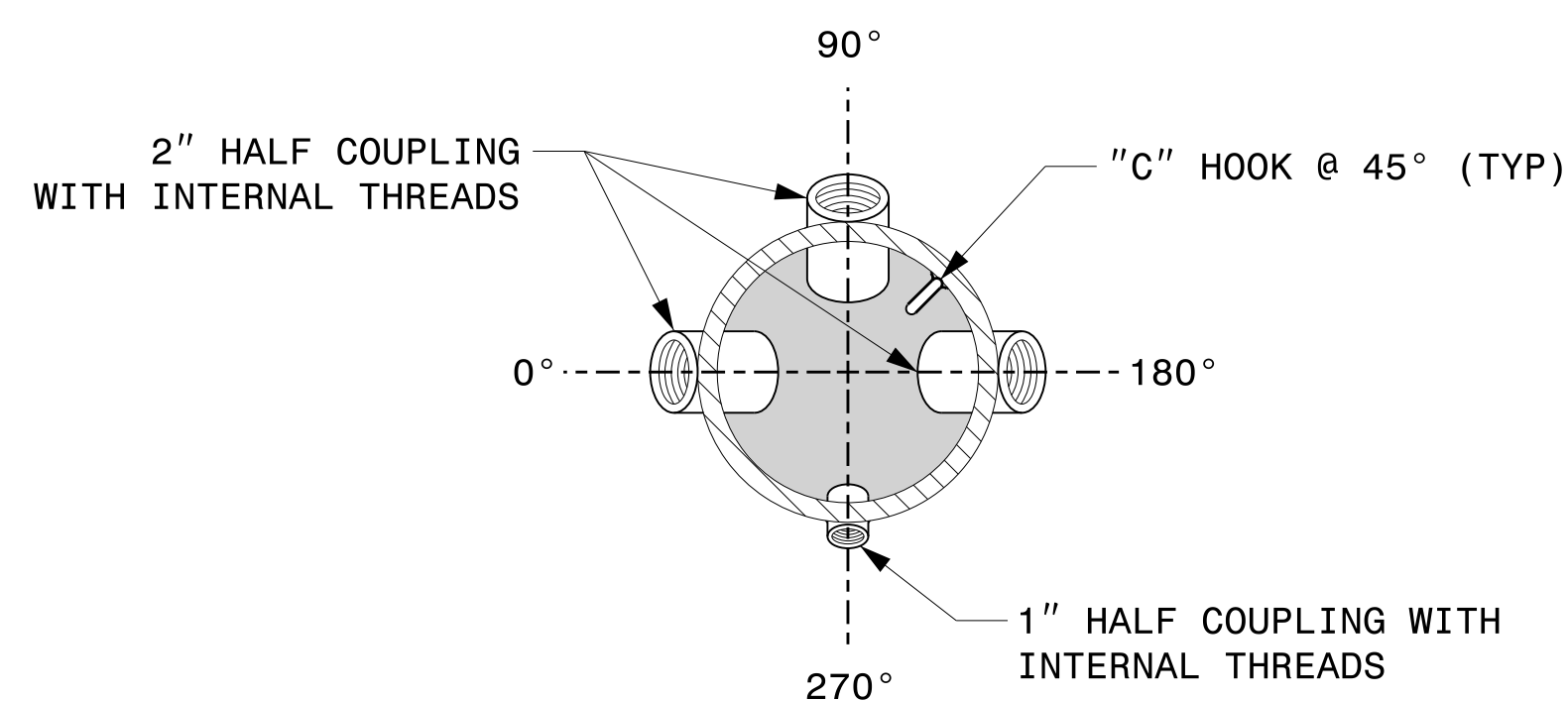
1. OPENING IN POLE BASE PLATE SHALL BE EQUAL TO POLE BASE INSIDE DIAMETER MINUS $3\frac{1}{2}$ " BUT SHALL NOT BE LESS THAN $8\frac{1}{2}$ ".



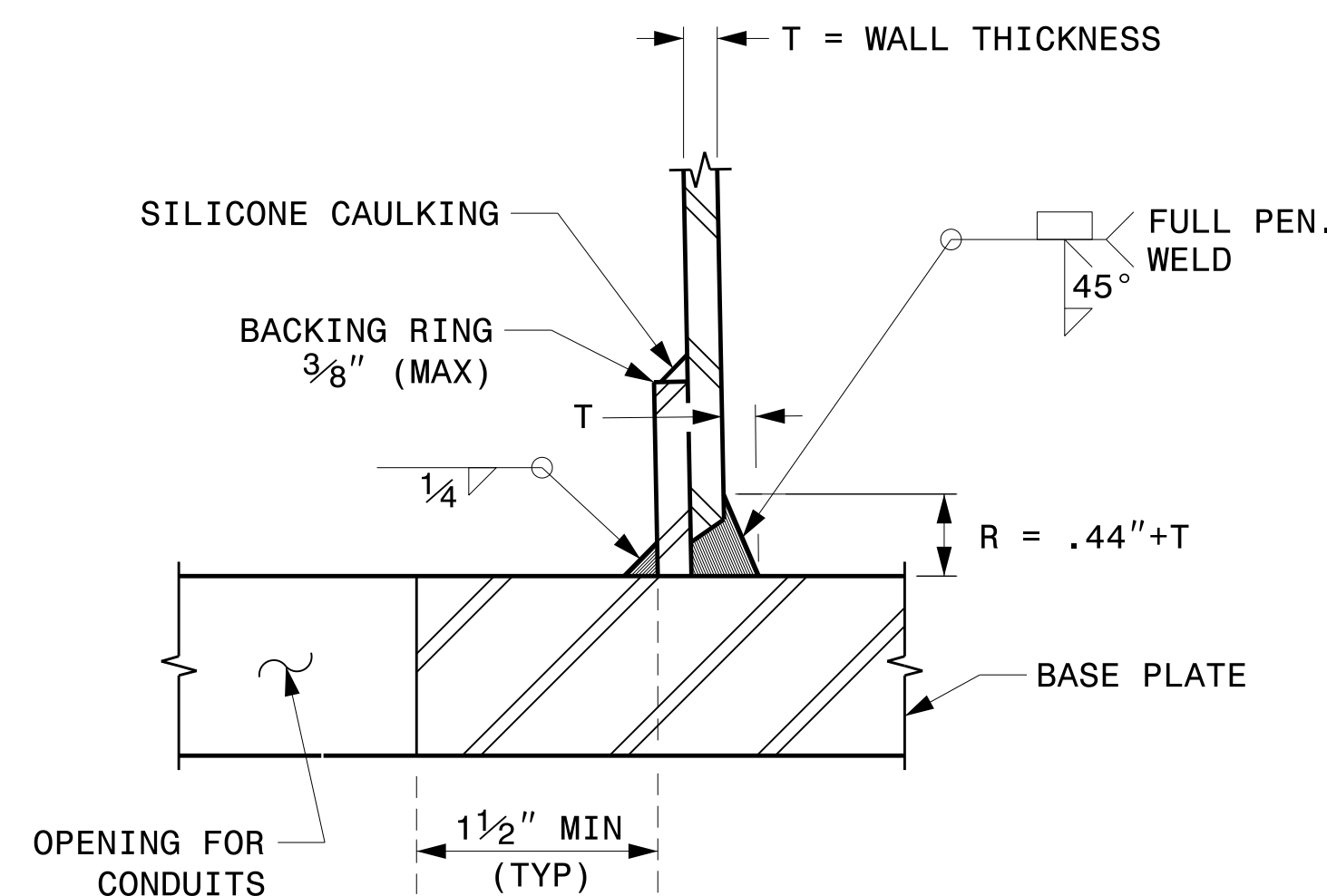
CABLE ENTRANCES AT TOP OF POLE



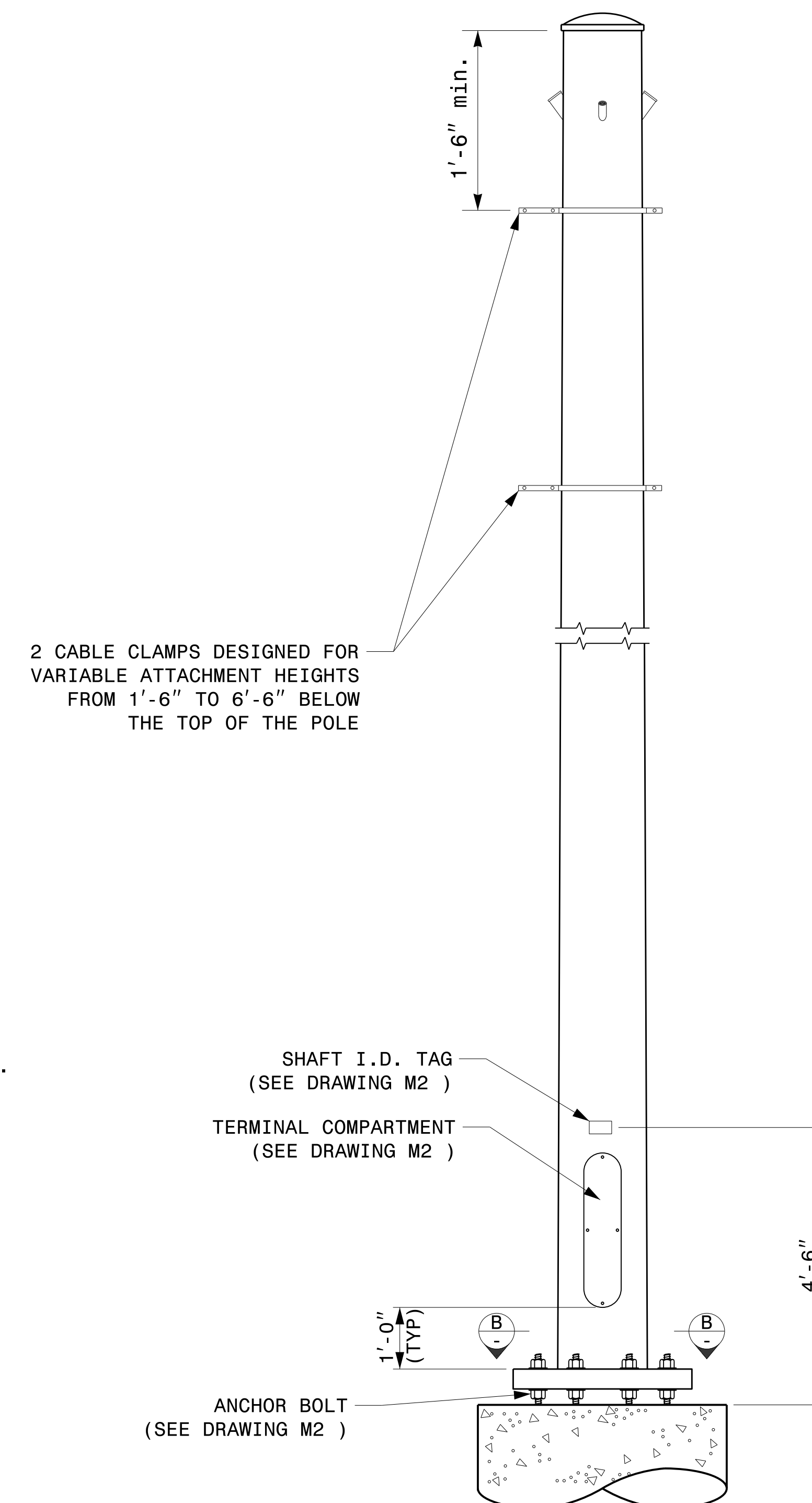
SECTION B-B
POLE BASE PLATE DETAILS
(8 AND 12 BOLT PATTERN)



SECTION A-A
RADIAL ORIENTATION OF FACTORY INSTALLED
ACCESSORIES AT TOP OF POLE



SECTION C-C
(POLE ATTACHMENT TO BASE PLATE)
FULL-PENETRATION
GROOVE WELD DETAIL



MONOTUBE STRAIN POLE

Prepared in the Offices of:

750 N. Greenfield Pkwy, Garner, NC 27529

SCALE: 0 NA NONE

Typical Fabrication Details For Strain Poles

PLAN DATE:	SEPTEMBER 2023	DESIGNED BY:	K.C. DURIGON
PREPARED BY:	K.C. DURIGON	REVIEWED BY:	D.C. SARKAR
REVISIONS	INIT.	DATE	

SEAL

DocuSigned by:
Kevin Durigon
SIGNATURE

09/23/2023
DATE

4B23DC79B3728ADA

08-dt-2023-10-31
S:\ISSUES\15-SIGNAL\Signal Design Section\Structures\Drawings\2024\Monot Pole Str. Fabrication Details-Strain Poles.dgn
Kedar Durigon

Fabrication Details – Strain Poles