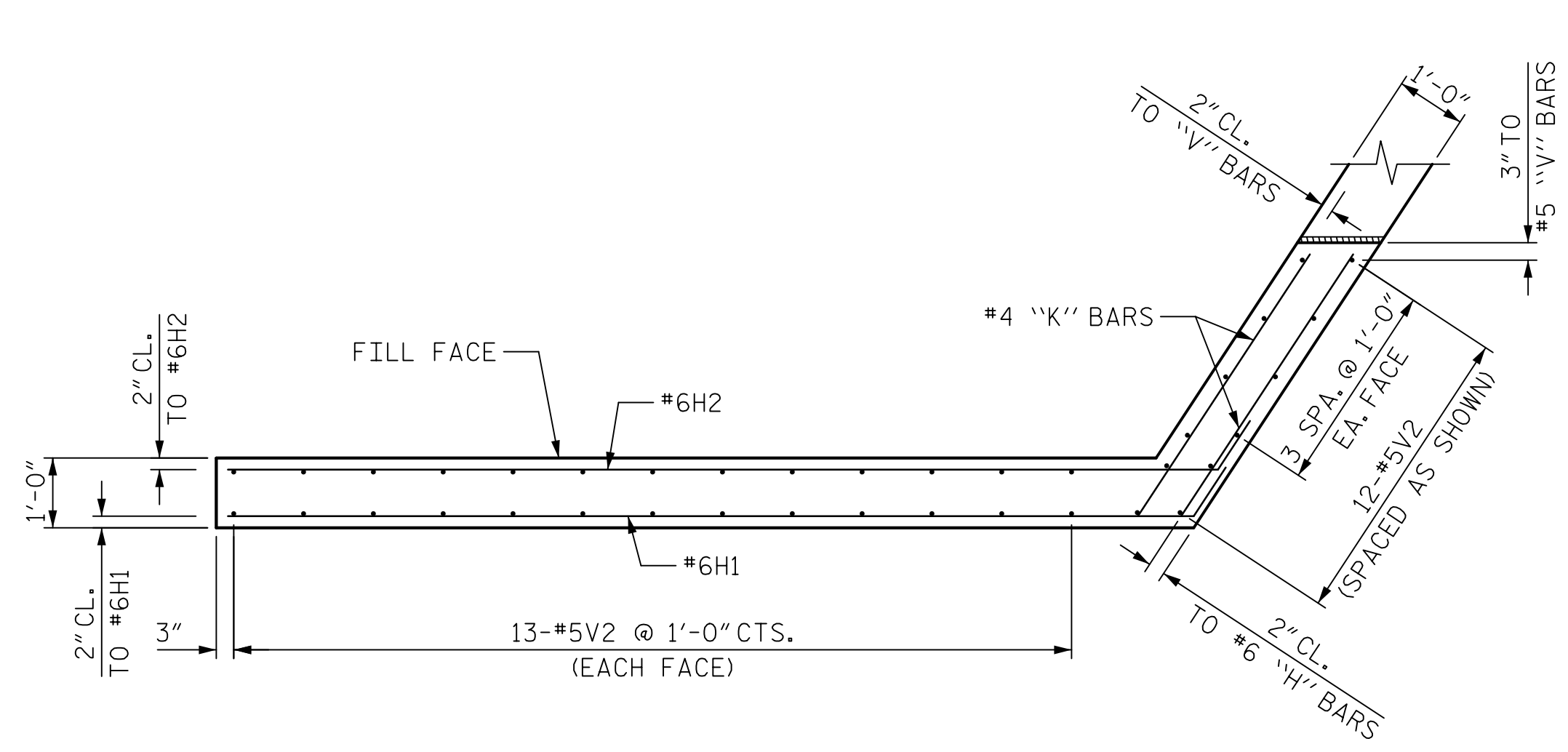
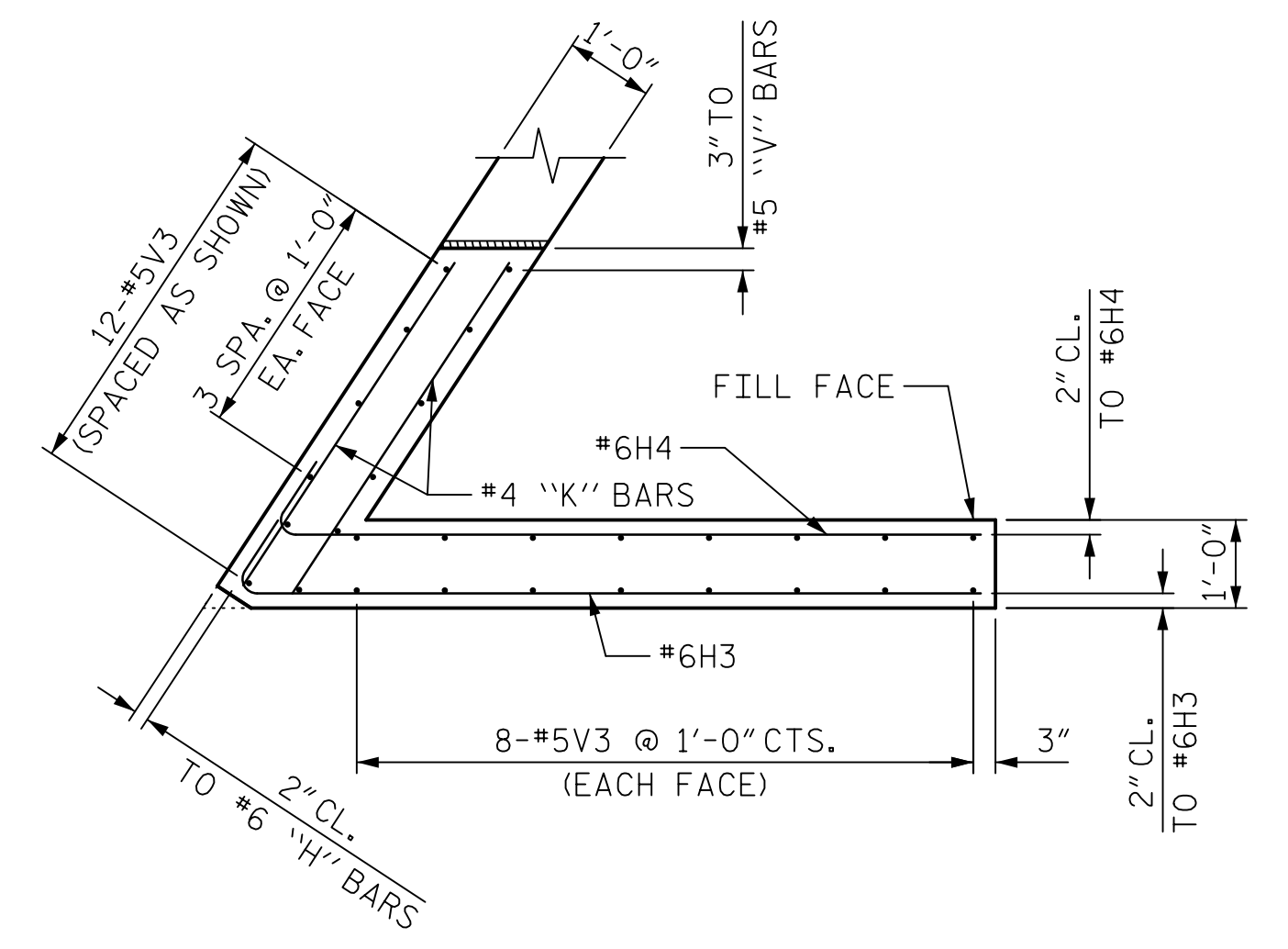


DATE: 1/19/2023
TIME: 10:42:32 AM

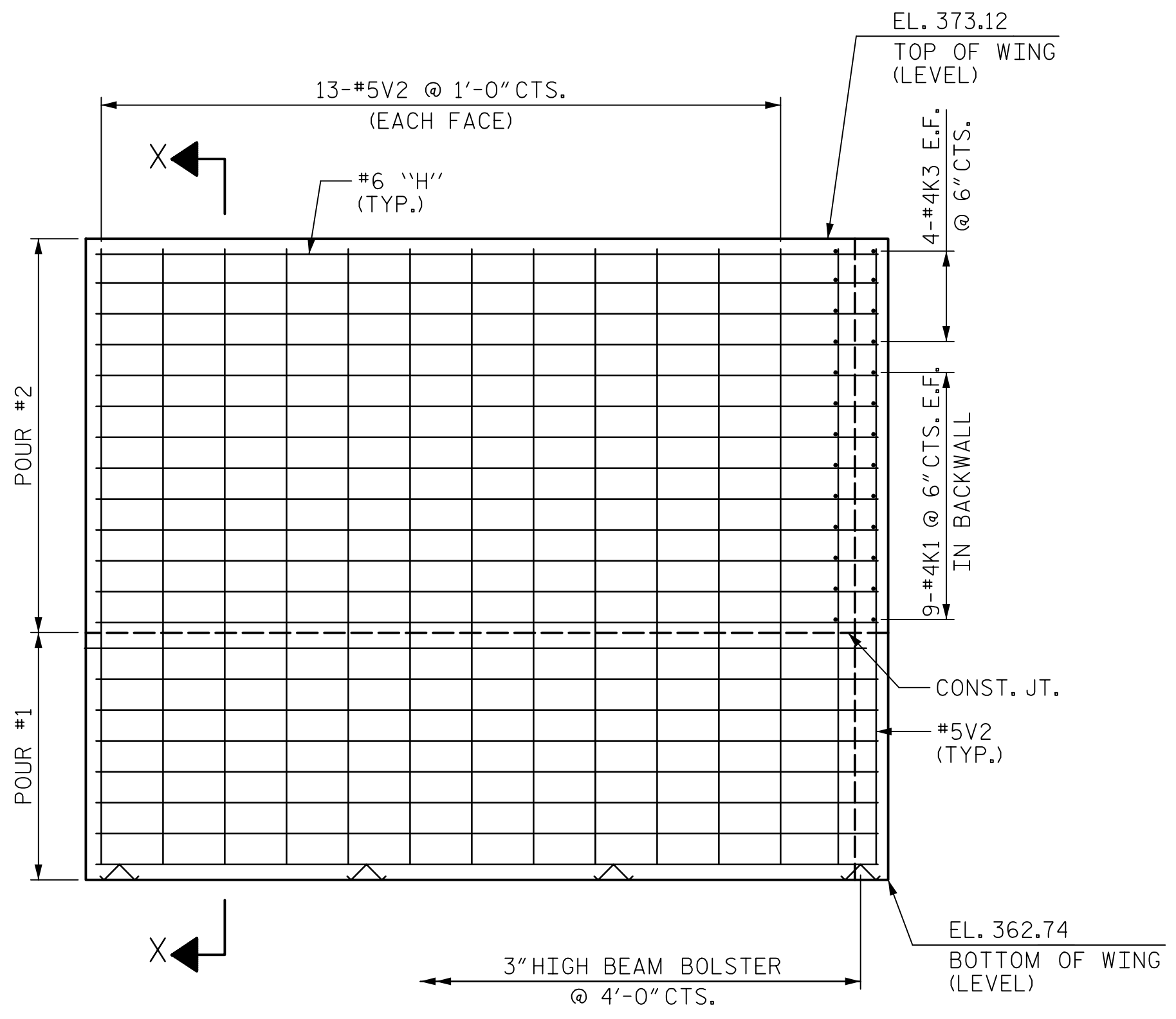
USER: rmeach
DIR: \\vncacornel.com\Users\AMEFARaleigh\USRAL3\Legacy\Projects\60436195-B-465A-000\Wing\K910\CAD\VO_MCDOT_TIP\Structures\04 Drawings\400_05_543_B4654_SML_EB2_3.dgn



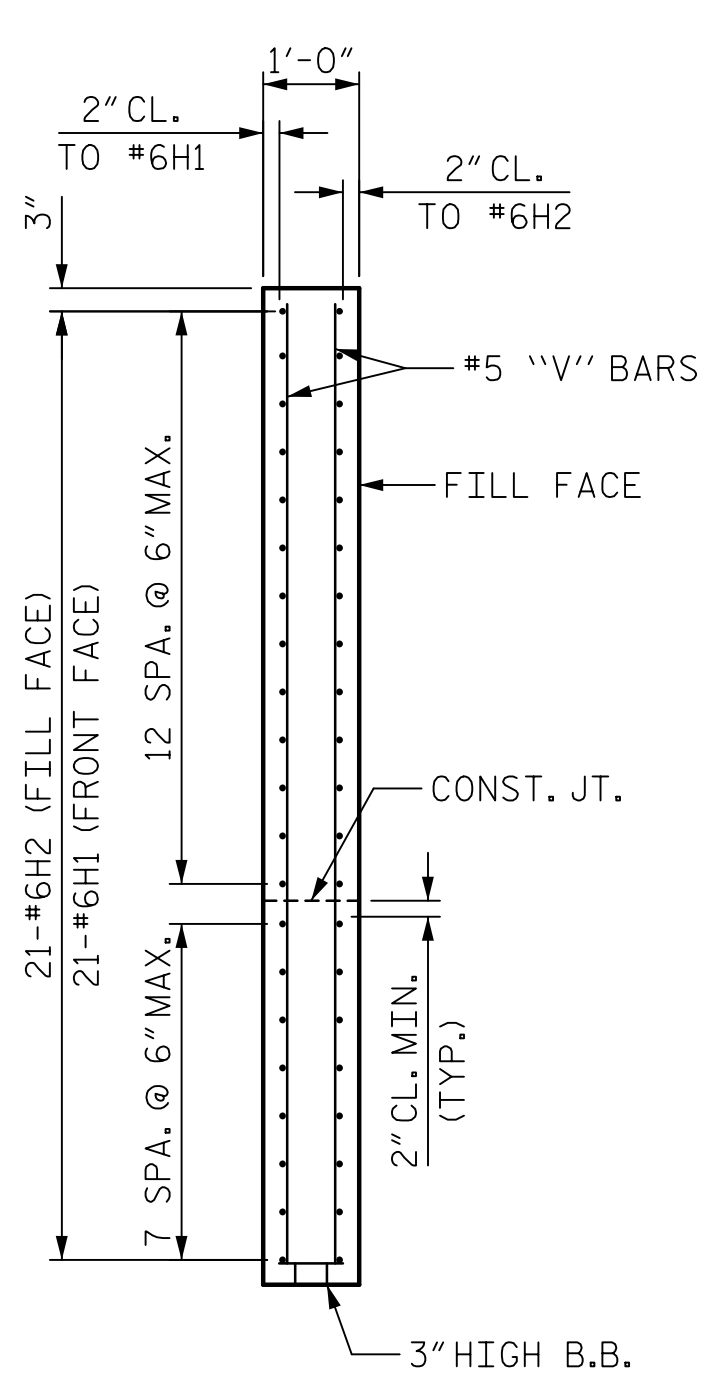
PLAN OF WING (W3)



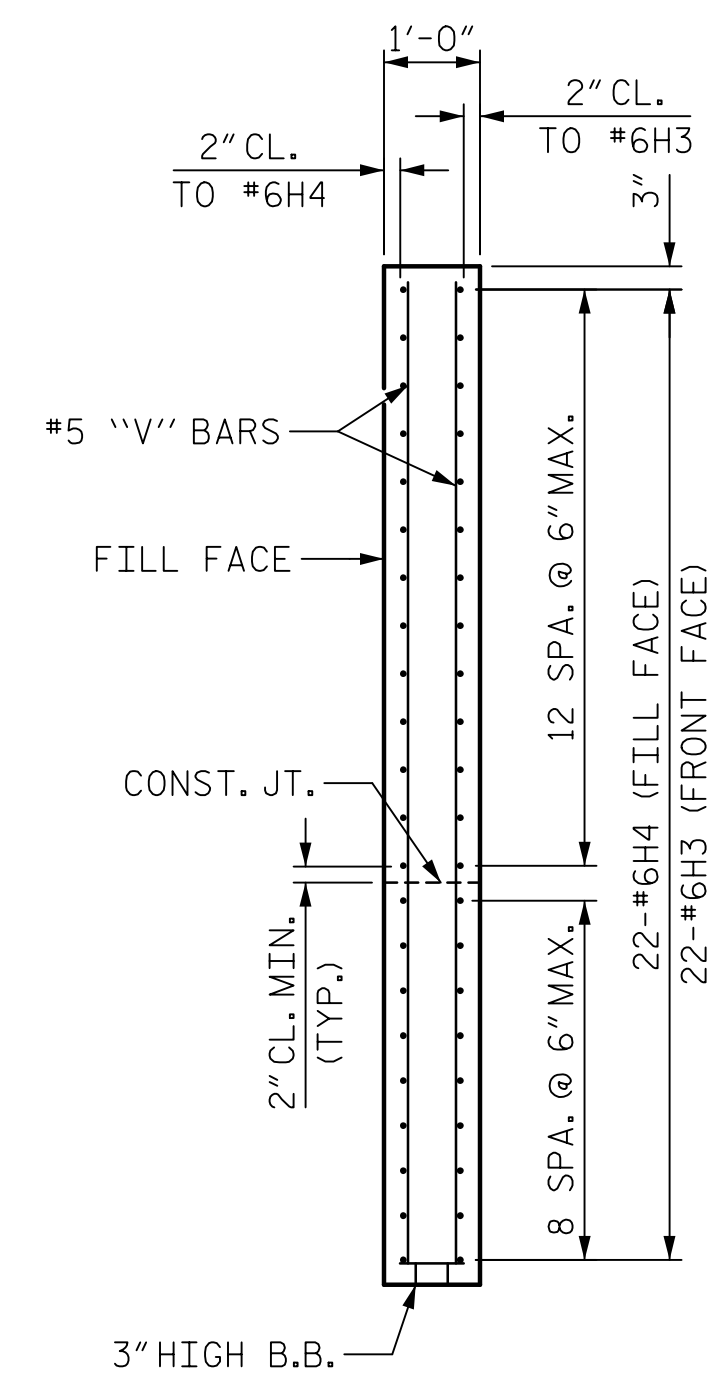
PLAN OF WING (W4)



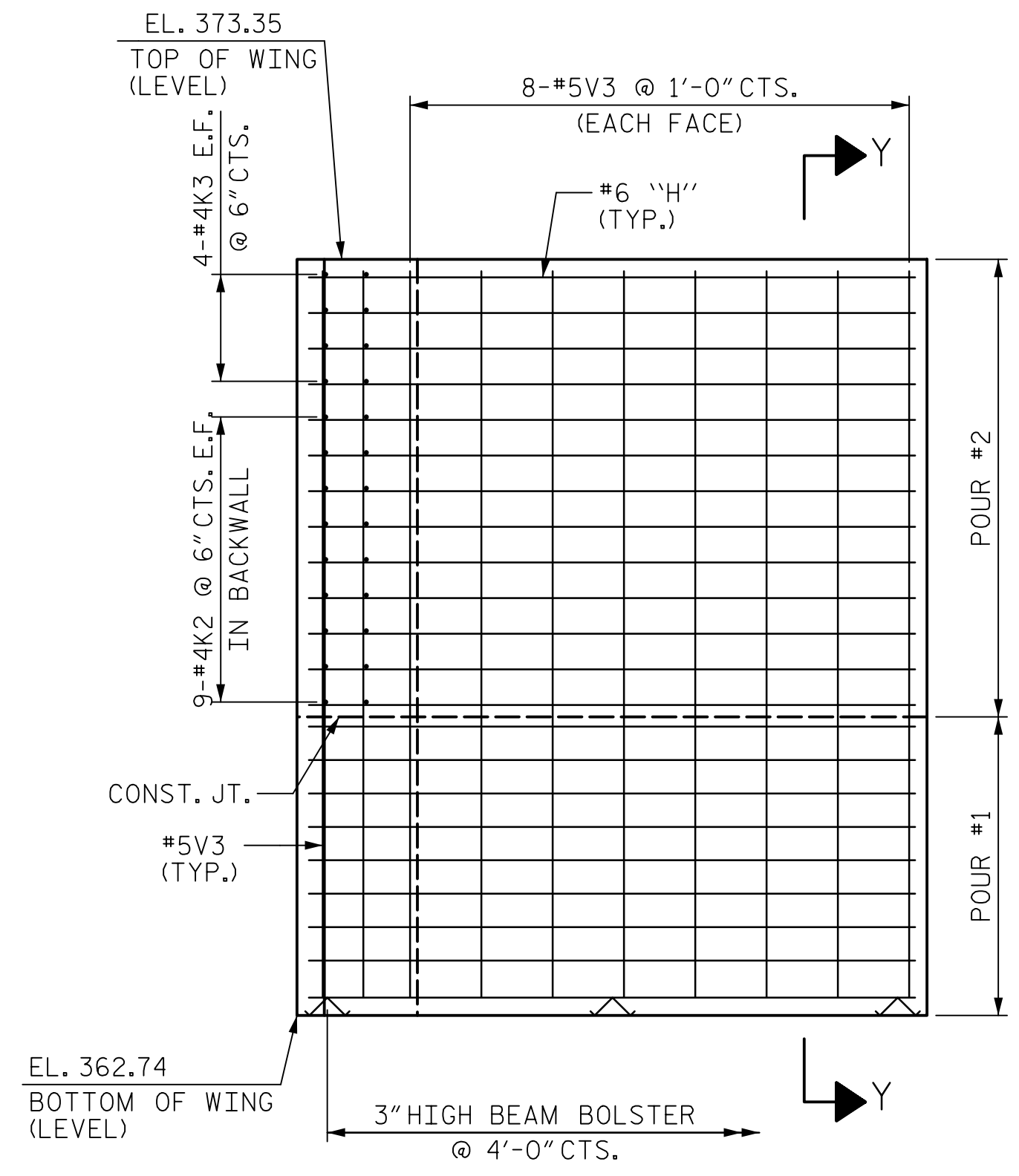
ELEVATION OF WING (W3)
(STAGE I)



SECTION X-X
(STAGE I)



SECTION Y-Y
(STAGE II)



ELEVATION OF WING (W4)
(STAGE II)

PROJECT NO. B-4654
WAKE COUNTY
 STATION: 22+71.80 -L-

SHEET 3 OF 5

DRAWN BY : T.B. STUMP DATE : 02/2019
 CHECKED BY : J.C. MORRISON DATE : 02/2019
 DESIGNED BY : D. RITACCO DATE : 02/2019
 DESIGN CHECKED BY : J.C. MORRISON DATE : 02/2019

DOCUMENT NOT CONSIDERED
FINAL UNLESS ALL
SIGNATURES COMPLETED



STATE OF NORTH CAROLINA DEPARTMENT OF TRANSPORTATION RALEIGH					
SUBSTRUCTURE					
END BENT 2 WING WALLS					
REVISIONS					
NO.	BY:	DATE:	NO.	BY:	DATE:
1			3		
2			4		
SHEET NO.					S-43
TOTAL SHEETS					49