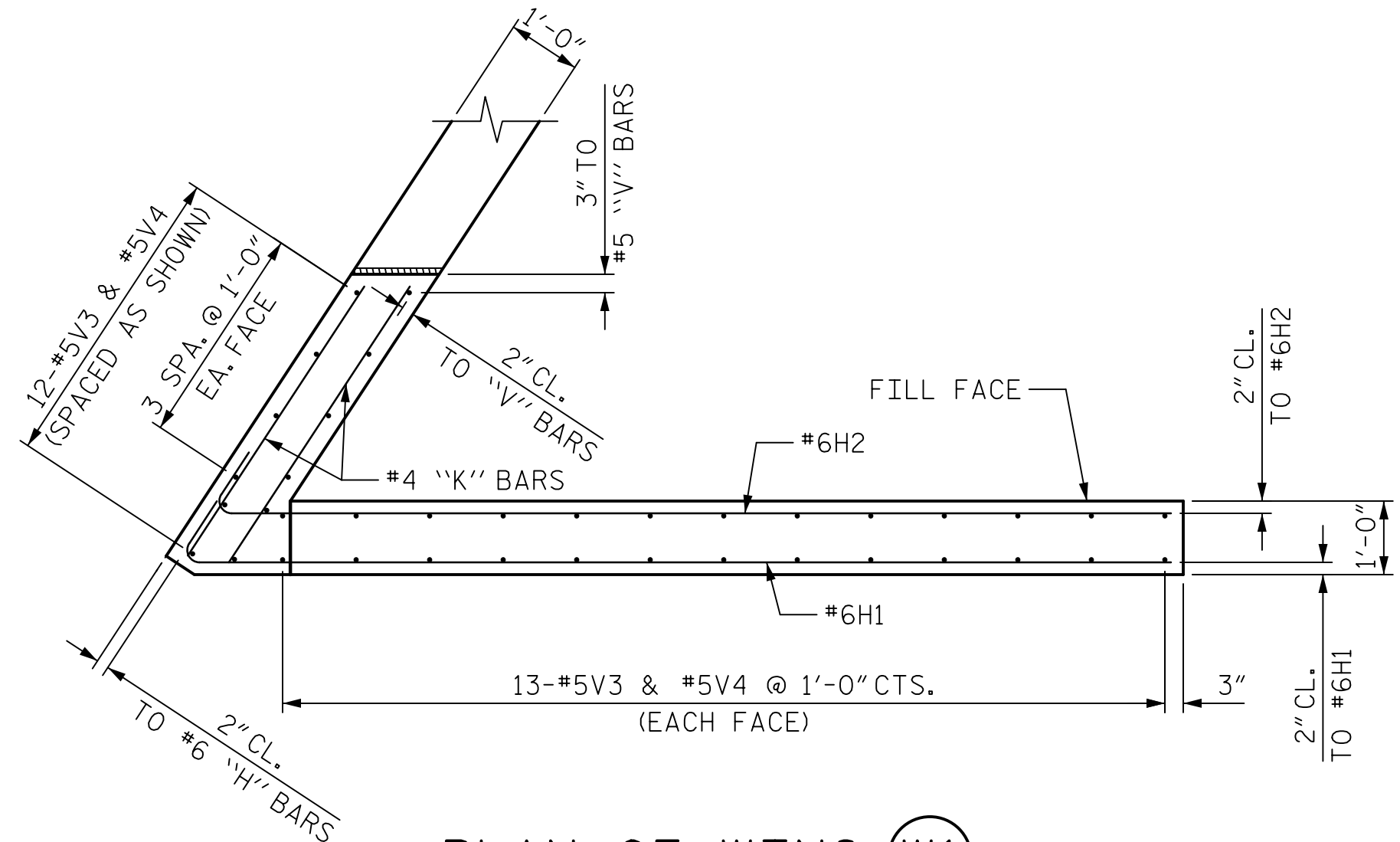
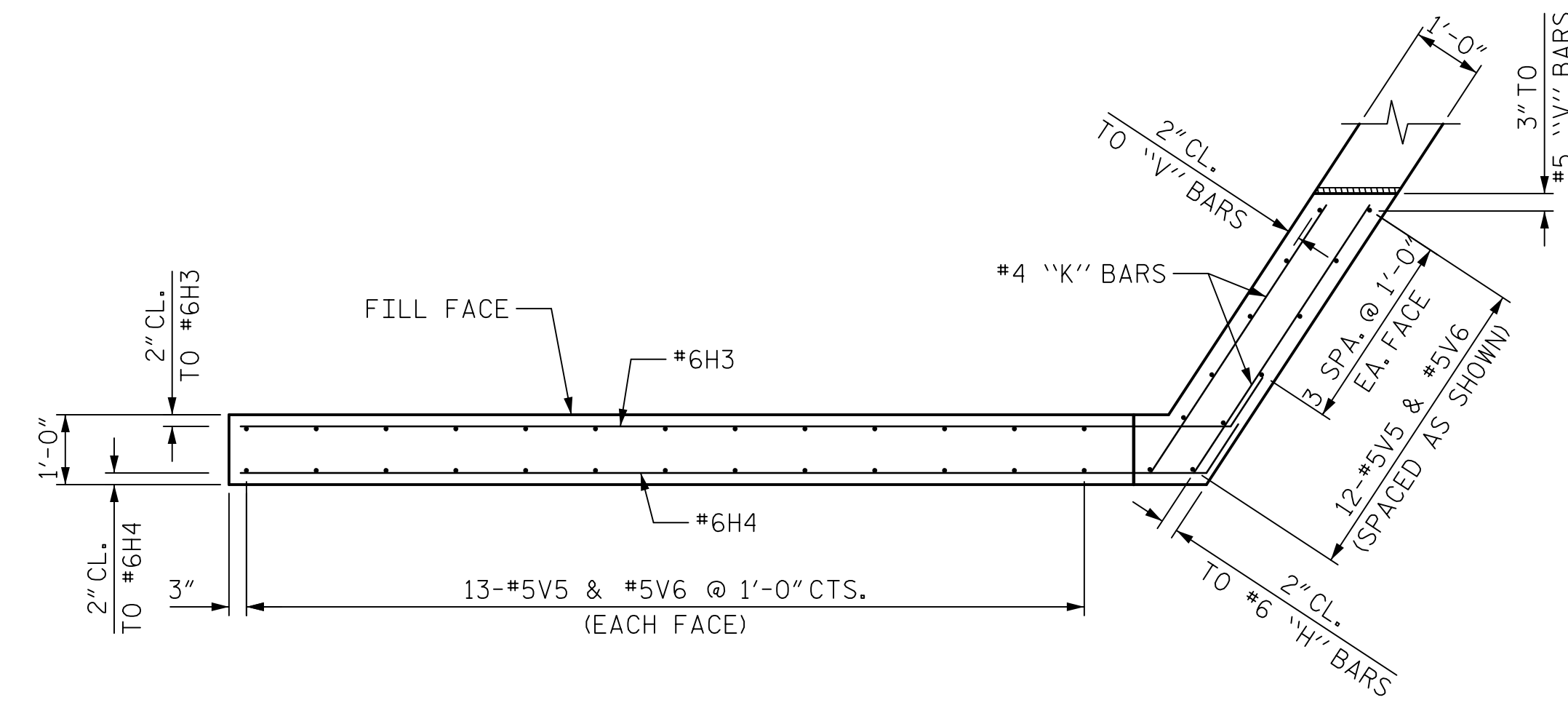


DATE: 1/19/2023
TIME: 10:22:03 AM

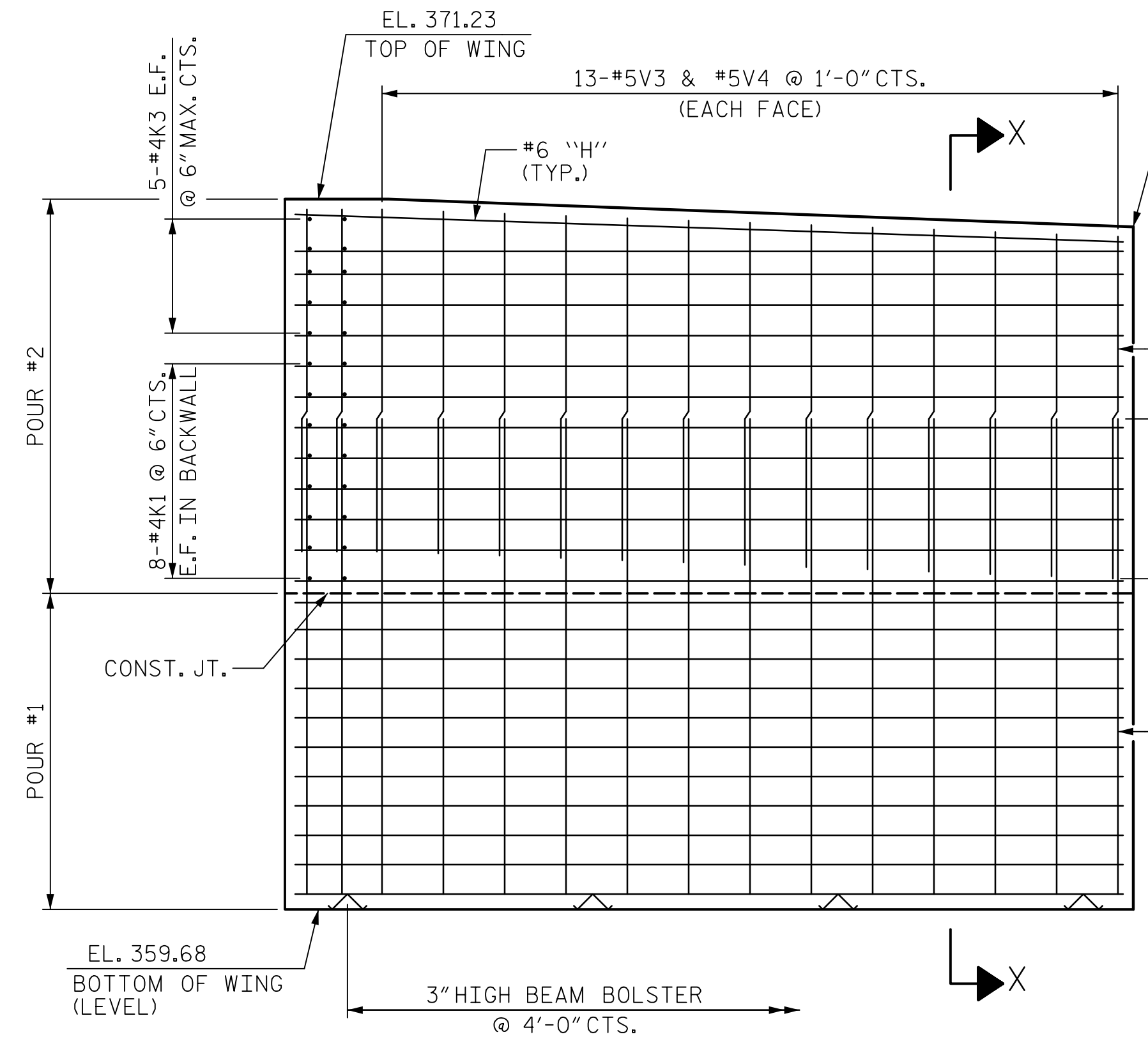
USER: jmorris@aec.com
DIR: \\vnc\comnet\comnet\sa\AMEFA\RAleigh\USRAL3\Legacy\Projects\60436195-B-4654\000\Wing\K910\CAD\70_MCDOT_TTP\Structures\04 Drawings\400_09_535_B4654_SML_EBL_3.dgn



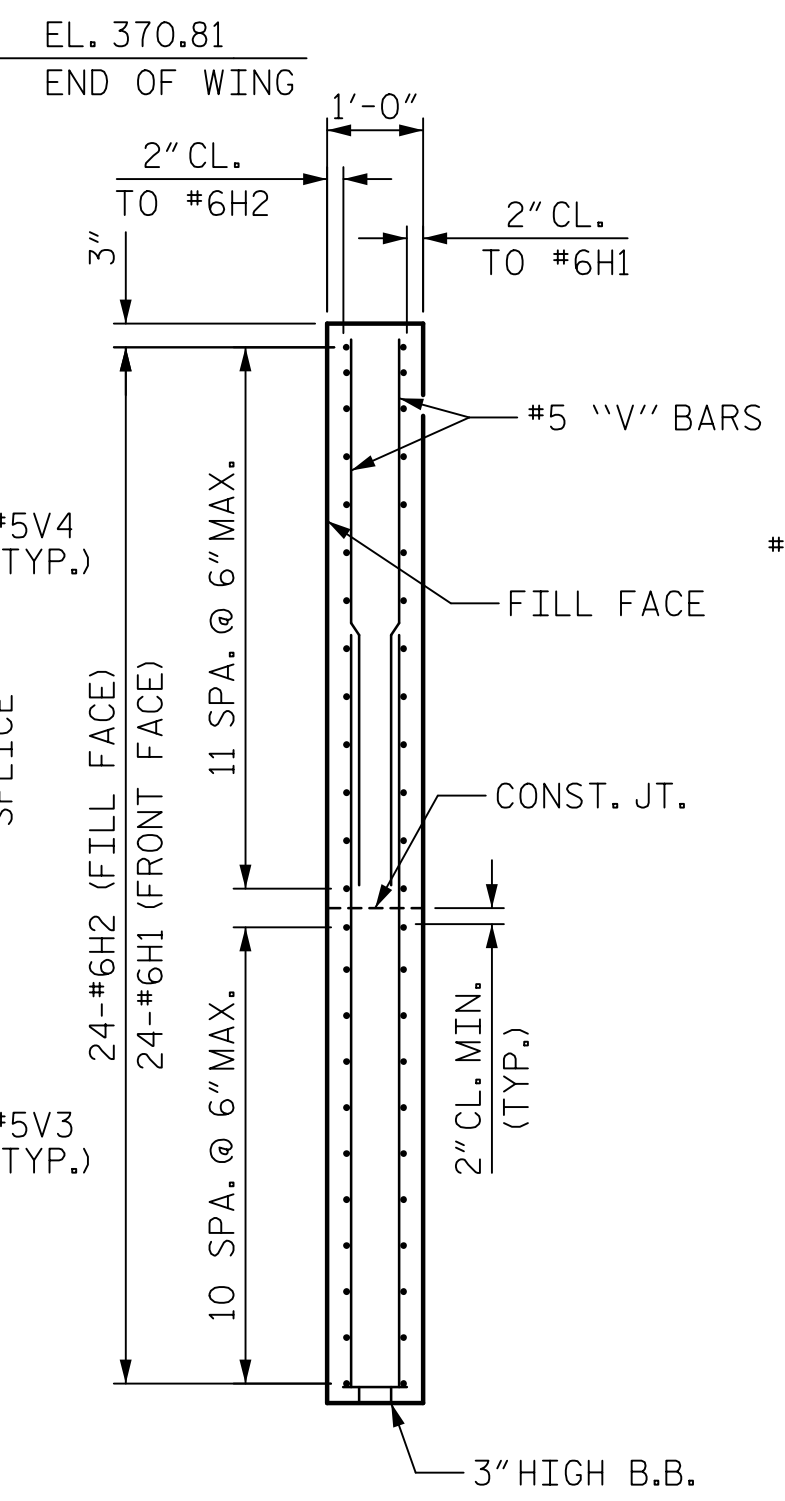
PLAN OF WING (W1)



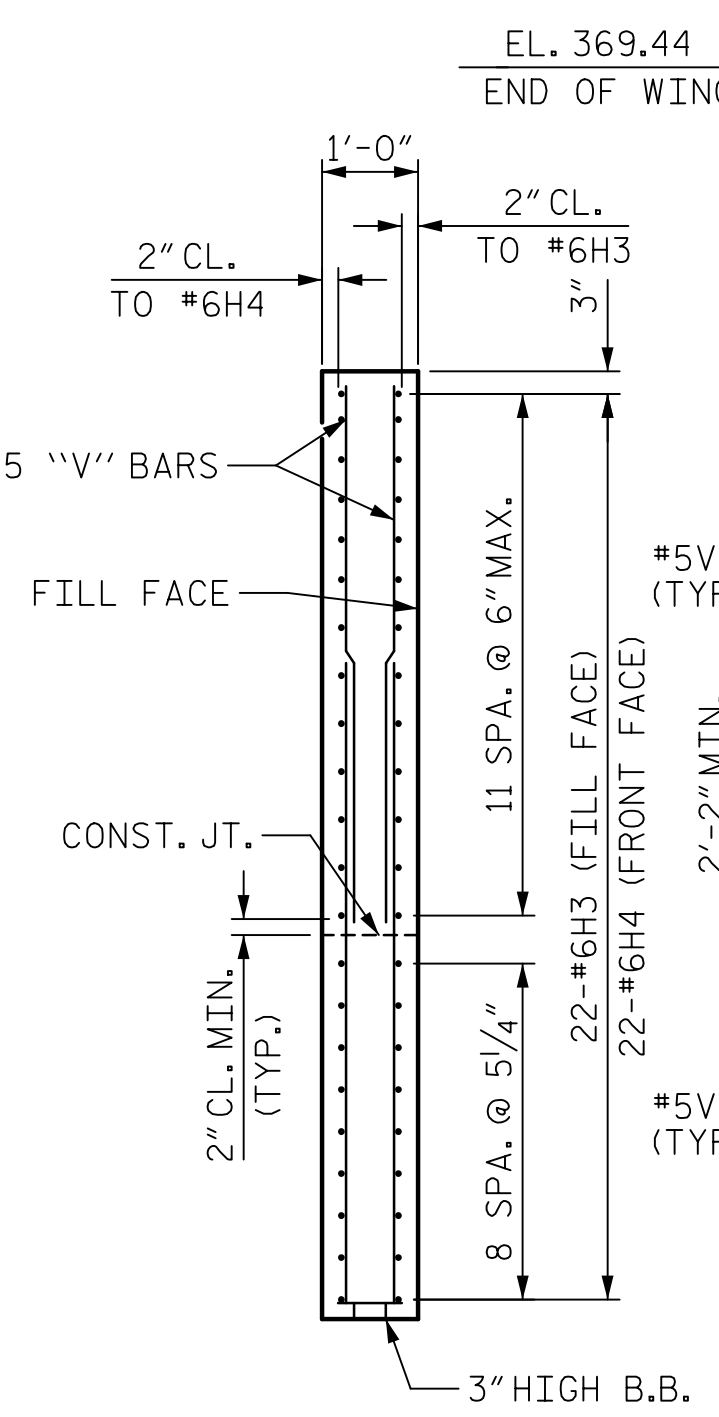
PLAN OF WING (W2)



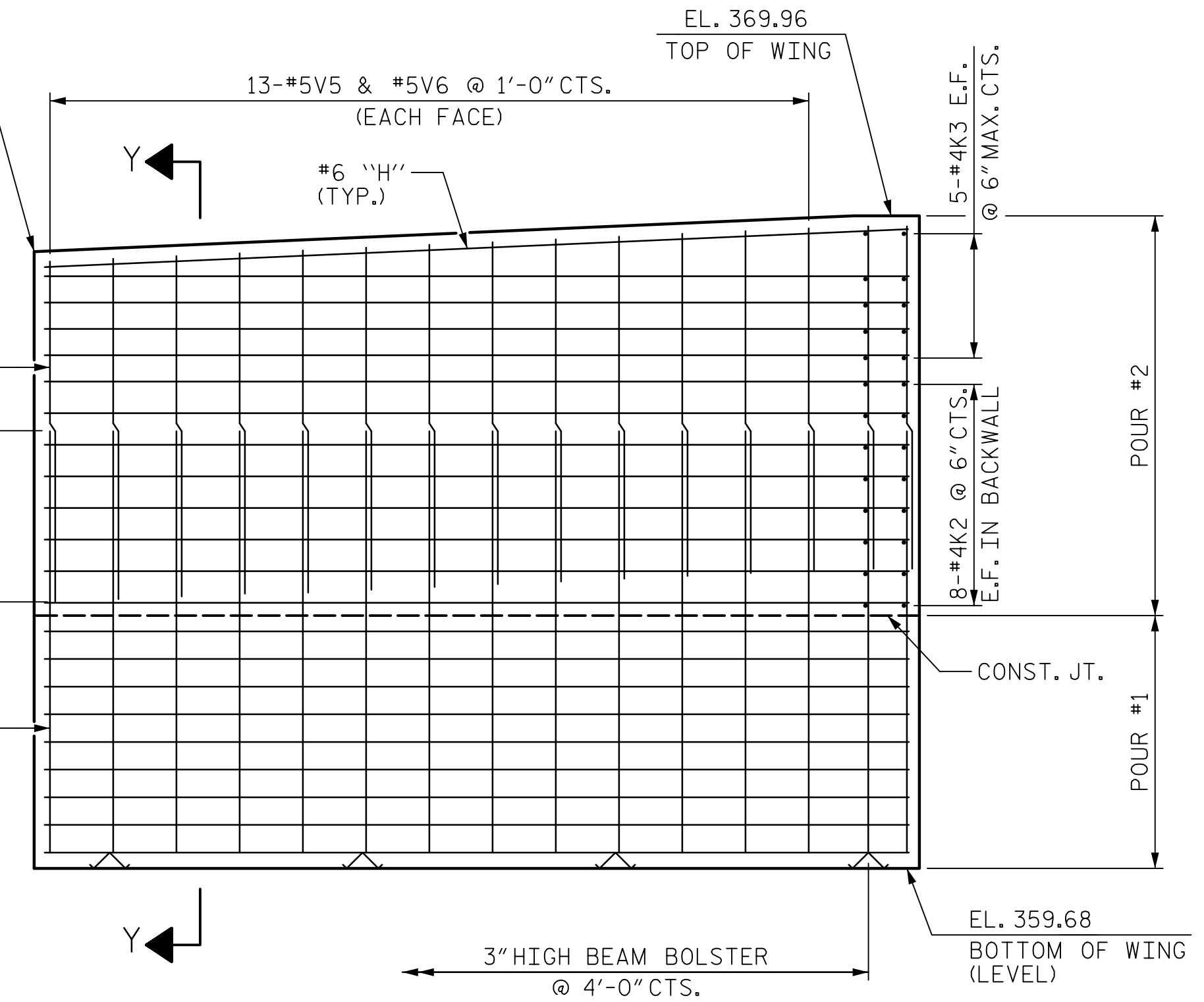
ELEVATION OF WING (W1)
(STAGE I)



SECTION X-X
(STAGE I)



SECTION Y-Y
(STAGE II)



ELEVATION OF WING (W2)
(STAGE II)

PROJECT NO. B-4654
WAKE COUNTY
STATION: 22+71.80 -L-

SHEET 3 OF 5



STATE OF NORTH CAROLINA
DEPARTMENT OF TRANSPORTATION
RALEIGH

SUBSTRUCTURE

END BENT 1
WING WALLS

DRAWN BY : T.B. STUMP	DATE : 01/2019
CHECKED BY : J.C. MORRISON	DATE : 01/2019
DESIGNED BY : T.B. STUMP	DATE : 01/2019
DESIGN CHECKED BY : J.C. MORRISON	DATE : 01/2019

DOCUMENT NOT CONSIDERED
FINAL UNLESS ALL
SIGNATURES COMPLETED

REVISIONS						SHEET NO. S-35
NO.	BY:	DATE:	NO.	BY:	DATE:	
1			3			TOTAL SHEETS
2			4			49

1/19/2023