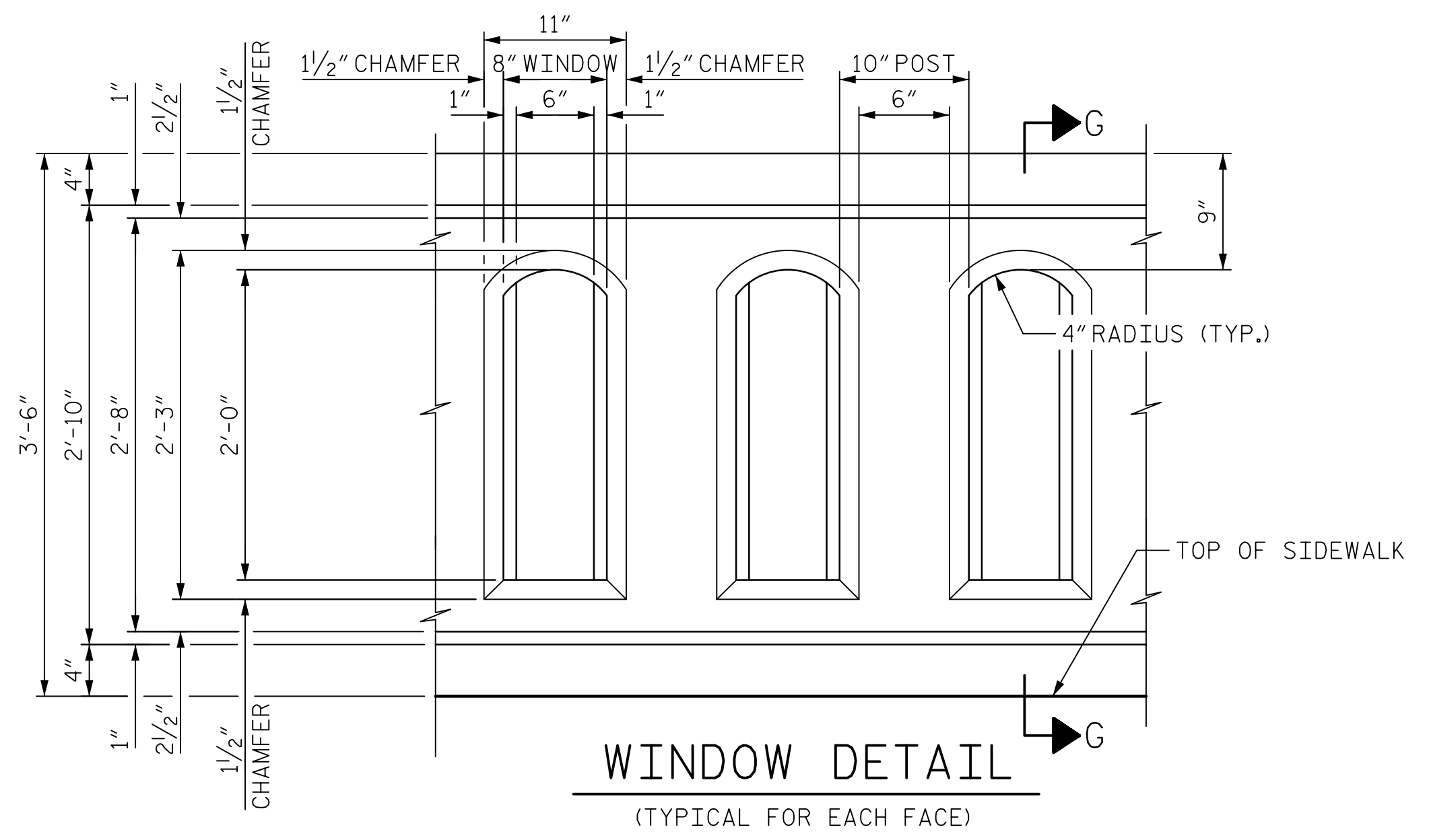
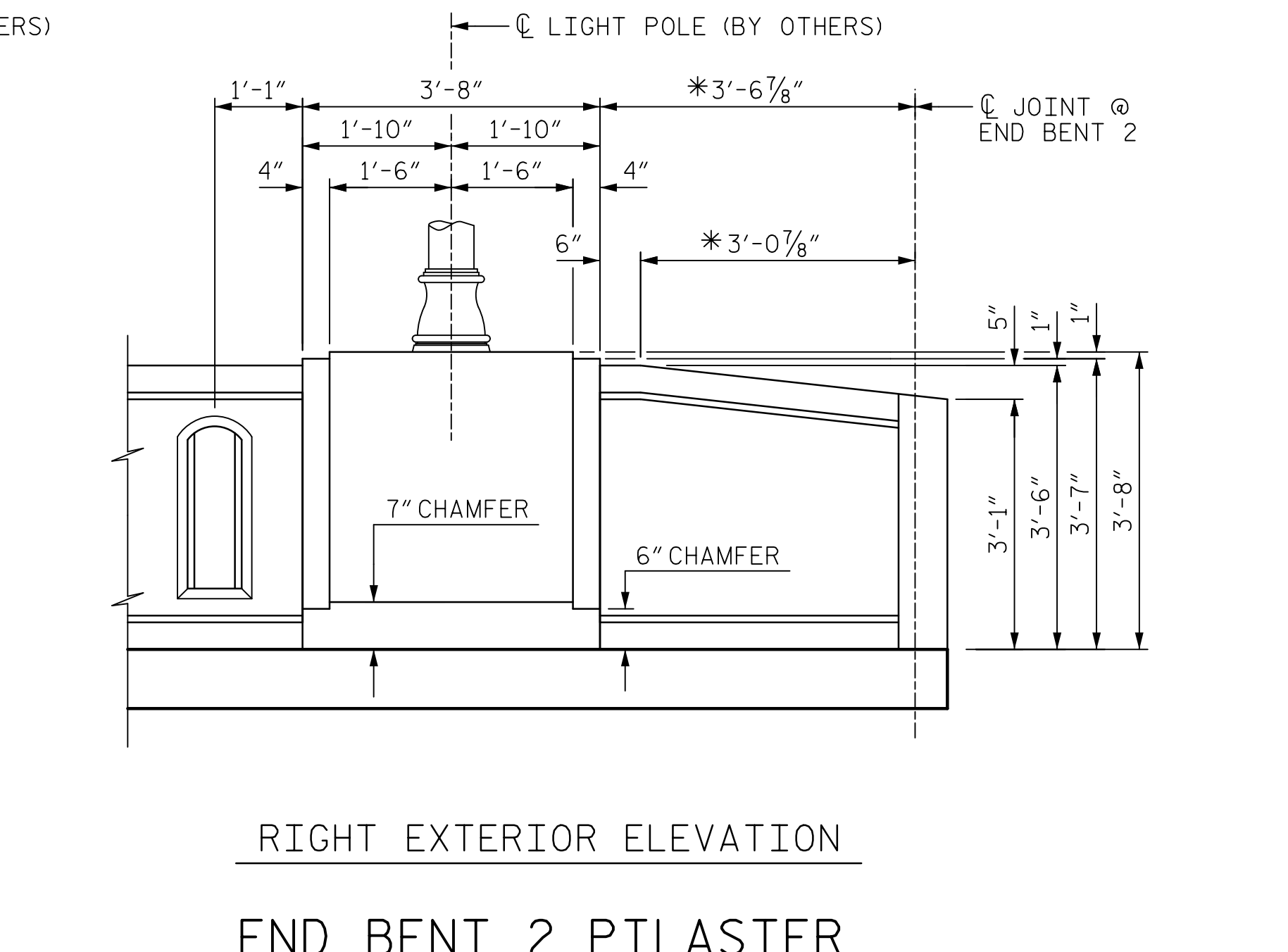
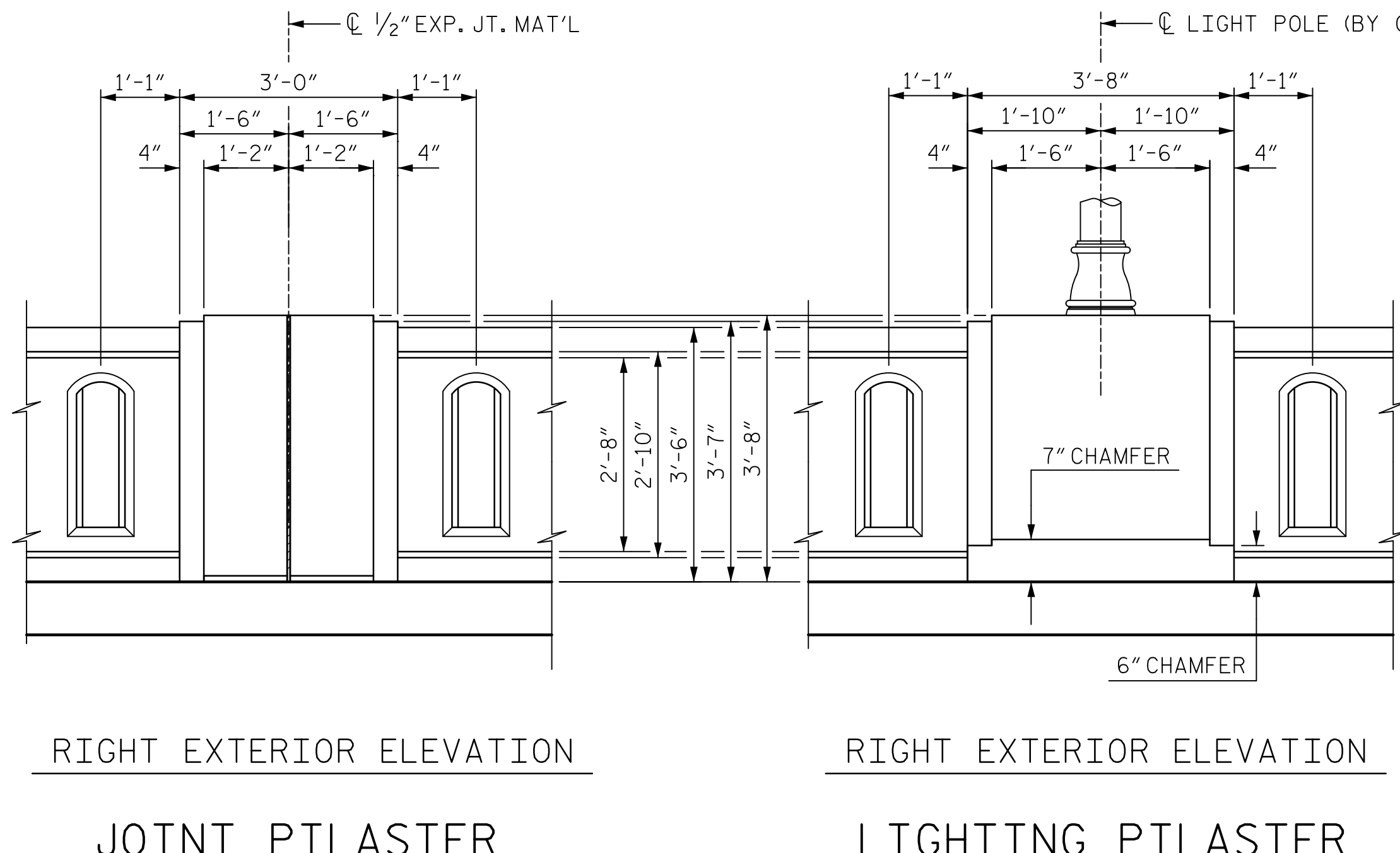
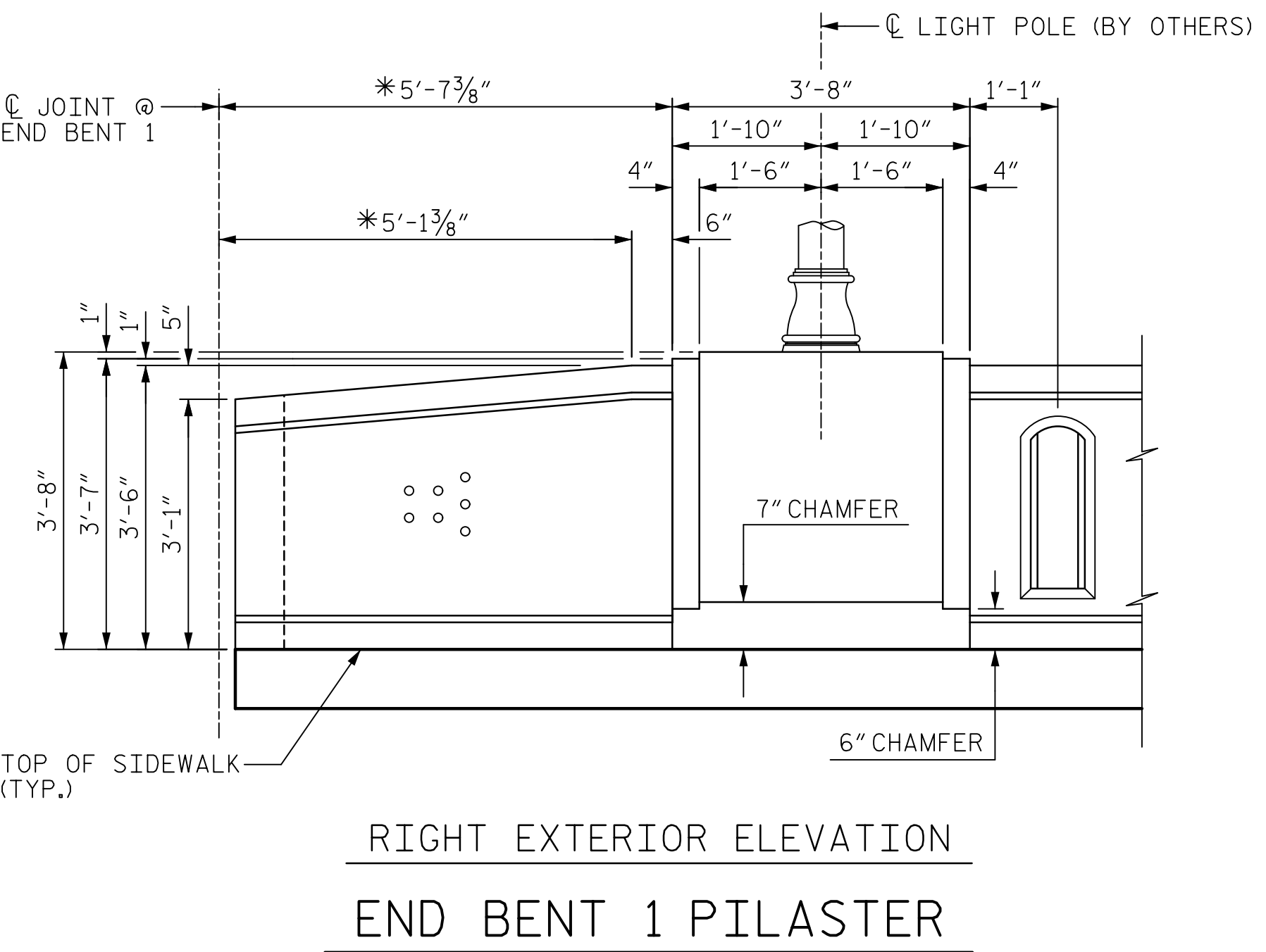
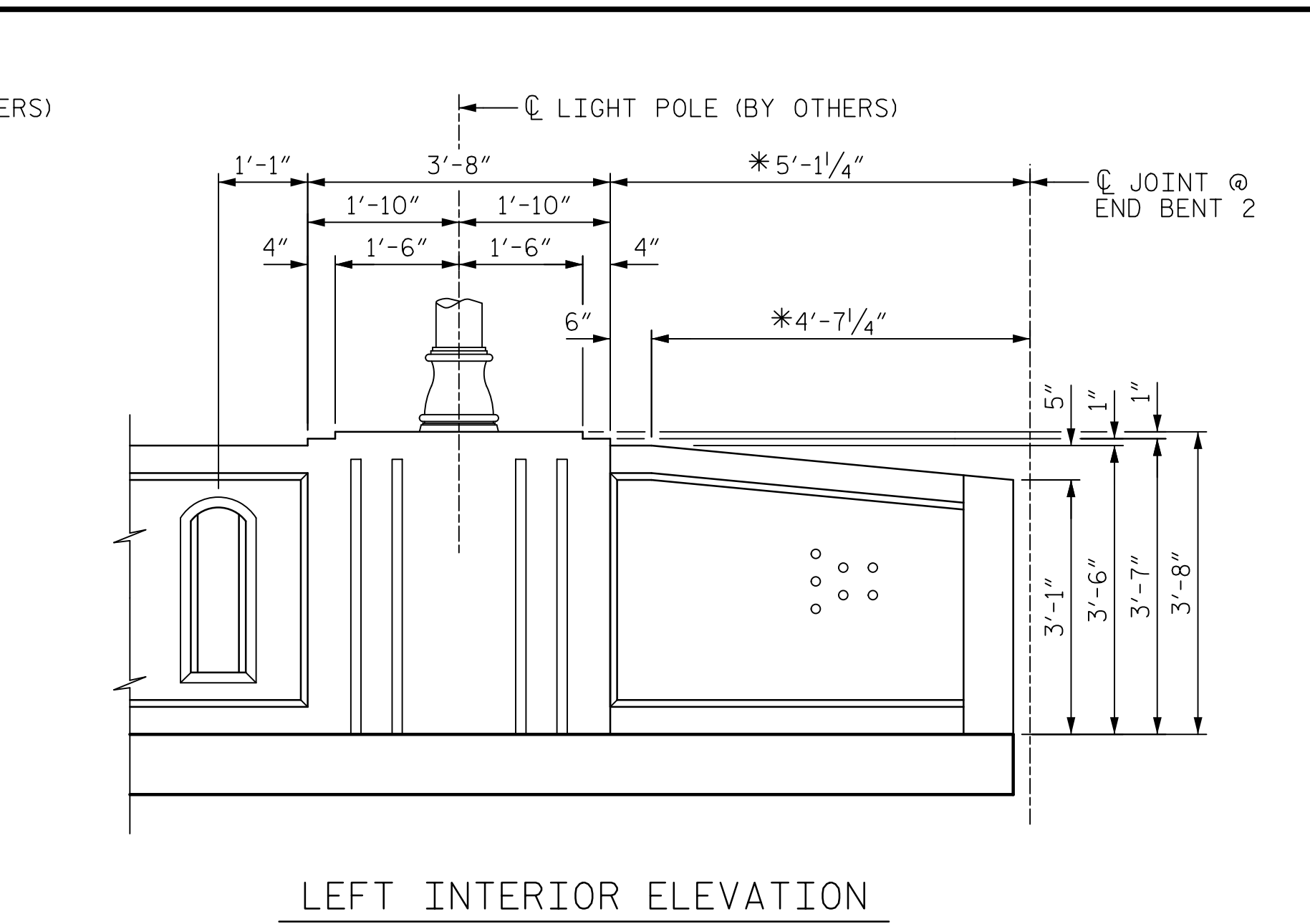
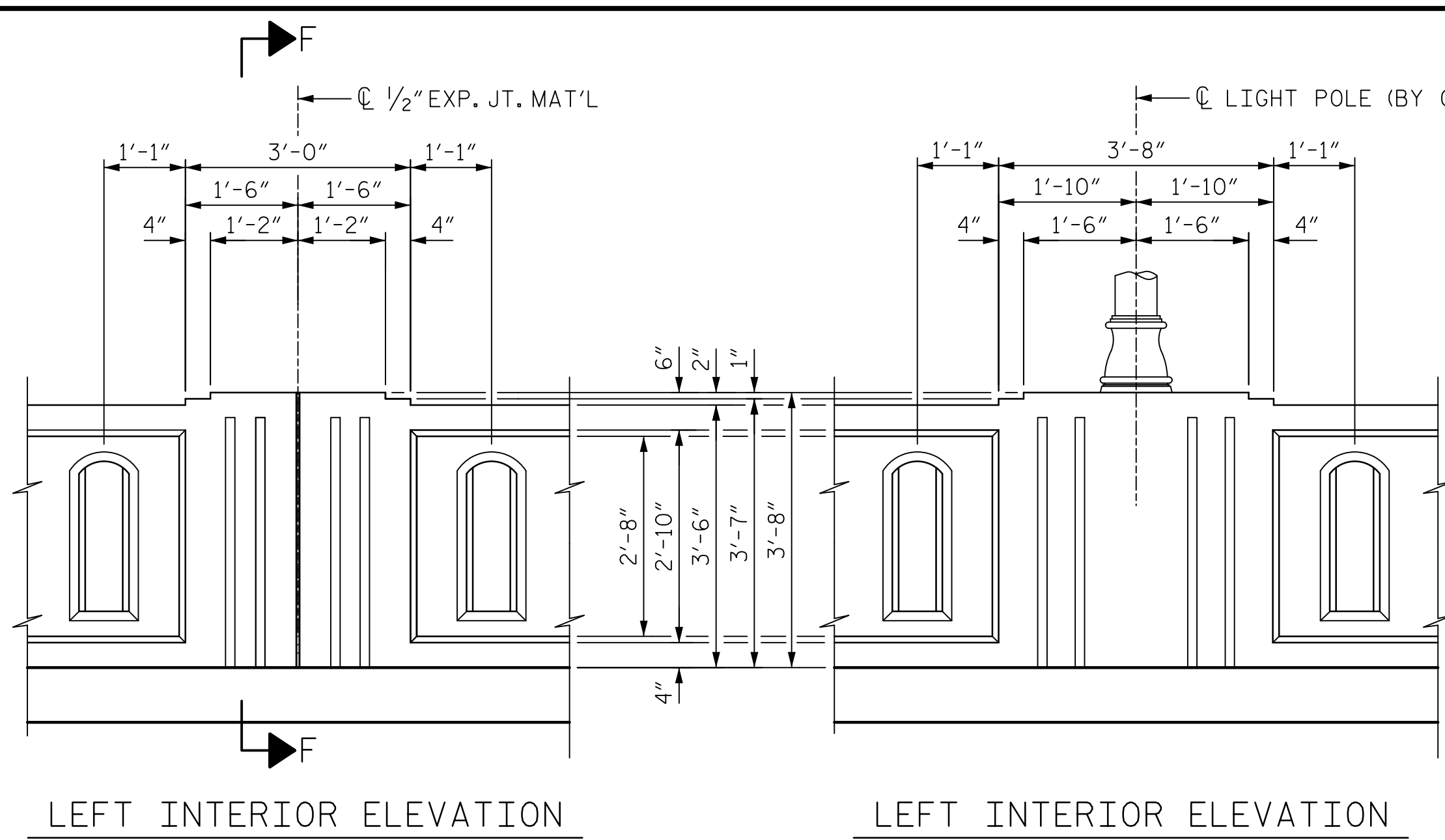
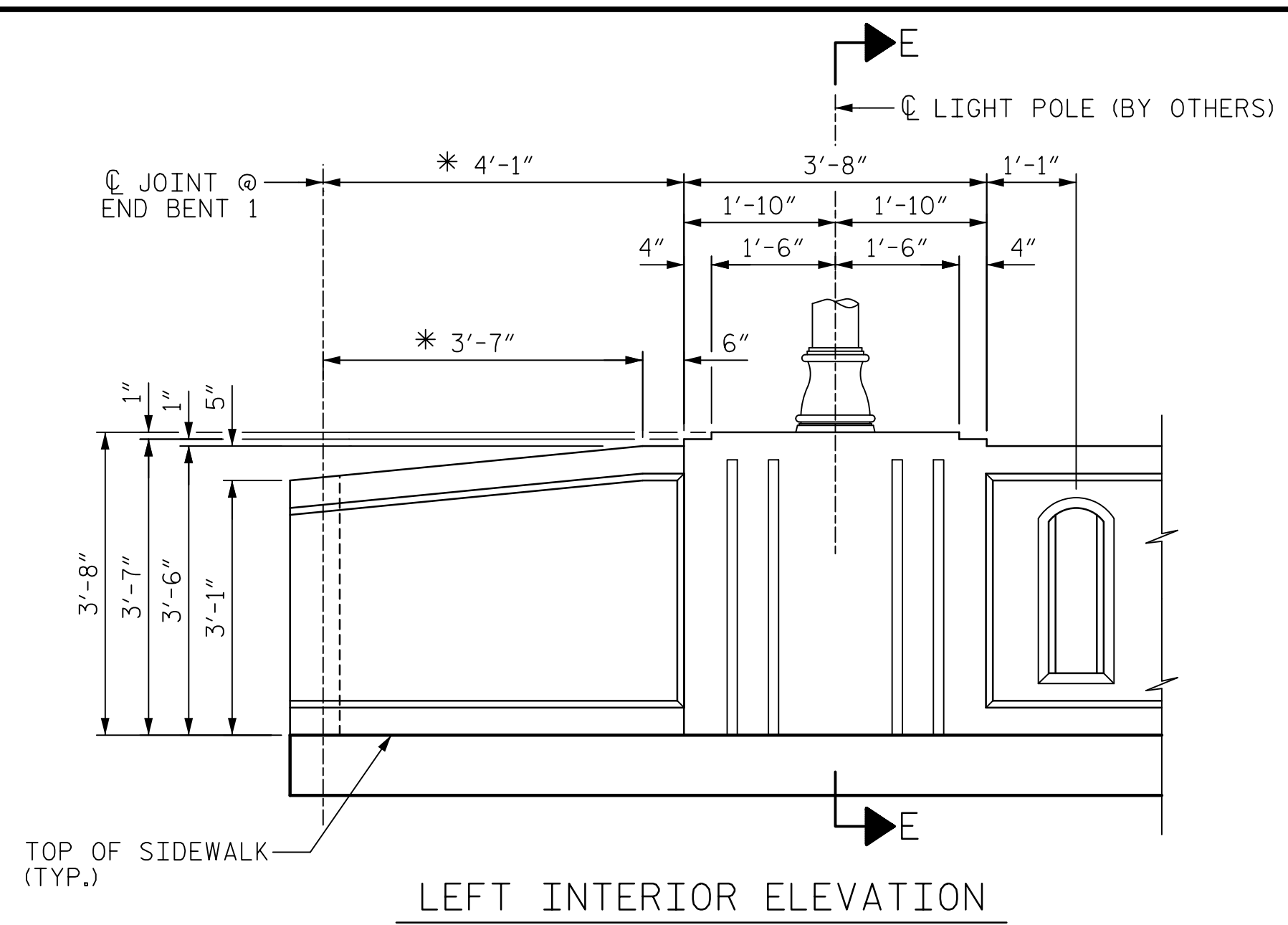


DATE: 1/19/2023
TIME: 9:43:27 AM

USER: rmuench
DIR: \\vncorcom\com\fr\sa\me\fa\raleigh\USRAL3\Legacy\Projects\60436195-B-465A\000\Wor\K910\CAD\VO_MCDOT_TTP\Structures\04 Drawings\2022 Updates\400_A1_S21_B465A_LSMU_CCBRC2.dgn



* MEASURED ALONG OUTSIDE OF DECK

- NOTE:
- FOR SECTIONS, SEE SHEET 5 OF 7, SHEET 6 OF 7 AND SHEET 7 OF 7.
 - PVC CONDUIT FOR BRIDGE LIGHTING NOT SHOWN FOR CLARITY

PROJECT NO. B-4654
WAKE COUNTY
 STATION: 22+71.80 -L-

SHEET 2 OF 7



STATE OF NORTH CAROLINA
 DEPARTMENT OF TRANSPORTATION
 RALEIGH
 SUPERSTRUCTURE
 CLASSIC CONCRETE
 BRIDGE RAIL
 DETAILS

DRAWN BY : K. MUENCH	DATE : 10/2022
CHECKED BY : J.C. MORRISON	DATE : 10/2022
DESIGNED BY : K. MUENCH	DATE : 10/2022
DESIGN CHECKED BY : J.C. MORRISON	DATE : 10/2022

DOCUMENT NOT CONSIDERED
 FINAL UNLESS ALL
 SIGNATURES COMPLETED

REVISIONS						SHEET NO.
NO.	BY:	DATE:	NO.	BY:	DATE:	S-21
1			3			TOTAL SHEETS
2			4			49