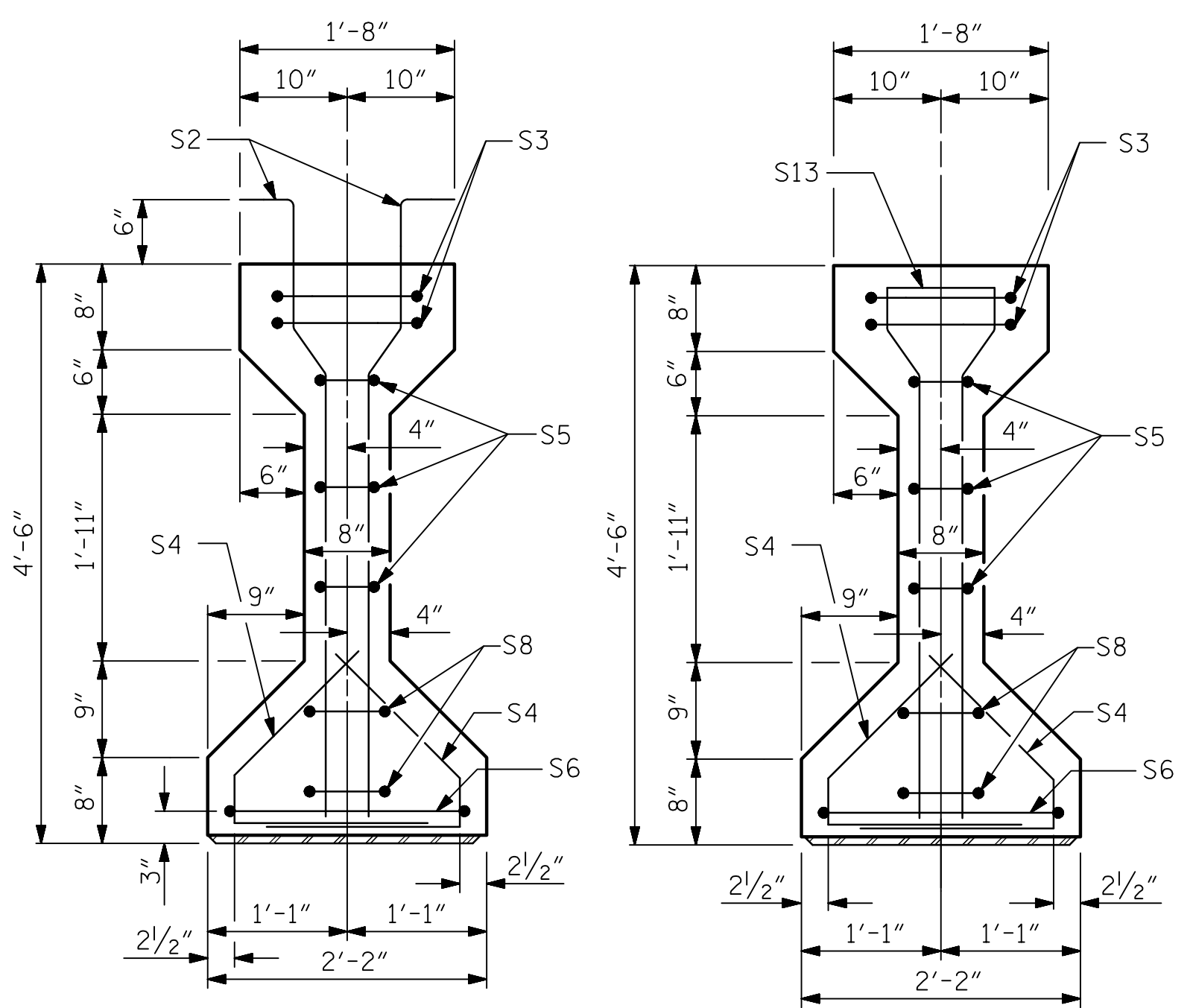


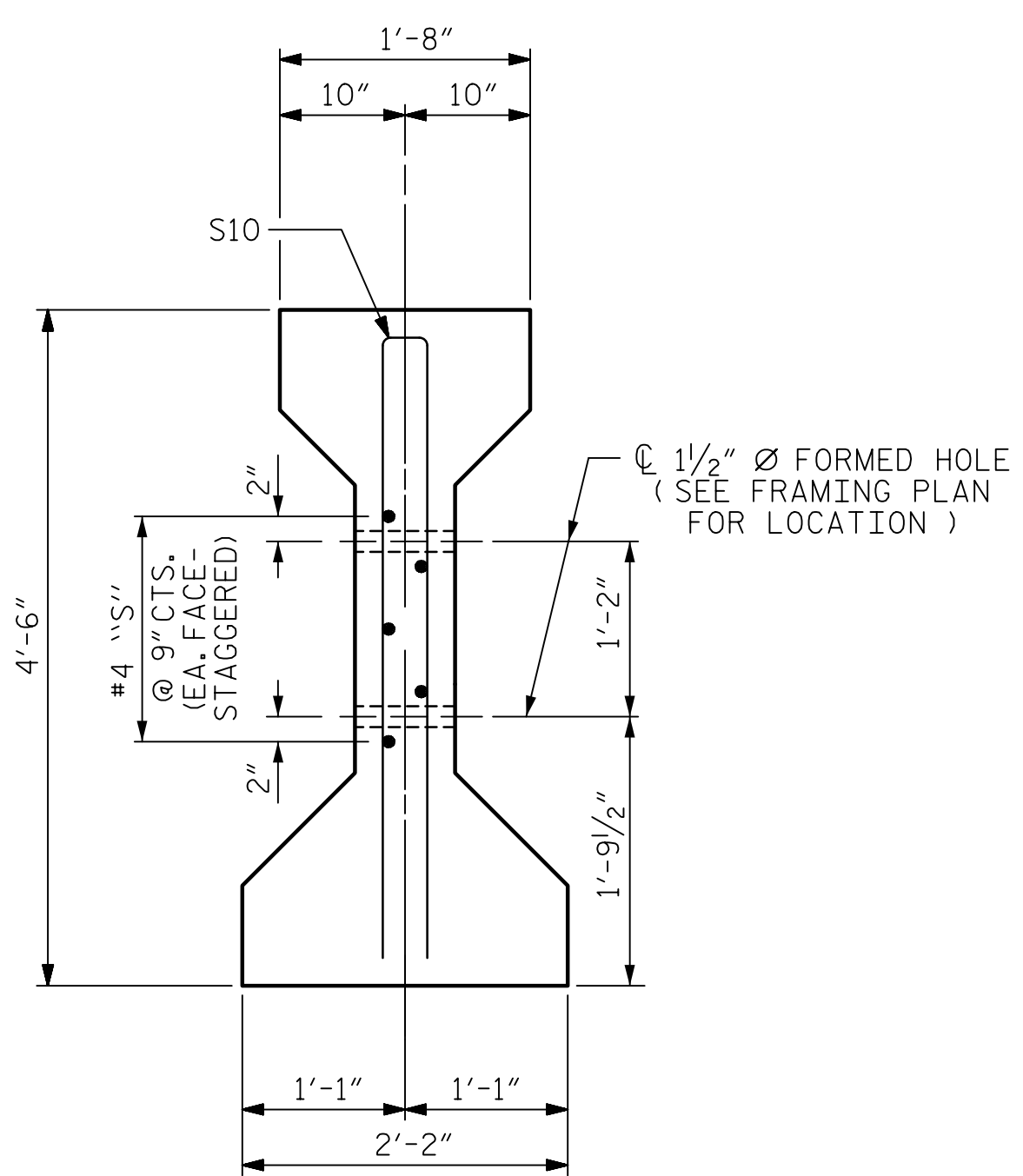
DATE: 1/19/2023
TIME: 9:25:32 AM

USER: vncorcom\morrison\jmorris\Projects\60436195-B-465A-GDR\K910\CAD\GDR\GDR_5-6\B-465A-SMU_PC02.dgn

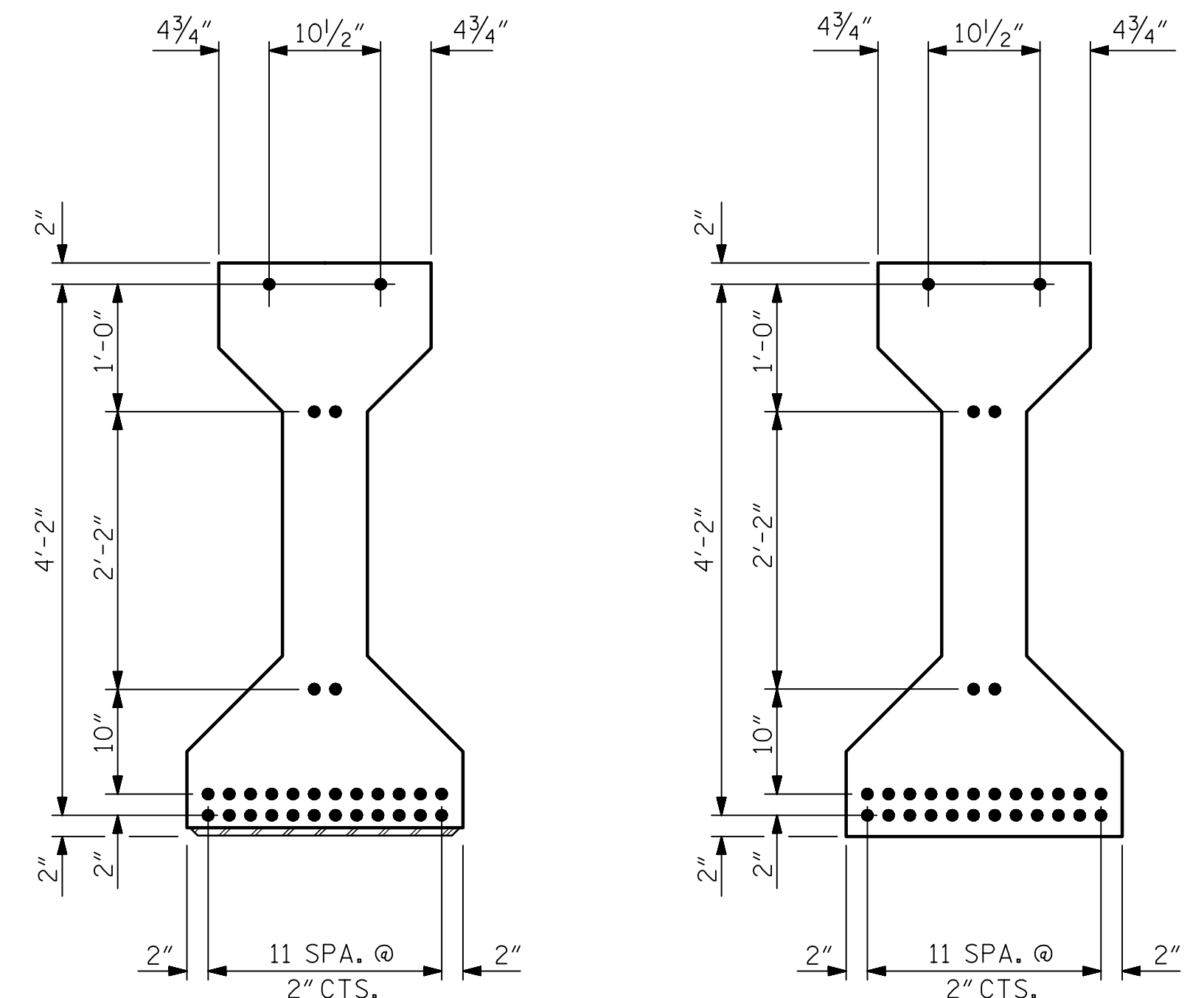


SECTION A-A

SECTION B-B



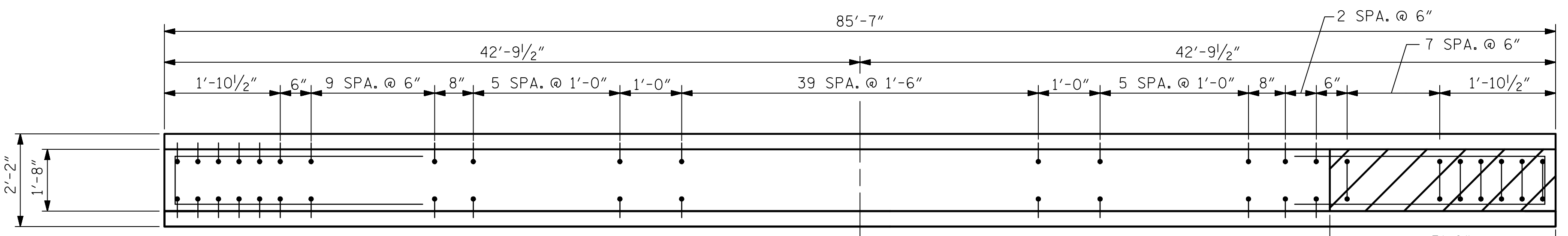
SECTION C-C
(S1 BARS NOT SHOWN)



AT END OF GIRDER

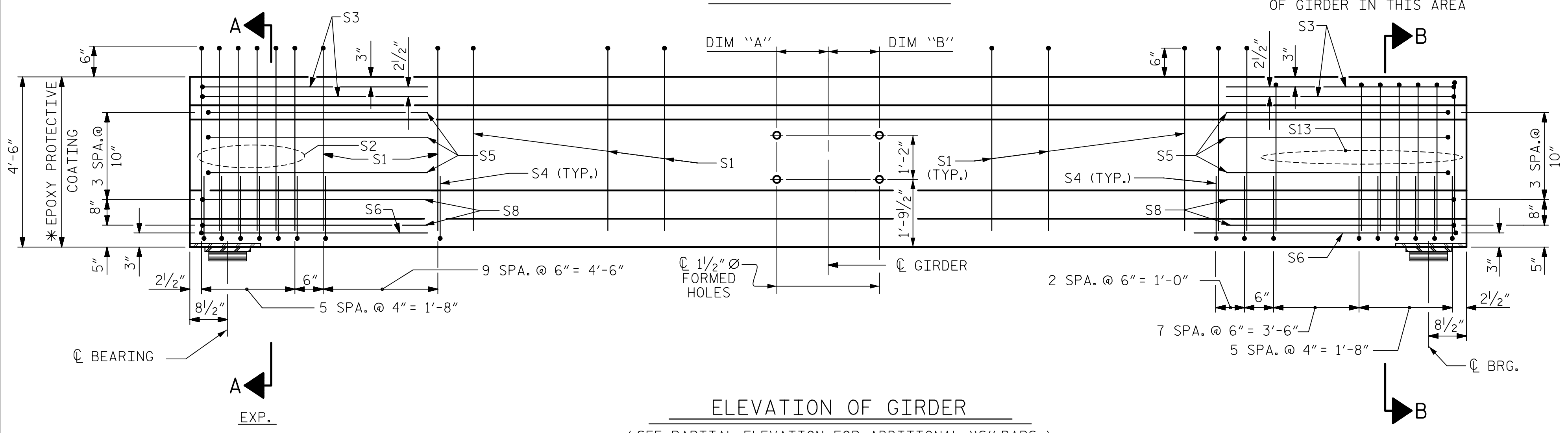
AT CL OF GIRDER

0.6" Ø LOW RELAXATION STRAND LAYOUT



PLAN OF GIRDER

DO NOT RAKE THE TOP OF GIRDER IN THIS AREA

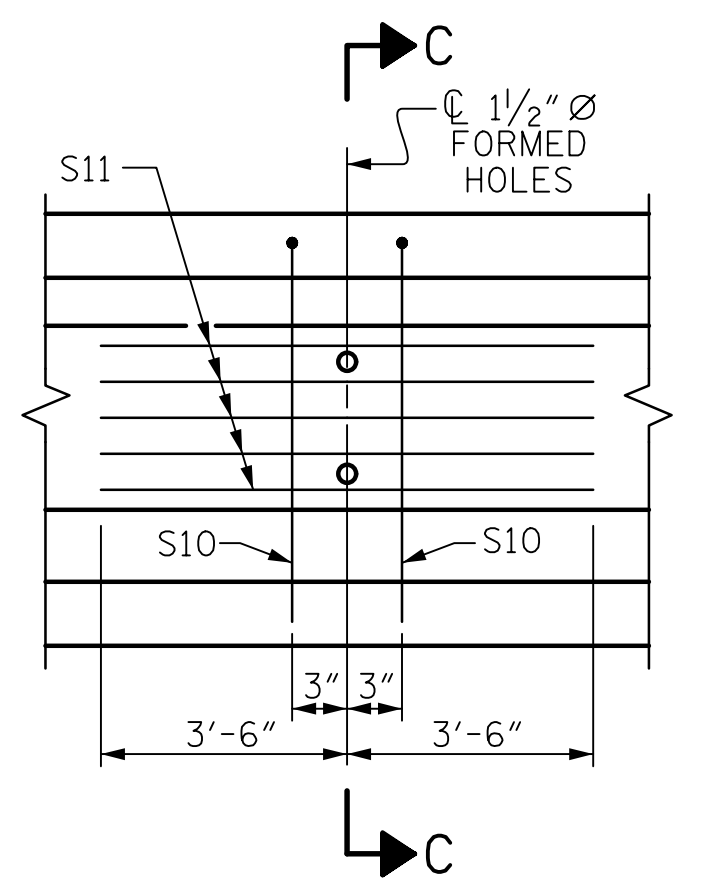


ELEVATION OF GIRDER

(SEE PARTIAL ELEVATION FOR ADDITIONAL "S" BARS)

* TYPICAL BOTH ENDS

1 1/2" FORMED HOLE LOCATIONS		
	DIM "A"	DIM "B"
GDR. 5	-	3'-0 1/16"
GDR. 6	3'-0 7/16"	-



PARTIAL ELEVATION

SHOWING INTERMEDIATE DIAPHRAGM REINFORCING STEEL FOR GIRDER Nos. 5 & 6

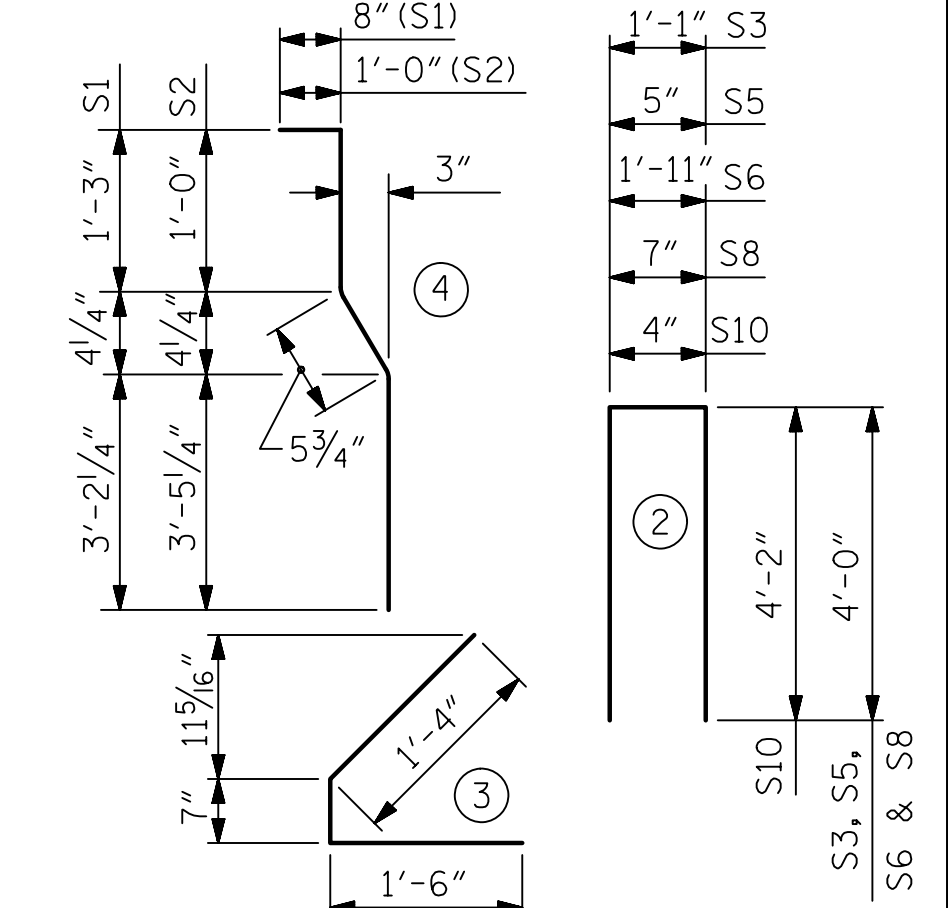
0.6" Ø L. R. GRADE 270 STRANDS		
AREA (SQUARE INCHES)	ULTIMATE STRENGTH (LBS. PER STRAND)	APPLIED PRESTRESS (LBS. PER STRAND)
0.217	58,600	43,950

REINFORCING STEEL FOR ONE GIRDER					
BAR	NUMBER	SIZE	TYPE	LENGTH	WEIGHT
S1	130	#4	4	5'-7"	485
S2	12	#6	4	5'-11"	107
S3	4	#4	2	9'-1"	24
S4	64	#4	3	3'-5"	146
S5	6	#4	2	8'-5"	34
S6	2	#4	2	9'-11"	13
S8	4	#4	2	8'-7"	23
S10	2	#5	2	8'-8"	18
S11	5	#4	STR	7'-0"	23
S13	13	#6	1**	9'-4"	182

** FOR BAR S13 BEND DIAGRAM, SEE SHEET S-13

BAR TYPES

ALL BAR DIMENSIONS ARE OUT-TO-OUT



QUANTITIES FOR ONE GIRDER

	REINFORCING STEEL	7000 PSI CONCRETE	0.6" Ø L. R. STRANDS
	LB.	C.Y.	No.
GDR. 5 & 6	1055	17.4	30

GIRDERS REQUIRED

NUMBER	LENGTH	TOTAL LENGTH
2	85'-7"	171'-2"

PROJECT NO. B-4654
WAKE COUNTY
STATION: 22+71.80 -L-

SHEET 2 OF 5



STATE OF NORTH CAROLINA
DEPARTMENT OF TRANSPORTATION
RALEIGH
STANDARD
AASHTO TYPE IV
PRESTRESSED CONCRETE GIRDER
LINK SLAB
(SPAN A, GIRDERS 5 & 6)

REVISIONS						SHEET NO. S-14
NO.	BY:	DATE:	NO.	BY:	DATE:	
1			3			TOTAL SHEETS 49
2			4			

DOCUMENT NOT CONSIDERED FINAL UNLESS ALL SIGNATURES COMPLETED

ASSEMBLED BY : K. MUENCH	DATE : 05/2022
CHECKED BY : J.C. MORRISON	DATE : 05/2022
DRAWN BY : BNB 09/21	REV. ---
CHECKED BY : AAI 09/21	REV. ---