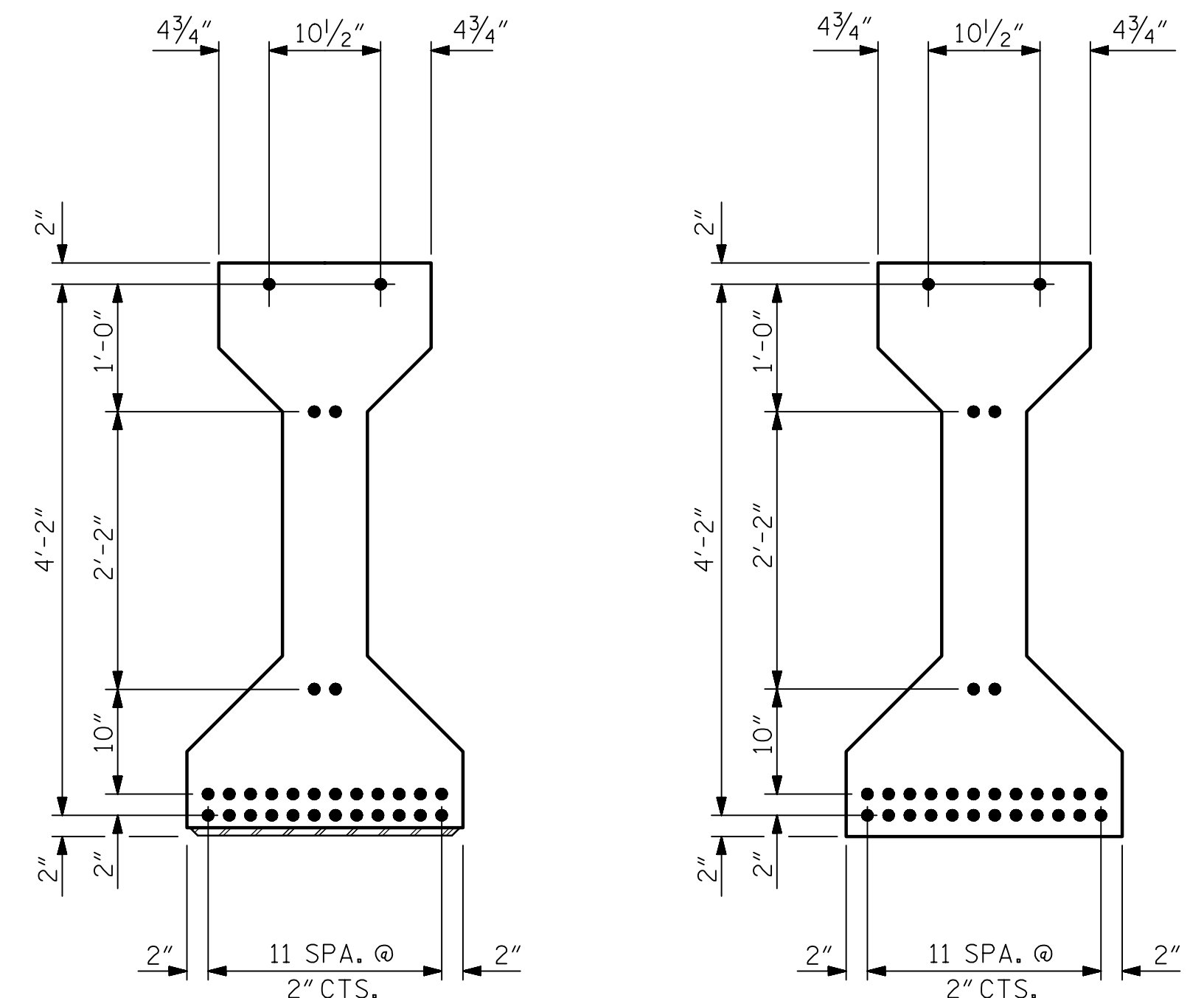
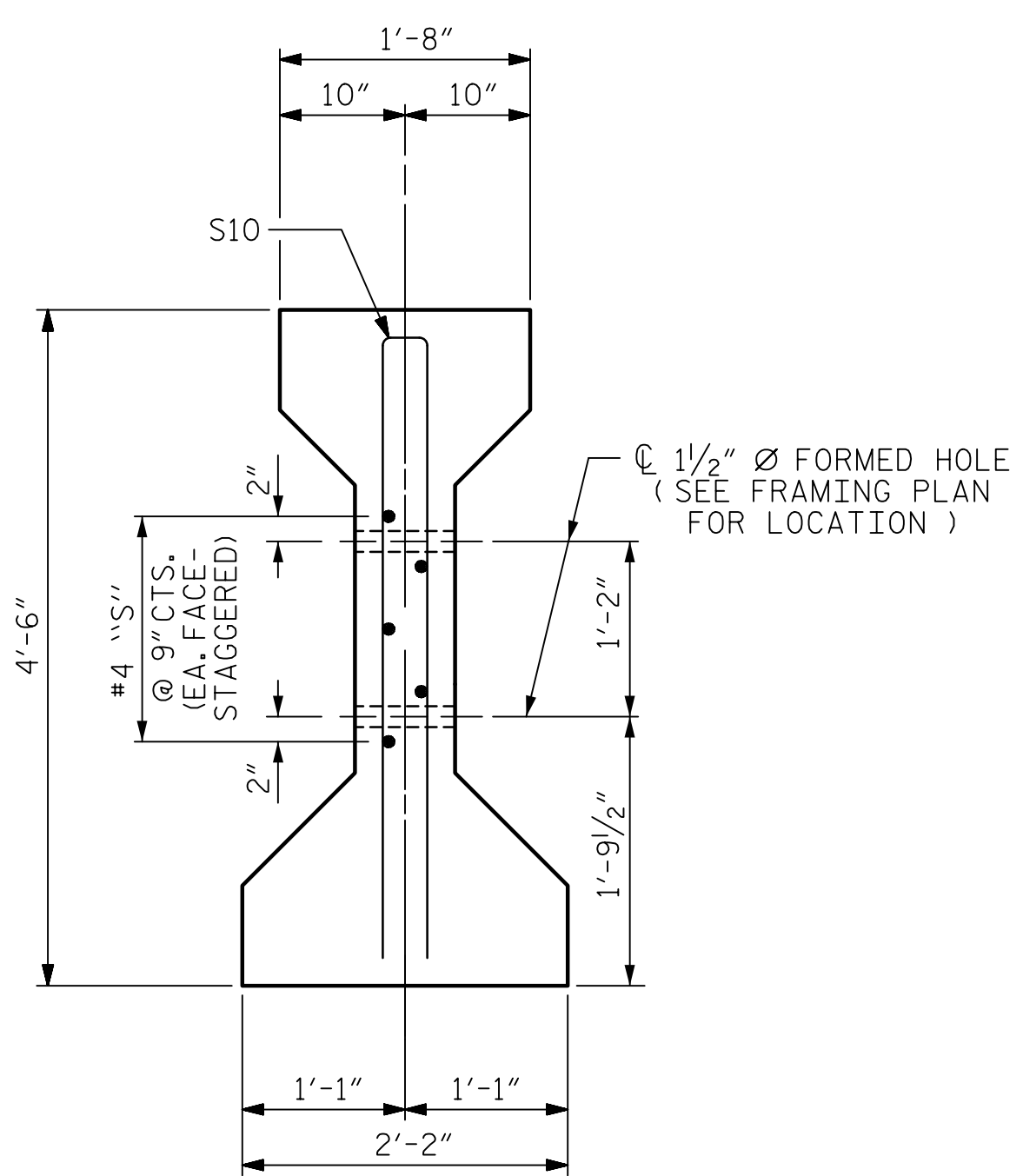
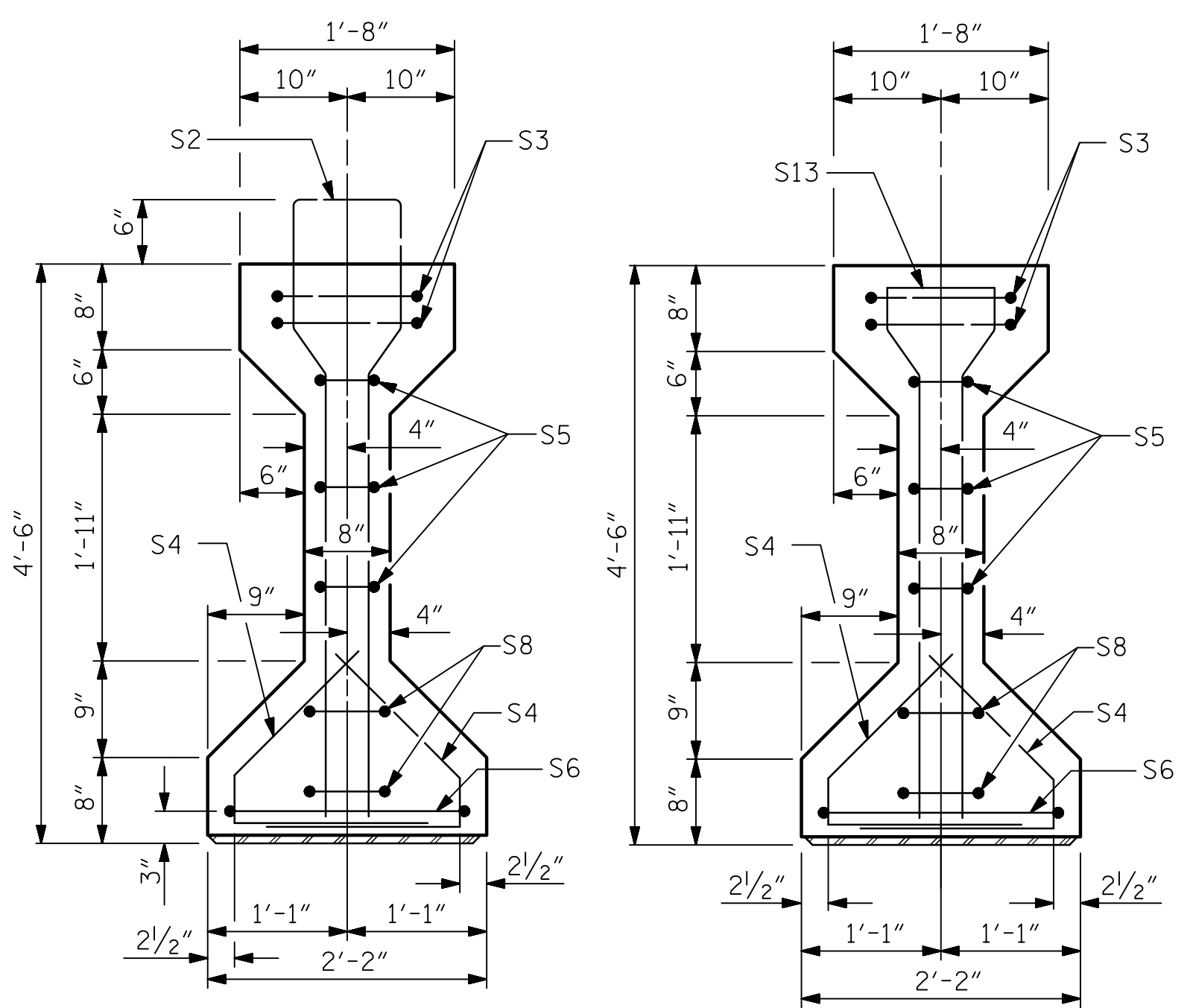


DATE: 1/19/2023
TIME: 9:22:31 AM

USER: vnczcomet.com\NCS\AMEFA\John.C.Morrison\Projects\60436195-B-465A\000\Wor\K910\CAD\70_MCDOT_TIP\Structures\04_Drawing\2022_Updates\400_25_513_B4654_S11_P001.dgn



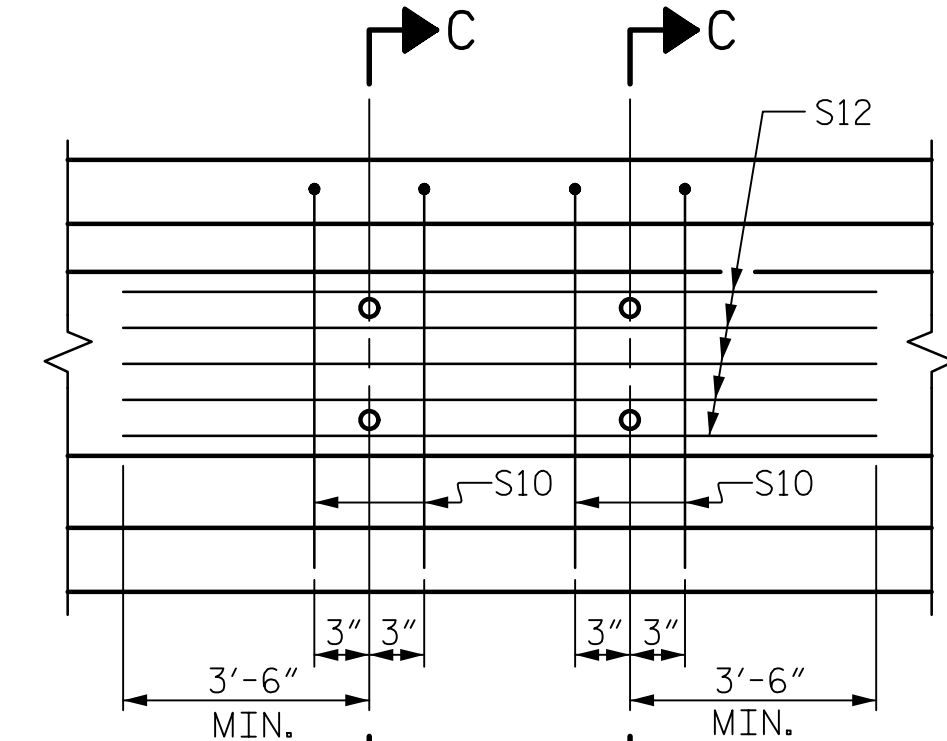
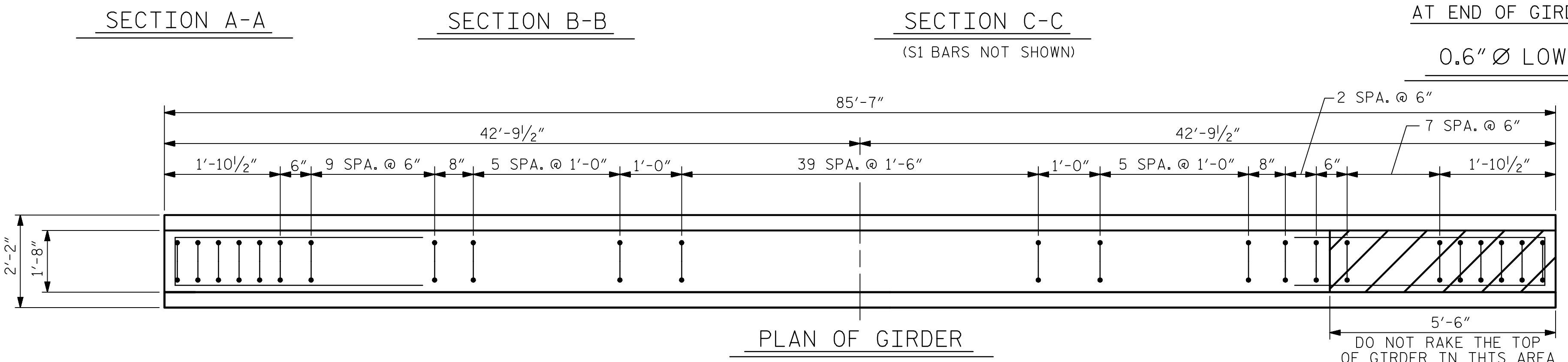
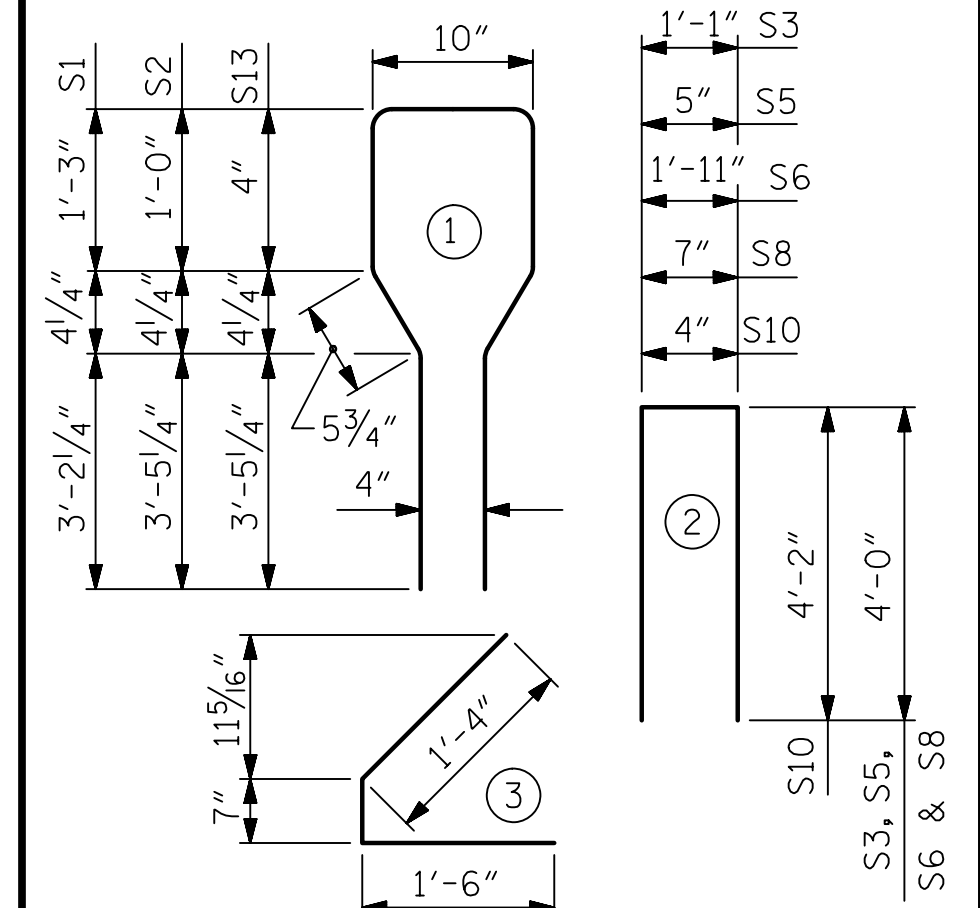
0.6" Ø L. R. GRADE 270 STRANDS		
AREA (SQUARE INCHES)	ULTIMATE STRENGTH (LBS. PER STRAND)	APPLIED PRESTRESS (LBS. PER STRAND)
0.217	58,600	43,950

REINFORCING STEEL FOR ONE GIRDER					
BAR	NUMBER	SIZE	TYPE	LENGTH	WEIGHT
S1	65	#4	1	10'-8"	463
S2	6	#6	1	10'-8"	96
S3	4	#4	2	9'-1"	24
S4	64	#4	3	3'-5"	146
S5	6	#4	2	8'-5"	34
S6	2	#4	2	9'-11"	13
S8	4	#4	2	8'-7"	23
S10	2	#5	2	8'-8"	18
S10	4	#5	2	8'-8"	36
S11	5	#4	STR	7'-0"	23
S12	5	#4	STR	13'-2"	44
S13	13	#6	1	9'-4"	182

GDR. 1, 7
GDR. 2-4
GDR. 1, 7
GDR. 2-4

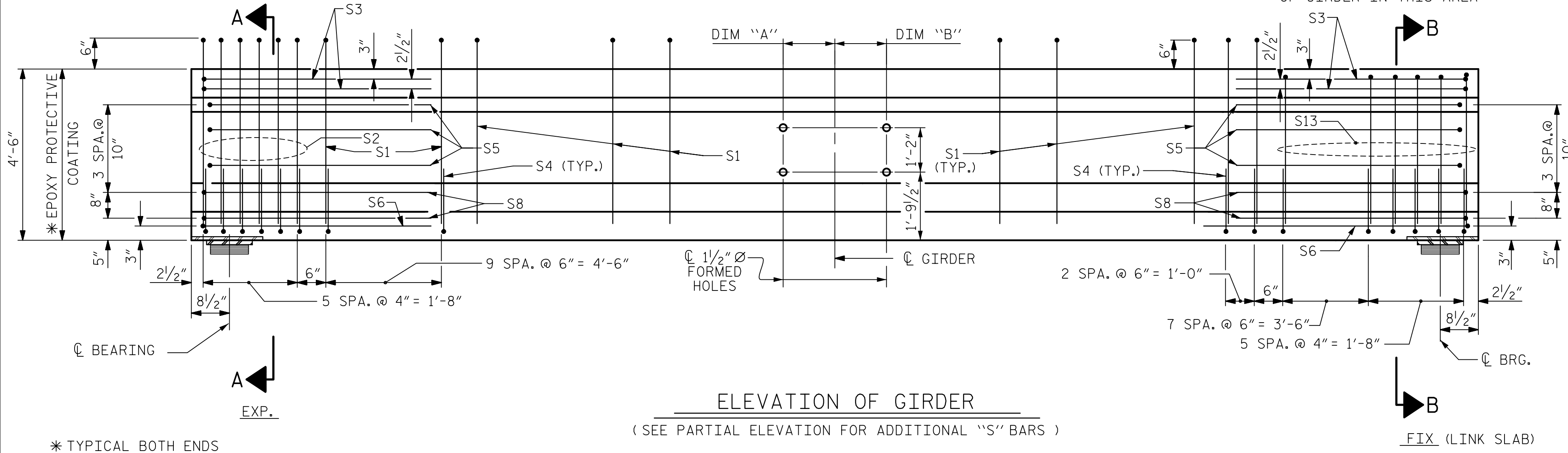
BAR TYPES

ALL BAR DIMENSIONS ARE OUT-TO-OUT



PARTIAL ELEVATION

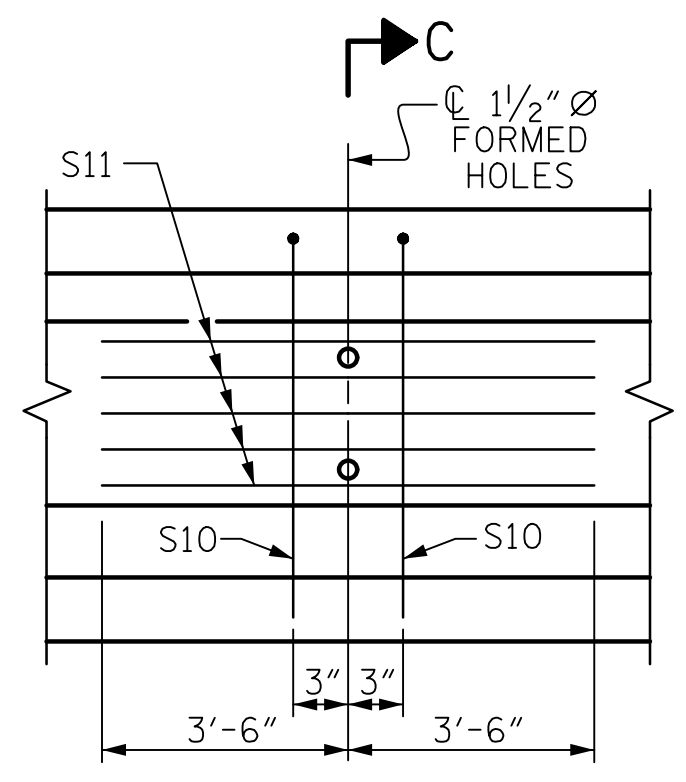
SHOWING INTERMEDIATE DIAPHRAGM REINFORCING STEEL FOR GIRDER Nos. 2-4



ELEVATION OF GIRDER

(SEE PARTIAL ELEVATION FOR ADDITIONAL "S" BARS)

1 1/2" FORMED HOLE LOCATIONS		
	DIM "A"	DIM "B"
GDR. 1	3'-0 7/16"	-
GDR. 2, 3 & 4	3'-0 7/16"	3'-0 7/16"
GDR. 7	-	3'-0 7/16"



PARTIAL ELEVATION

SHOWING INTERMEDIATE DIAPHRAGM REINFORCING STEEL FOR GIRDER Nos. 1 & 7

DOCUMENT NOT CONSIDERED FINAL UNLESS ALL SIGNATURES COMPLETED

QUANTITIES FOR ONE GIRDER			
	REINFORCING STEEL LB.	7000 PSI CONCRETE C.Y.	0.6" Ø L. R. STRANDS No.
GDR. 1, 6, 7	1022	17.4	30
GDR. 2-4	1061	17.4	30

GIRDERS REQUIRED

NUMBER	LENGTH	TOTAL LENGTH
STAGE I 4	85'-7"	342'-4"
STAGE II 1	85'-7"	85'-7"
TOTAL 5	-	427'-11"

PROJECT NO. B-4654
WAKE COUNTY
STATION: 22+71.80 -L-

SHEET 1 OF 5

AECOM
AECOM TECHNICAL SERVICES OF NC, INC.
5438 WADE PARK BOULEVARD, SUITE 200
RALEIGH, NC 27607
(919) 854-6200 www.aecom.com
AECOM License No. F-0342

SEAL
NORTH CAROLINA PROFESSIONAL ENGINEER
John C. Morrison
1/19/2023

STATE OF NORTH CAROLINA
DEPARTMENT OF TRANSPORTATION
RALEIGH

STANDARD
AASHTO TYPE IV
PRESTRESSED CONCRETE GIRDER
LINK SLAB
(SPAN A, GIRDERS 1-4 & 7)

REVISIONS					
NO.	BY:	DATE:	NO.	BY:	DATE:
1			3		
2			4		

SHEET NO.	
S-13	TOTAL SHEETS
49	

ASSEMBLED BY : K. MUENCH	DATE : 05/2022
CHECKED BY : J.C. MORRISON	DATE : 05/2022
DRAWN BY : BNB 09/21	REV. ---
CHECKED BY : AAI 09/21	REV. ---