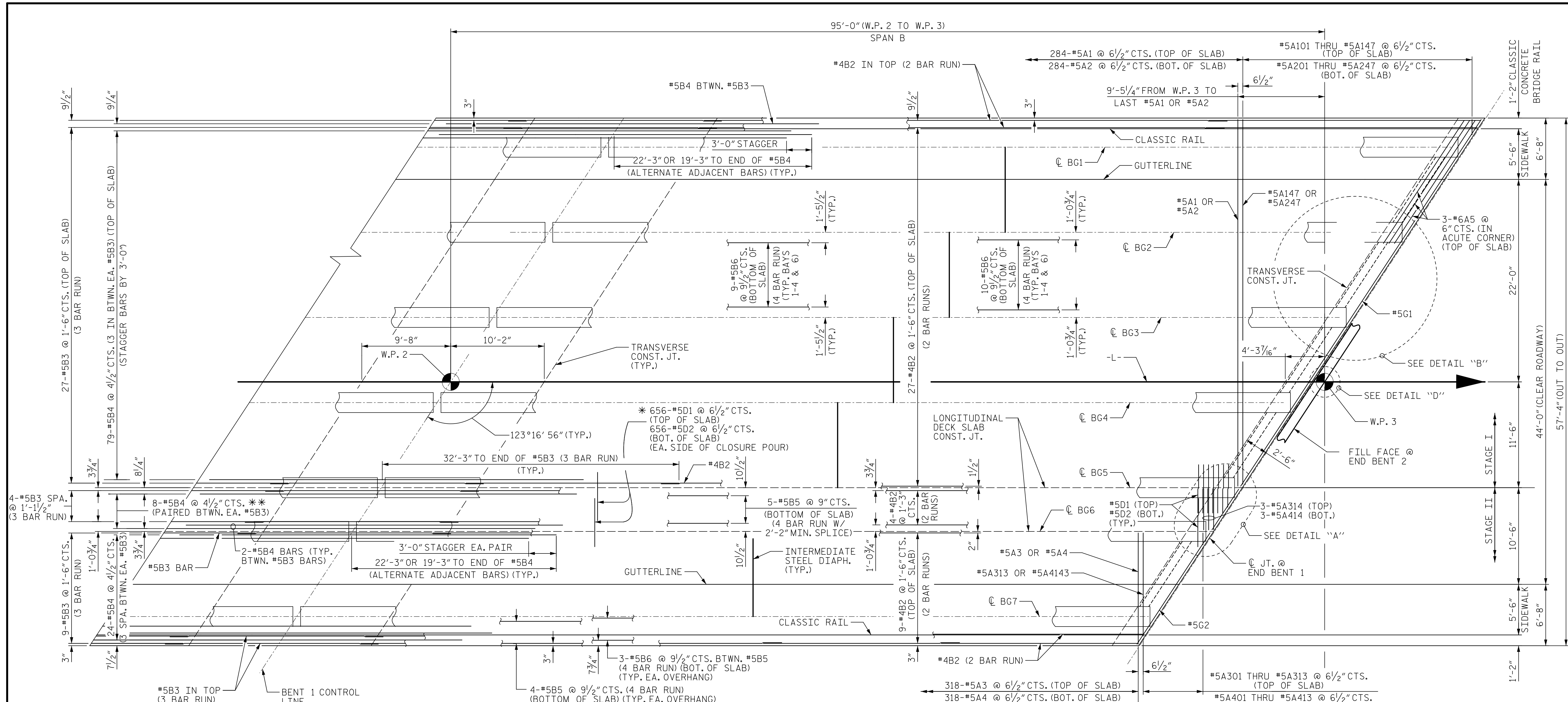
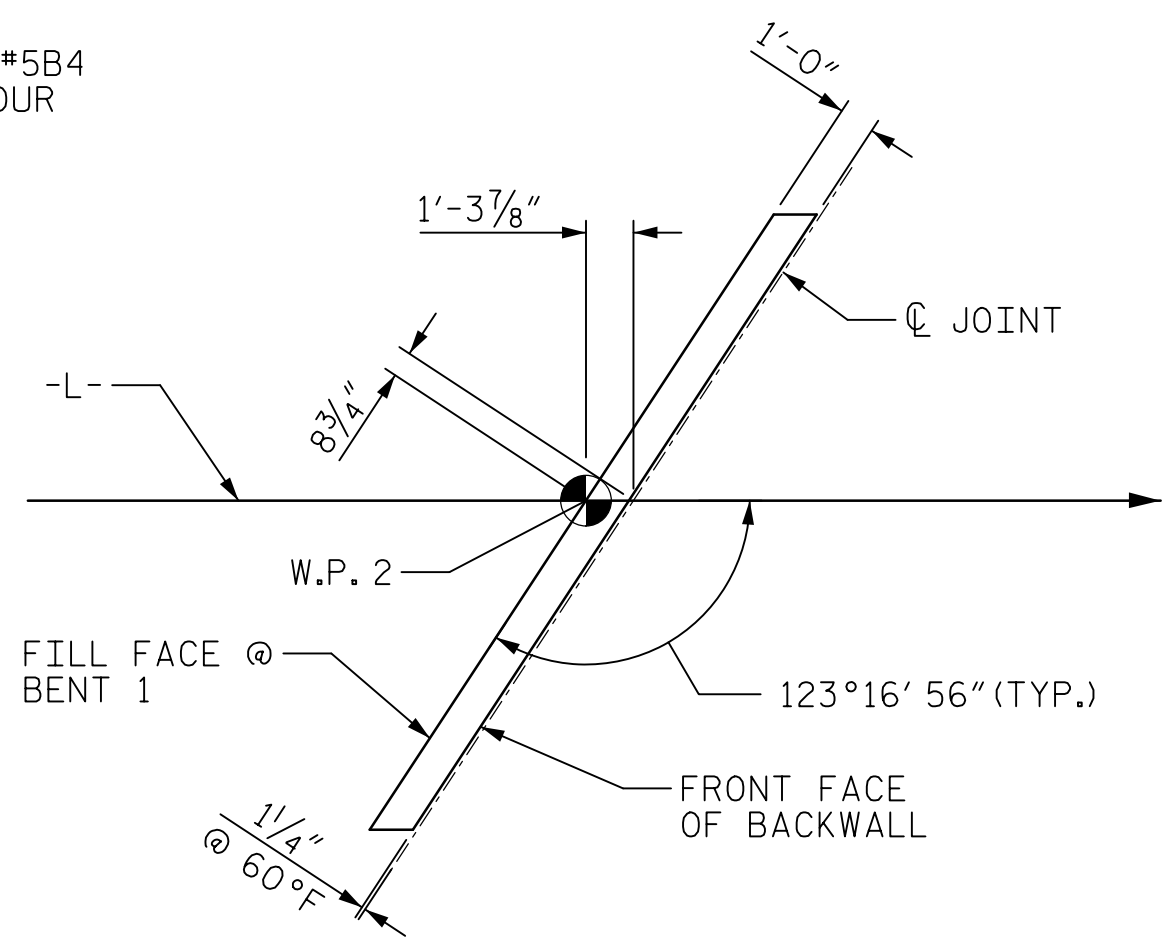


DATE: 1/19/2023 TIME: 9:34:47 AM
USER: jmorris@wvdot.com PROJECT: USRA\3\Legacy\Projects\60436195-B-4654\001\Ker\910\CAD\70_MCDOT_TIP\Structures\04 Drawings\2022 Updates\40010_S10_B4654_S10_P2.dgn

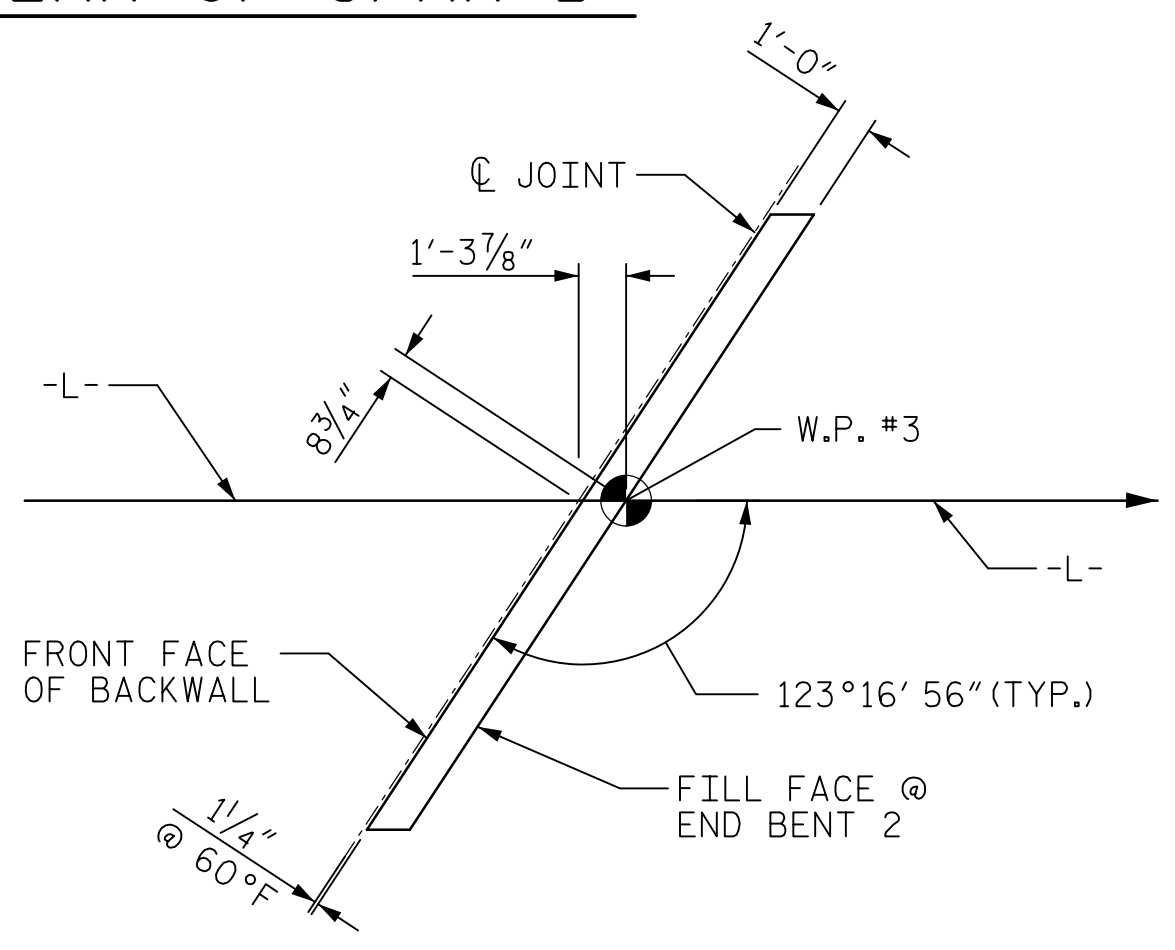


PLAN OF SPAN B

** STAGGER EACH PAIR OF #5B4 BARS 3'-0" @ CLOSURE POUR



DETAIL "C"



DETAIL "D"

* DOWELS SHALL BE PLACED IN THE SAME HORIZONTAL PLANE AS THE TOP AND BOTTOM REINFORCING STEEL ('A' BARS).

DRAWN BY : K. MUENCH	DATE : 05/2022
CHECKED BY : J.C. MORRISON	DATE : 05/2022
DESIGNED BY : D. RITACCO	DATE : 05/2022
DESIGN CHECKED BY : J.C. MORRISON	DATE : 05/2022

DOCUMENT NOT CONSIDERED FINAL UNLESS ALL SIGNATURES COMPLETED



PROJECT NO. B-4654
 WAKE COUNTY
 STATION: 22+71.80 -L-
 SHEET 2 OF 2

STATE OF NORTH CAROLINA DEPARTMENT OF TRANSPORTATION RALEIGH					
GENERAL DRAWING					
PLAN OF SPANS SPAN B					
REVISIONS					
NO.	BY:	DATE:	NO.	BY:	DATE:
1			3		
2			4		
SHEET NO.					S-10
TOTAL SHEETS					49