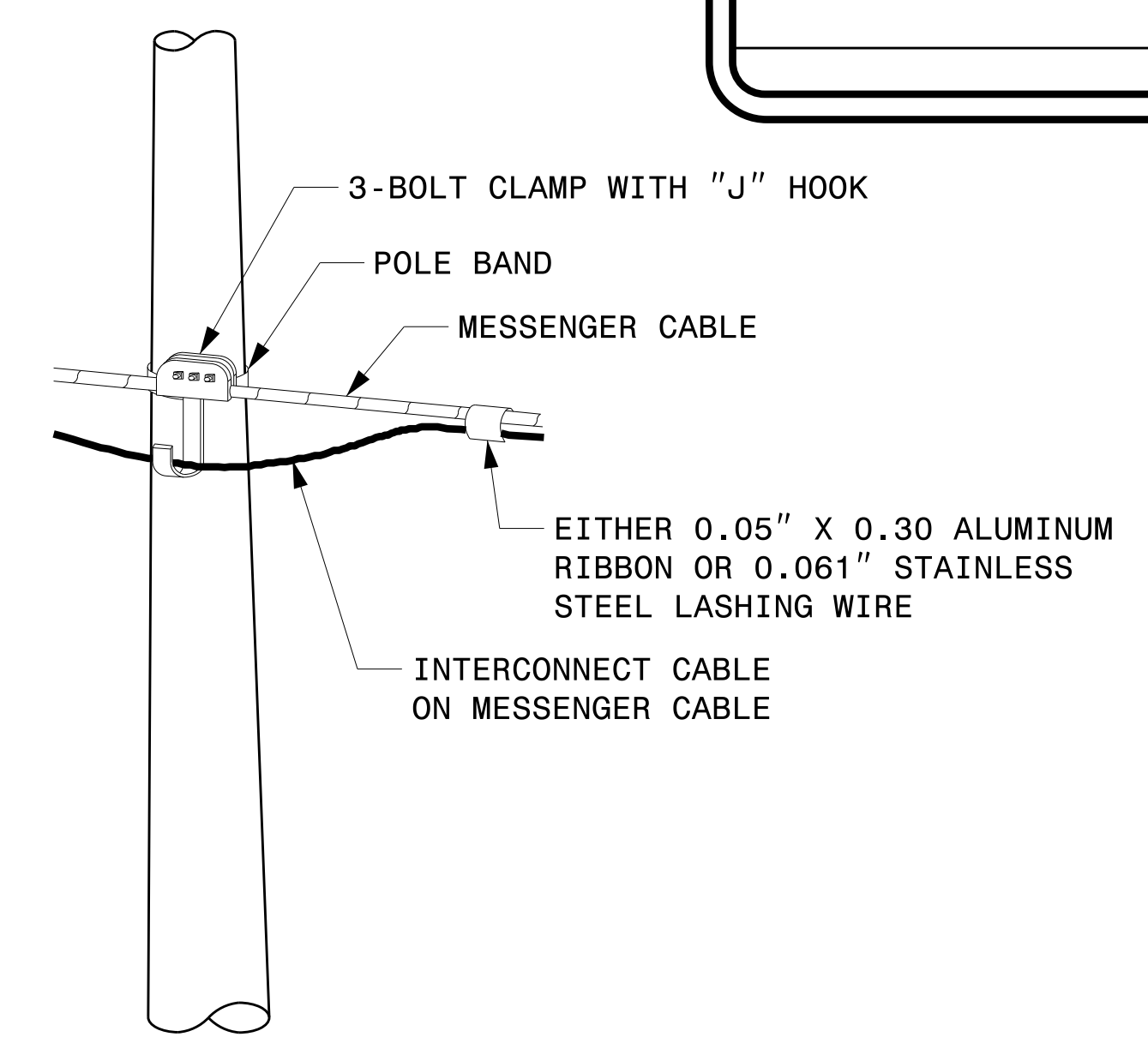
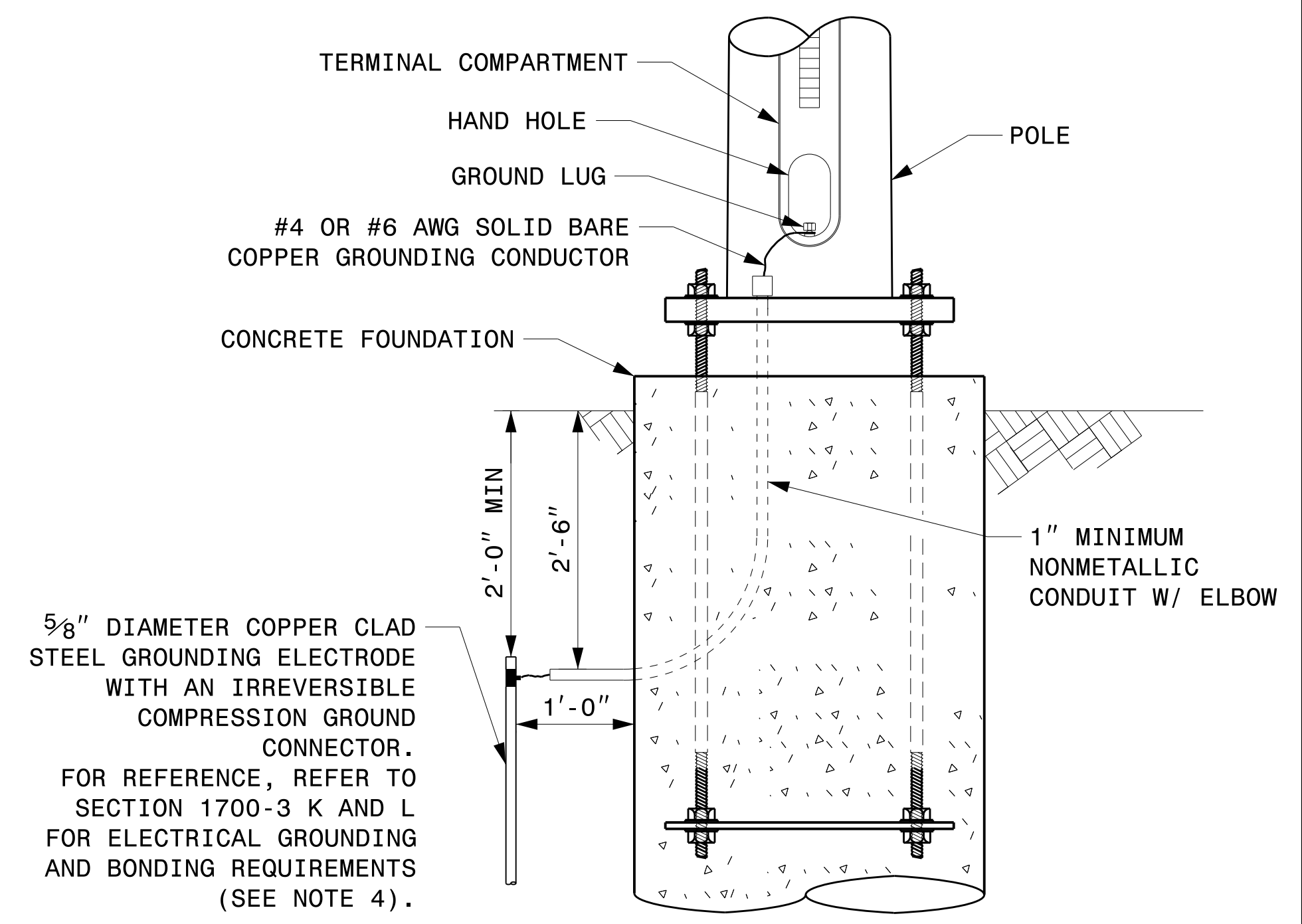


STRAIN POLE ATTACHMENTS

- NOTES:
- STRAP ALL SIGNAL CABLES TO THE SIDE OF THE POLE WITH 3/4" STAINLESS STEEL STRAPS WHEN THE DISTANCE BETWEEN SPAN WIRE ATTACHMENT CLAMP AND WEATHERHEADS EXCEEDS 3'-0".
 - PROVIDE MINIMUM TWO SPAN WIRE POLE CLAMPS PER POLE.
 - IT IS PROHIBITED TO ATTACH TWO SPAN WIRES AT ONE POLE CLAMP.
 - FOR GENERAL REQUIREMENTS, REFER TO NCDOT STANDARD SPECIFICATIONS FOR ROADWAY AND STRUCTURES, JANUARY 2024.



ATTACHMENT OF CABLE TO INTERMEDIATE METAL POLE



METAL POLE GROUNDING DETAIL FOR STRAIN POLE AND MAST ARM

08-dpt-2023-10-41
S:\ISSUES\415 Signal\Signal Design\Structures\Drawings\2024 Metal Pole Str. Fabrication Details-Strain Poles.dgn
Kedar Tigon

<p>750 N. Greenfield Pkwy, Garner, NC 27529</p>	<p>Typical Fabrication Details For Strain Pole Attachments</p>		<p>SEAL</p> <p>DocuSigned by: Kevin Durigon</p>					
	<p>PLAN DATE: SEPTEMBER 2023 DESIGNED BY: C.F. ANDREWS</p> <p>PREPARED BY: K.C. DURIGON REVIEWED BY: D.C. SARKAR</p>	<table border="1"> <thead> <tr> <th>REVISIONS</th> <th>INIT.</th> <th>DATE</th> </tr> </thead> <tbody> <tr> <td> </td> <td> </td> <td> </td> </tr> </tbody> </table>		REVISIONS	INIT.	DATE		
REVISIONS	INIT.	DATE						
<p>SCALE</p> <p>0 NA</p> <p>NONE</p>	<p>4B23DC79B3784DA</p>							

Fabrication Details – Strain Pole Attachments