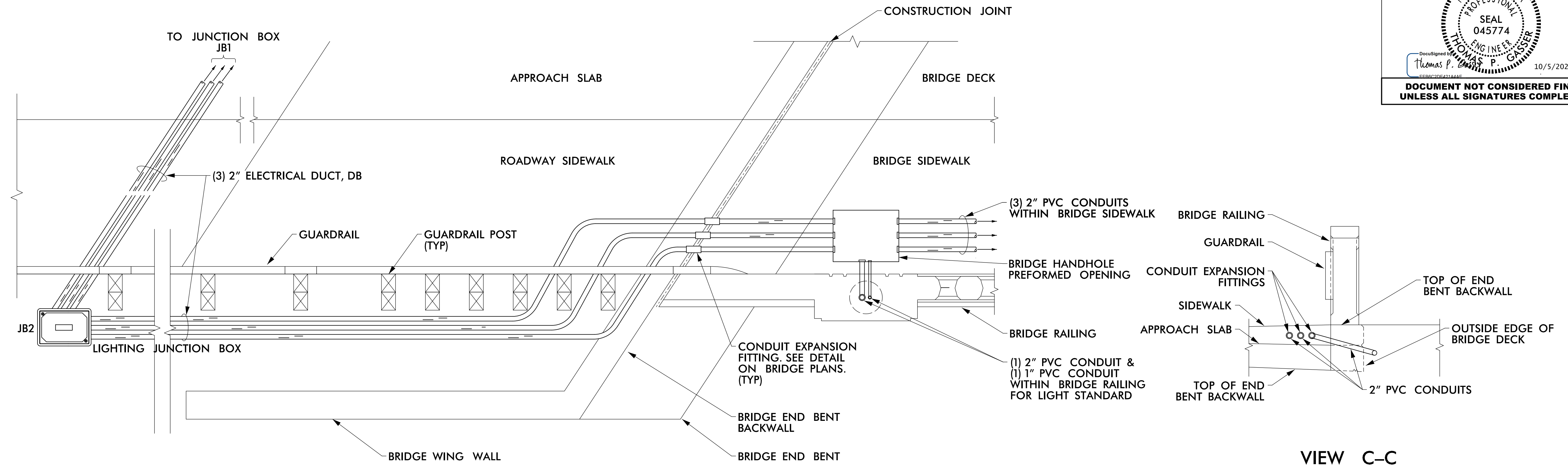


5/14/23

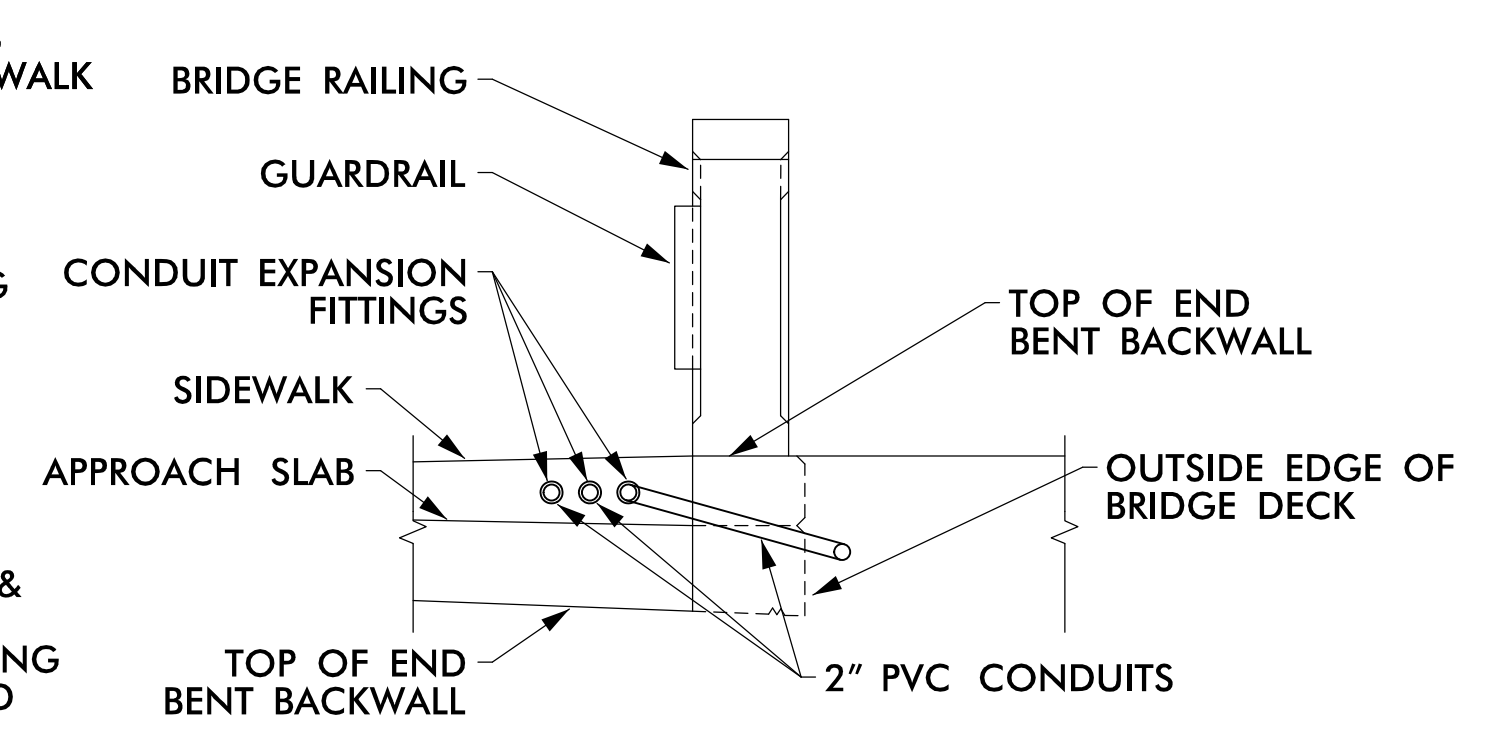
PROJECT REFERENCE NO.	SHEET NO.
B-4654	L2

THOMAS P. GASSER
PROFESSIONAL ENGINEER
SEAL 045774
NORTH CAROLINA
10/5/2023

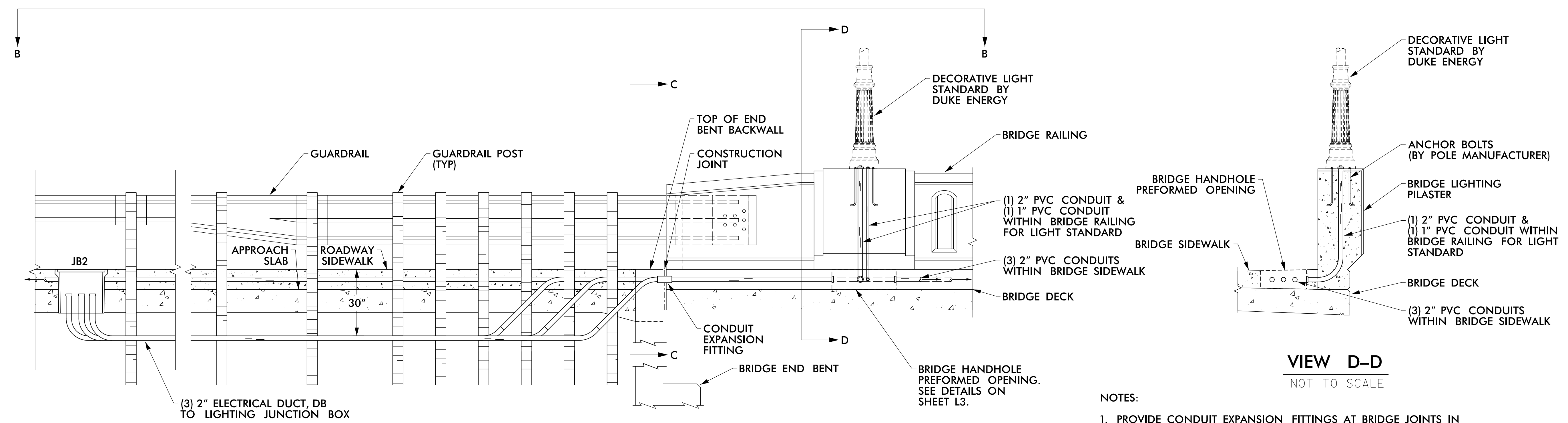
**DOCUMENT NOT CONSIDERED FINAL
UNLESS ALL SIGNATURES COMPLETED**



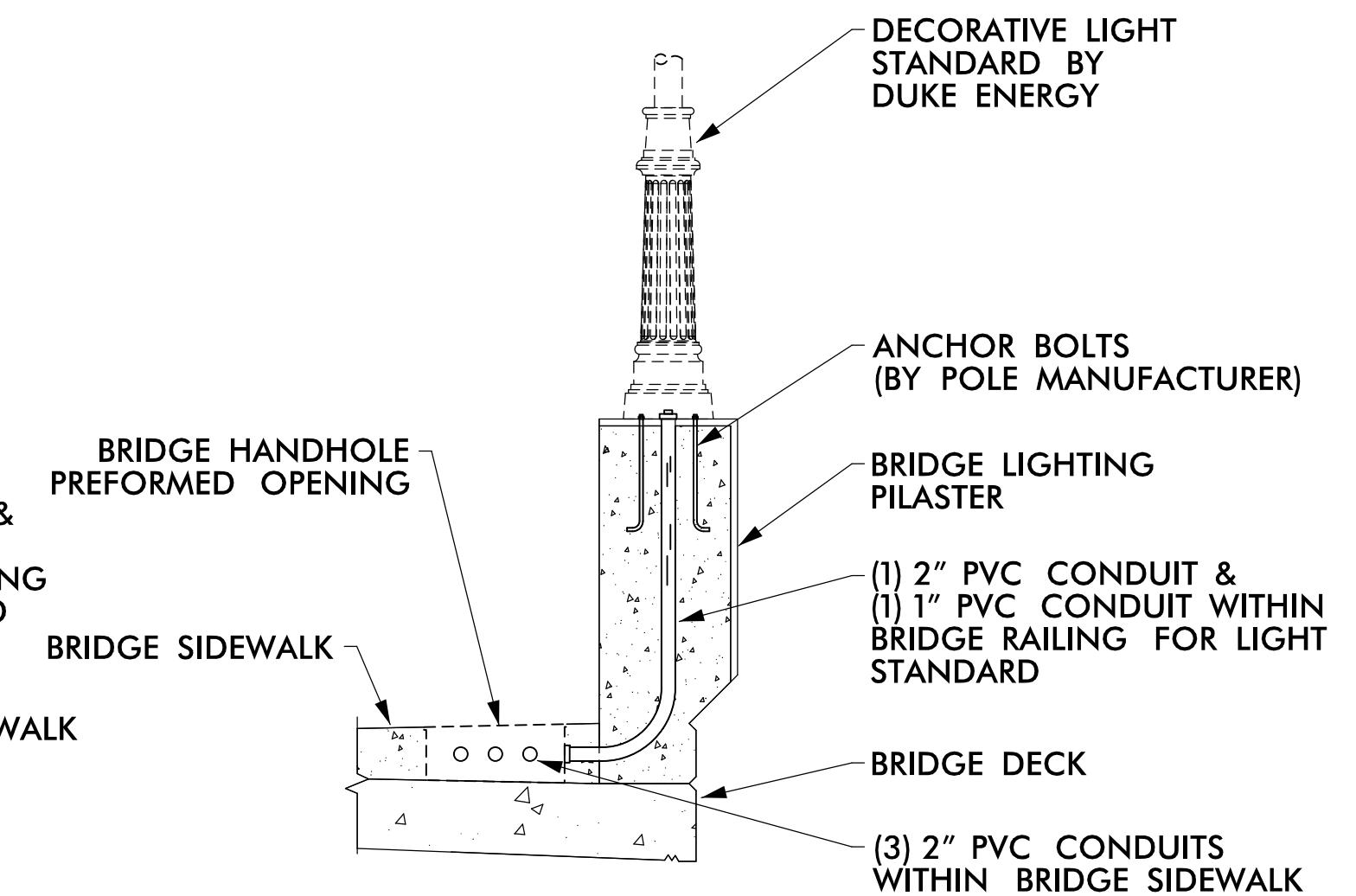
VIEW B-B
NOT TO SCALE



VIEW C-C
NOT TO SCALE



VIEW A-A
NOT TO SCALE



VIEW D-D
NOT TO SCALE

NOTES:

1. PROVIDE CONDUIT EXPANSION FITTINGS AT BRIDGE JOINTS IN SIDEWALK AS REQUIRED.
2. COORDINATE INSTALLATION OF LIGHTING CONDUITS, EXPANSION FITTINGS, CABLING, AND LIGHT STANDARD ANCHOR BOLTS WITH BRIDGE PLANS.
3. CONDUIT, EXPANSION FITTINGS, AND PERFORMED JUNCTION BOXES INSTALLED WITHIN THE BRIDGE SIDEWALK AND BARRIER RAILING INCLUDED WITH COST OF BRIDGE CONSTRUCTION AND WILL NOT BE PAID FOR SEPARATELY.

Projects\60035\B-4654-4654-1\Lighting\B4654-1.tg_psh02.dgn