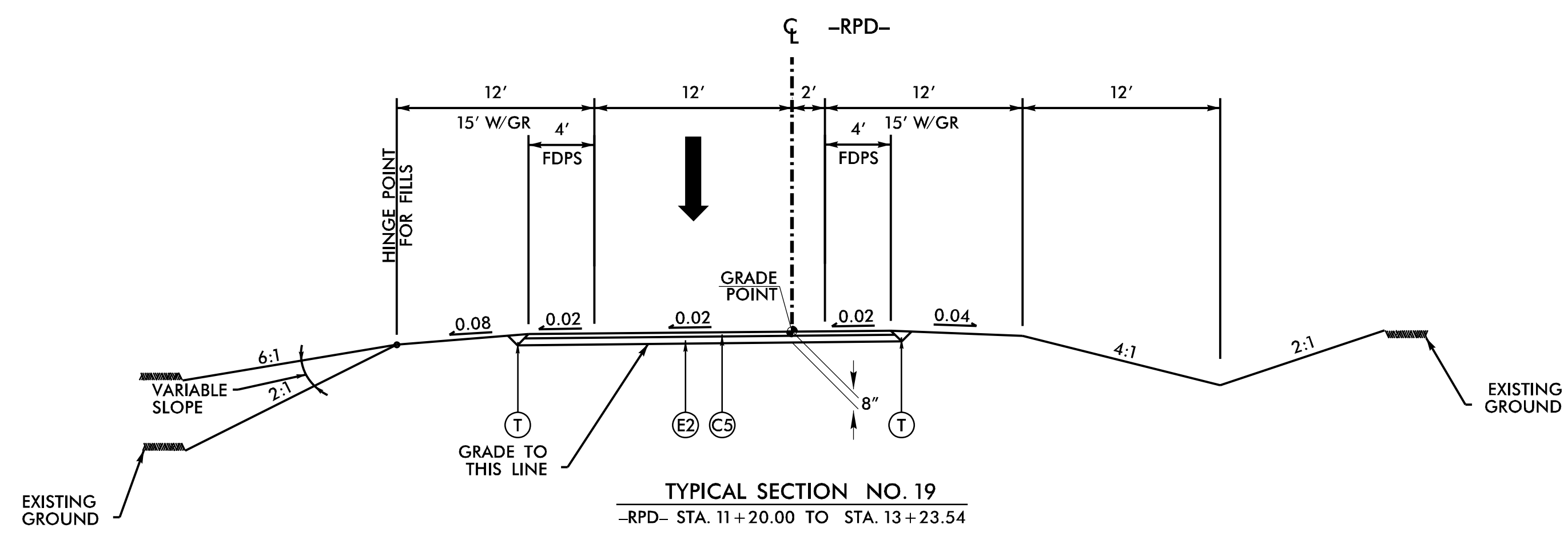
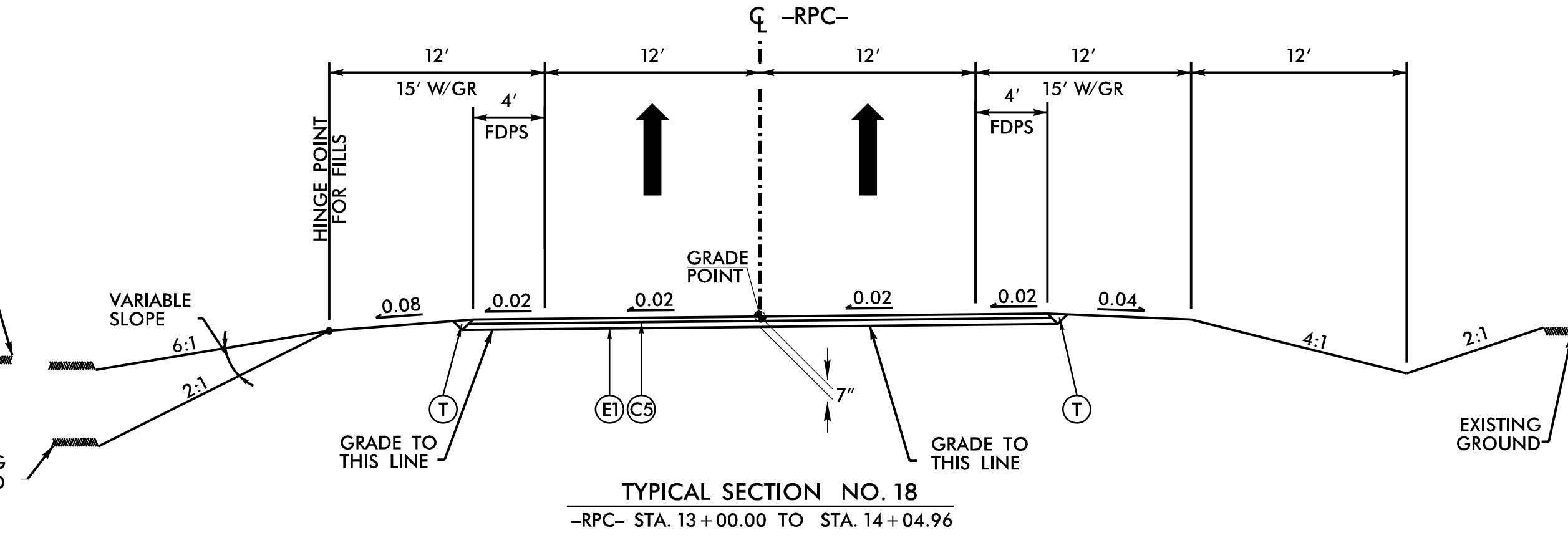
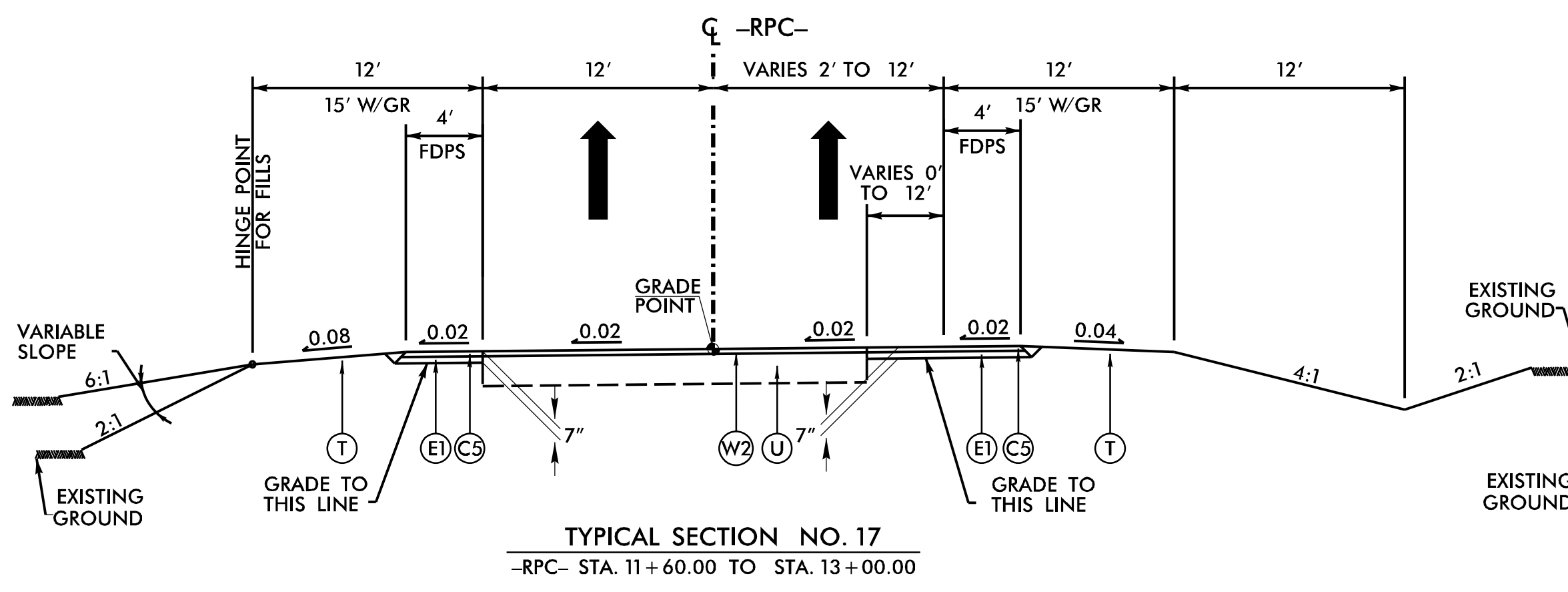
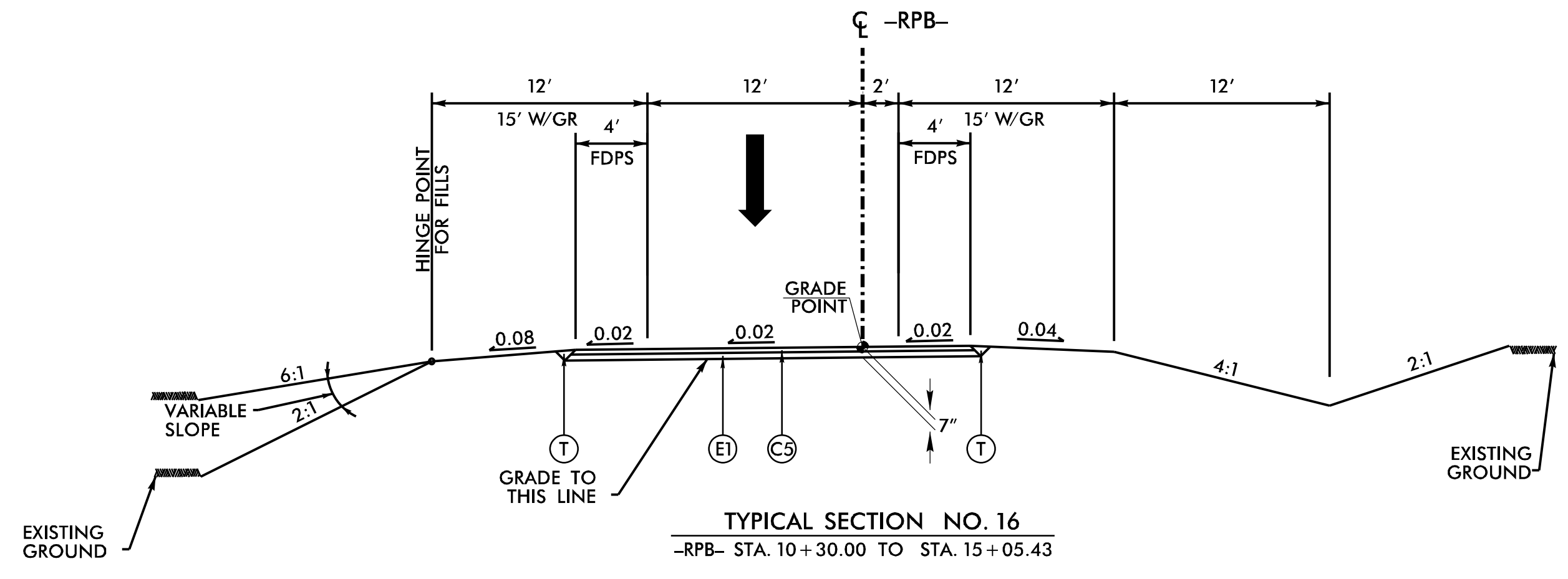
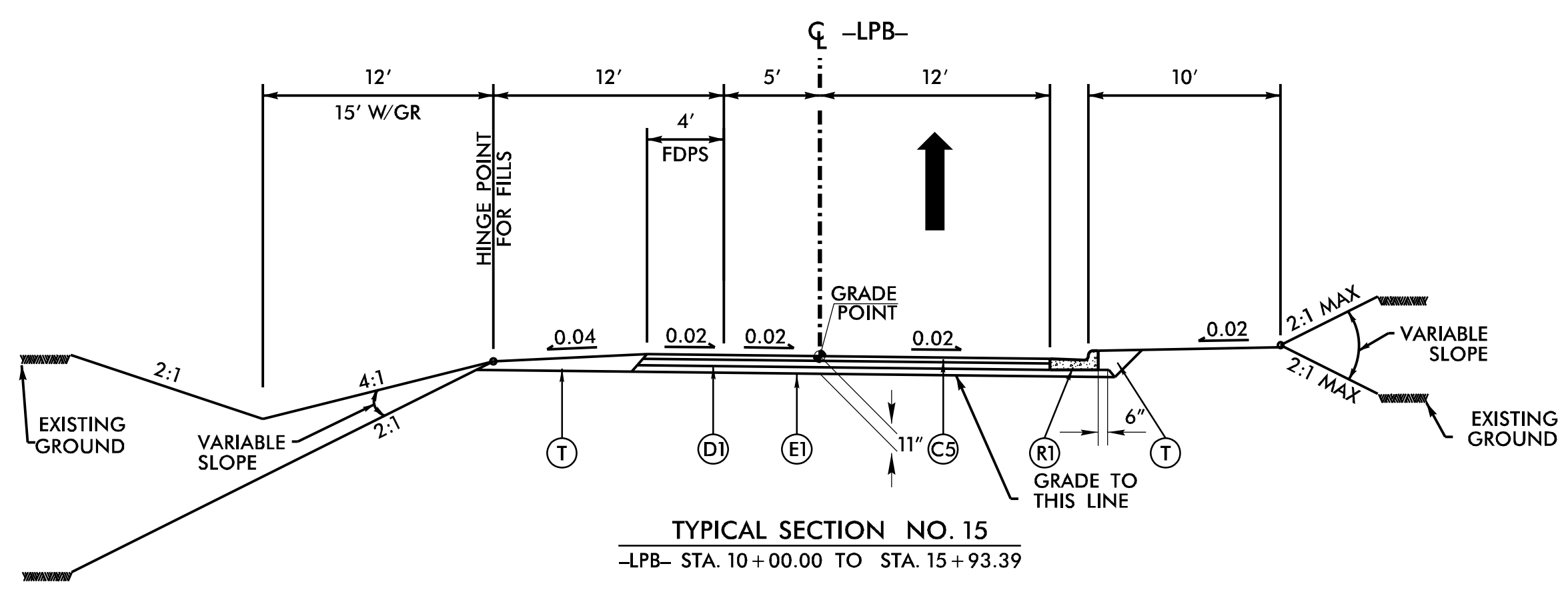


3/11/2024
 L:\Legacy\Projects\60436195-B-4654\9000_Work\910_CAD\70_NCDOT_TIP\Roadway\Pr_oj\B4654_rdy_ttp.dgn
 6/12/99

PROJECT REFERENCE NO. B-4654	SHEET NO. 2A-4
ROADWAY DESIGN ENGINEER 3/11/2024 NORTH CAROLINA PROFESSIONAL SEAL 049634 MOHAMMED EALIMIA	PAVEMENT DESIGN ENGINEER 3/11/2024 NORTH CAROLINA PROFESSIONAL SEAL 038176 SHIHAI ZHANG
Prepared in the Office of: AECOM	
NC FIRM LICENSE No: F-0342 5483 Wood Park Blvd, Suite 200 Raleigh, NC 27607 919.452.0000	
DOCUMENT NOT CONSIDERED FINAL UNLESS ALL SIGNATURES COMPLETED	



A1	6" CONC. TRUCK APRON W/WIRE
C1	1.5" S9.5B
C2	3.0" S9.5B
C3	VAR. S9.5B
C4	1.5" S9.5C
C5	3.0" S9.5C
C6	VAR. S9.5C
D1	4.0" I19.0C
D2	VAR. I19.0C
E1	4.0" B25.0C
E2	5.0" B25.0C
E3	VAR. B25.0C
J1	4" ABC
R1	2'-6" C&G
R2	1'-6" C&G
R3	CONC. BARRIER
S	4" CONC. SDWLK.
T	EARTH MATERIAL
U	EXIST. PVMNT.
W1	WEDGE DET. NO. 1
W2	WEDGE DET. NO. 2

NOTE: PAVEMENT EDGE SLOPES ARE 1:1 UNLESS SHOWN OTHERWISE