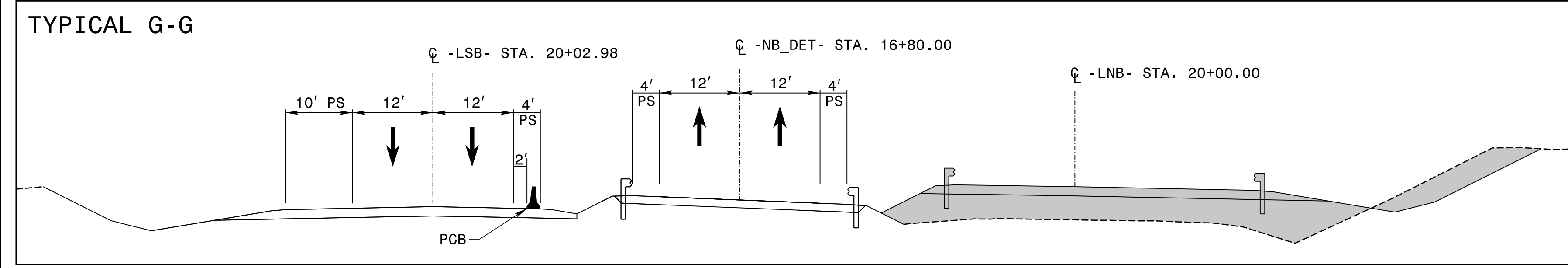
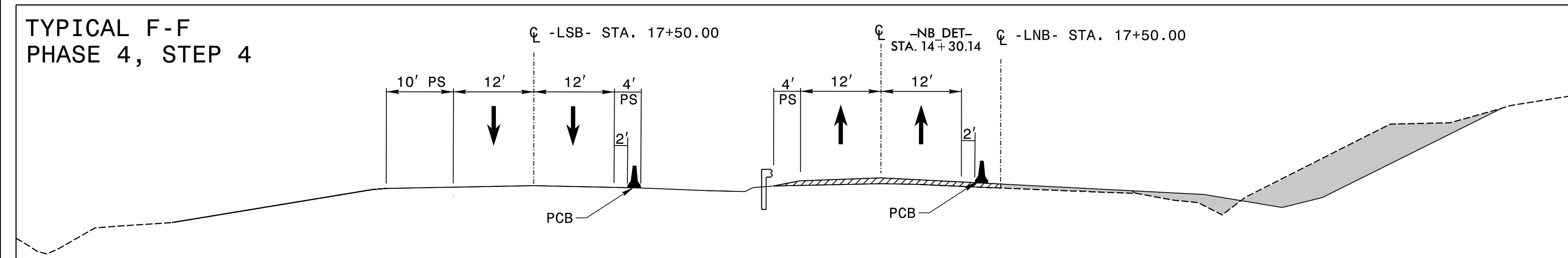
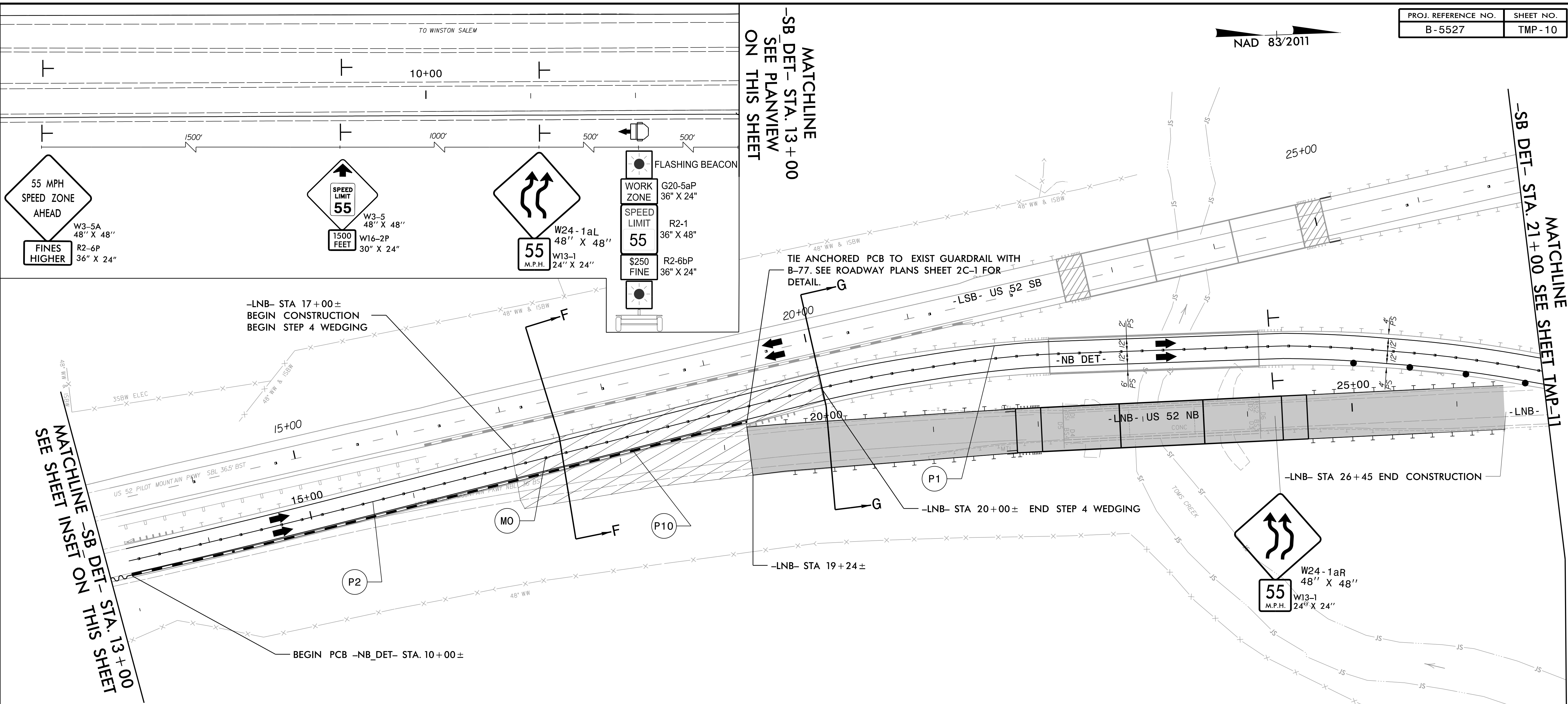


NAD 83/2011



2/6/2024 X:\Raleigh\14-783.005D - B-5527 CE Update\05-CAD\B5527\TrafficControl\CP\Sheets\B5527\_TC\_TMP\_10.dgn

MATCHLINE  
-SB DET- STA. 13+00  
SEE PLANVIEW  
ON THIS SHEET

MATCHLINE  
-SB DET- STA. 21+00  
SEE SHEET TMP-11

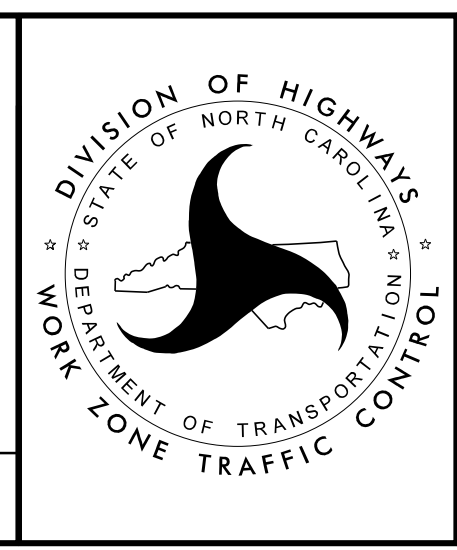
MATCHLINE -SB DET- STA. 13+00  
SEE SHEET INSET ON THIS SHEET

**AMT** A. MORTON THOMAS AND ASSOCIATES, INC.  
900 RIDGEFIELD DRIVE, SUITE 325 • RALEIGH, NC 27609  
(919) 855-9989 • NC LICENSE NO. F-1049  
WWW.AMTEngineering.COM

APPROVED: \_\_\_\_\_  
DATE: 2/12/2024

DocuSigned by:  
Jason T. Gaddy  
BAESD64400B4466

**DOCUMENT NOT CONSIDERED FINAL  
UNLESS ALL SIGNATURES COMPLETED**



**TEMPORARY  
TRAFFIC CONTROL  
PHASE IV DETAIL**