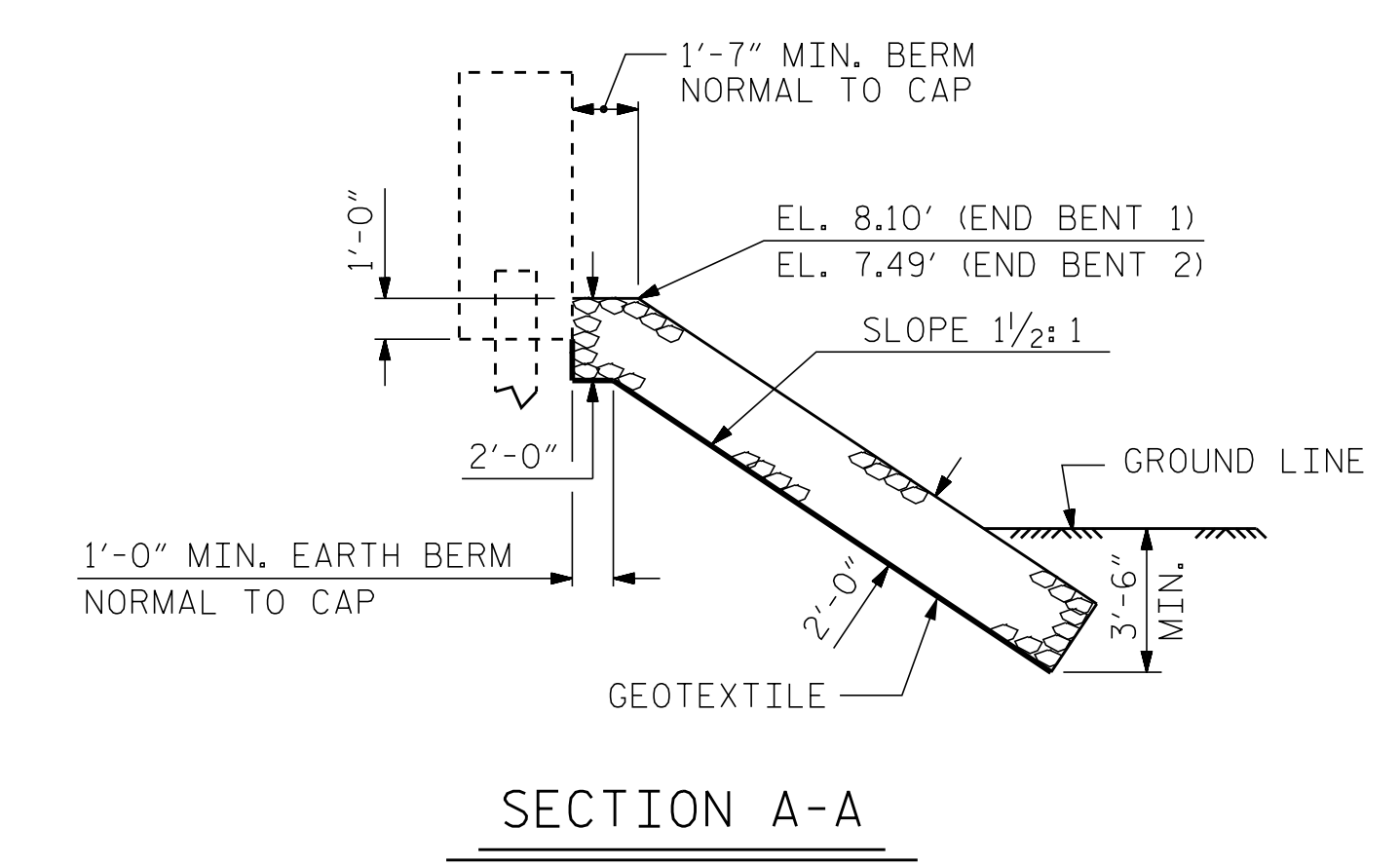
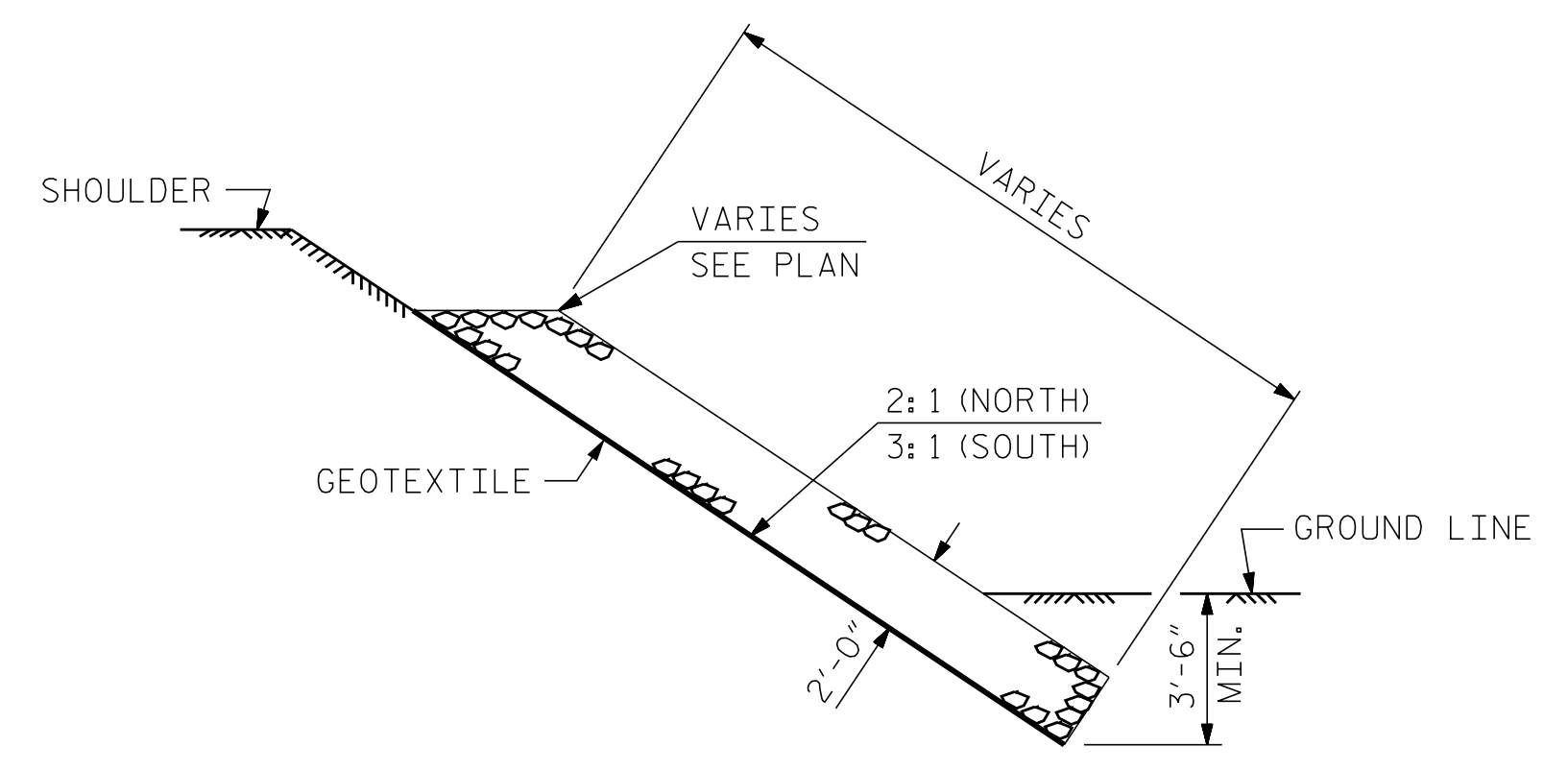


PLAN

NOTES
FOR BERM WIDTH DIMENSIONS, SEE GENERAL DRAWING.



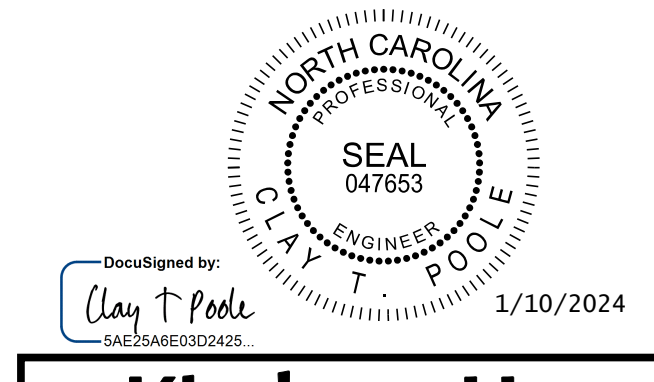
SECTION A-A



SECTION C-C

ESTIMATED QUANTITIES		
BRIDGE @ STA. 22+90.50 -L-	RIP RAP CLASS II (2'-0" THICK)	GEOTEXTILE FOR DRAINAGE
	TONS	SQUARE YARDS
END BENT 1	469	521
END BENT 2	309	343

PROJECT NO. B-5156
PENDER COUNTY
STATION: 22+90.50 -L-



Kimley»Horn
421 Fayetteville Street, Suite 600
Raleigh, NC 27601-1772
Phone (919) 677-2000
NC LICENSE # F-0102

STATE OF NORTH CAROLINA DEPARTMENT OF TRANSPORTATION RALEIGH					
STANDARD RIP RAP DETAILS					
REVISIONS					SHEET NO.
NO.	BY:	DATE:	NO.	BY:	DATE:
1			3		
2			4		
					TOTAL SHEETS
					45

**DOCUMENT NOT CONSIDERED FINAL
UNLESS ALL SIGNATURES COMPLETED**

This document, together with the concepts and designs presented herein, is an integral part of the contract. It is intended only for the specific project and site and without written authorization and adoption by Kimley-Horn and Associates, Inc. shall be without liability to Kimley-Horn and Associates, Inc.
Copyright Kimley-Horn and Associates, Inc., 2024

1/10/2024 K:\RDI_Structures\Bridges\NC\011036491 - B-5156\Coord\011036491_SML_PRI_700028.dgn

ASSEMBLED BY : D. D. LOWERY	DATE : 03/2023
CHECKED BY : C. T. POOLE	DATE : 03/2023
DRAWN BY : REK 1/84	REV. 10/1/11 MAA/GM
CHECKED BY : RDU 1/84	REV. 12/21/11 MAA/GM
	REV. 12/17 MAA/THC