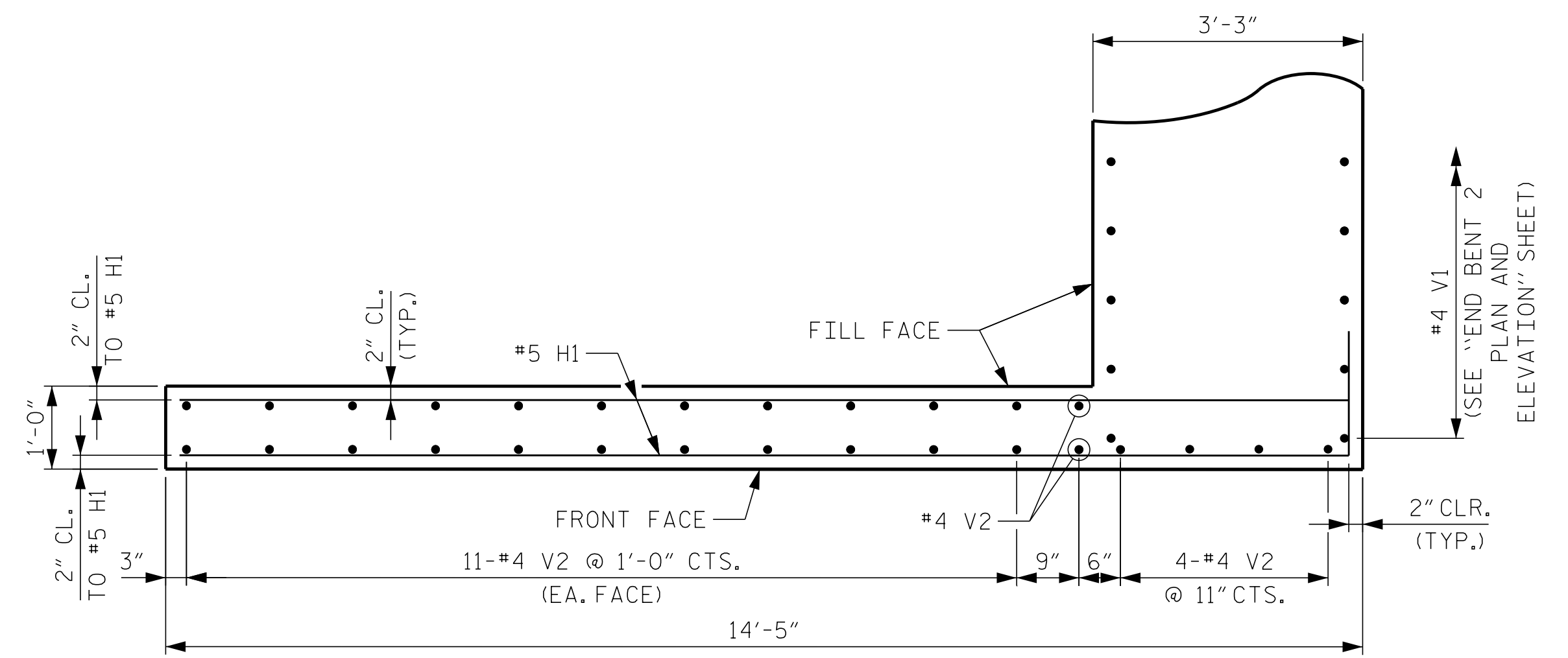
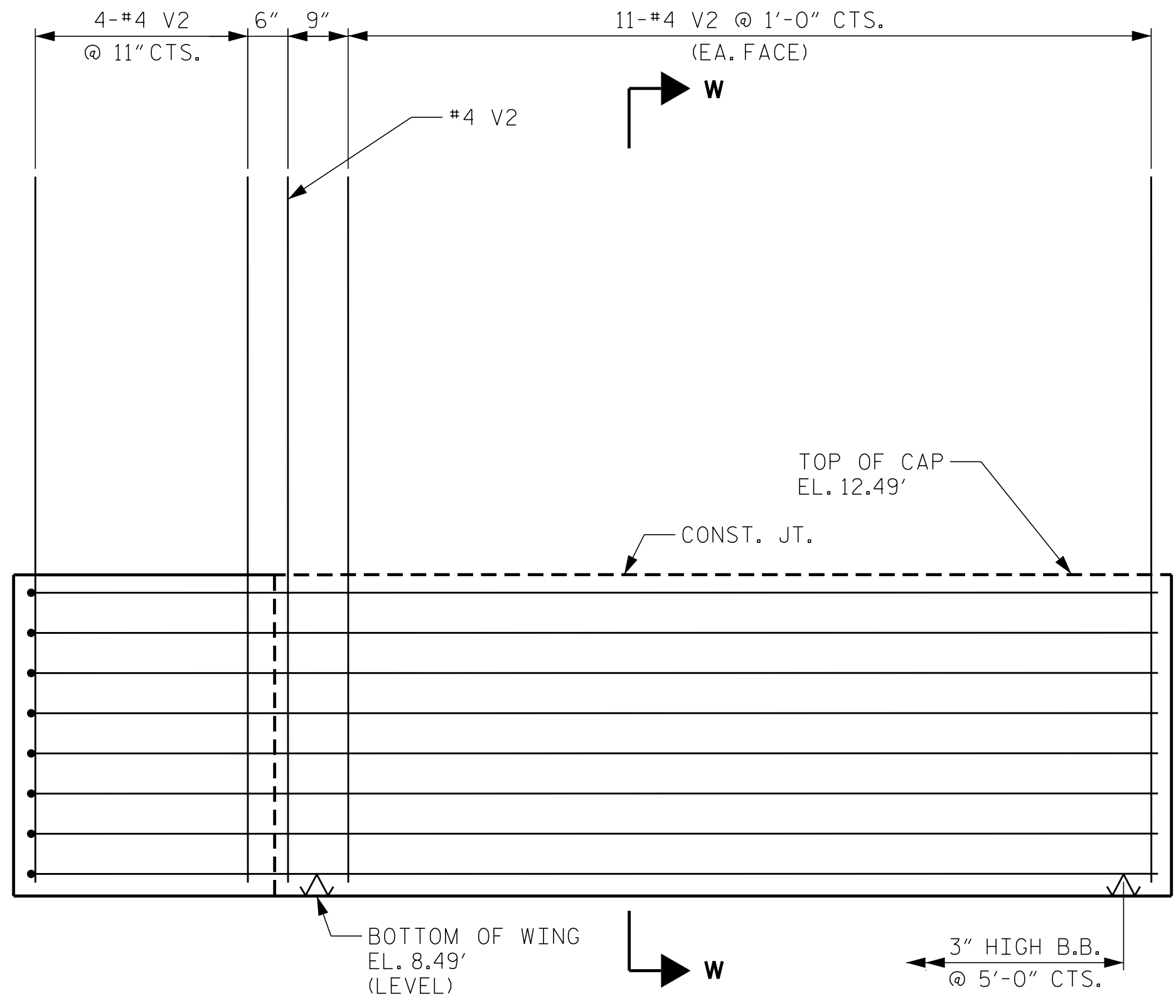


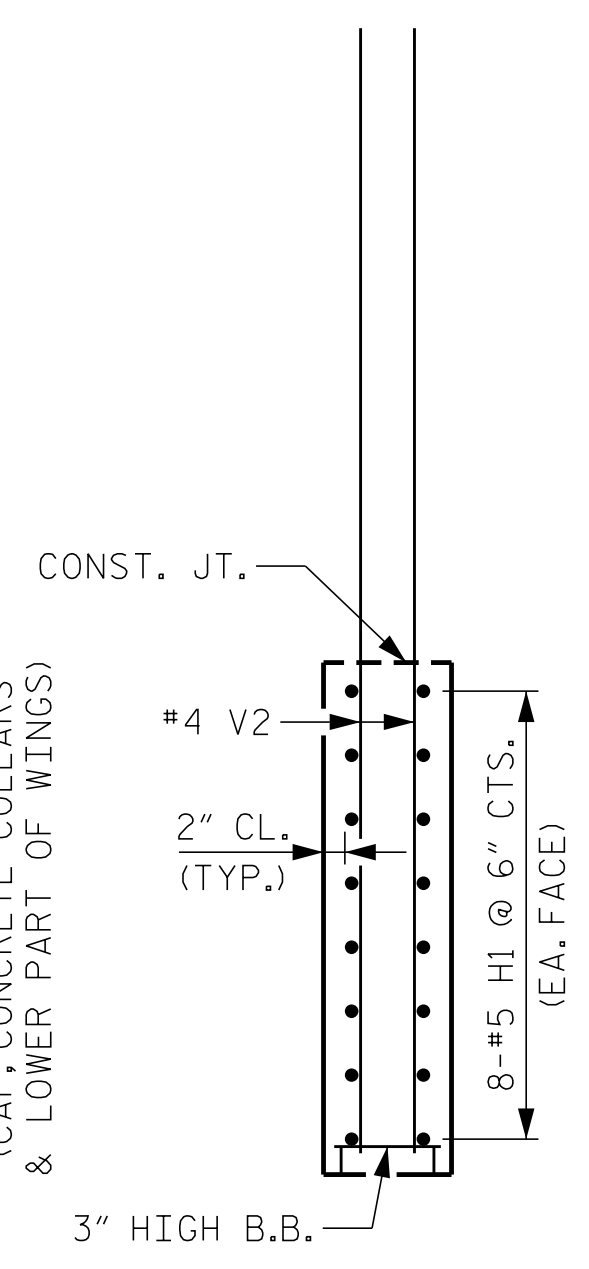
PLAN OF WING W1



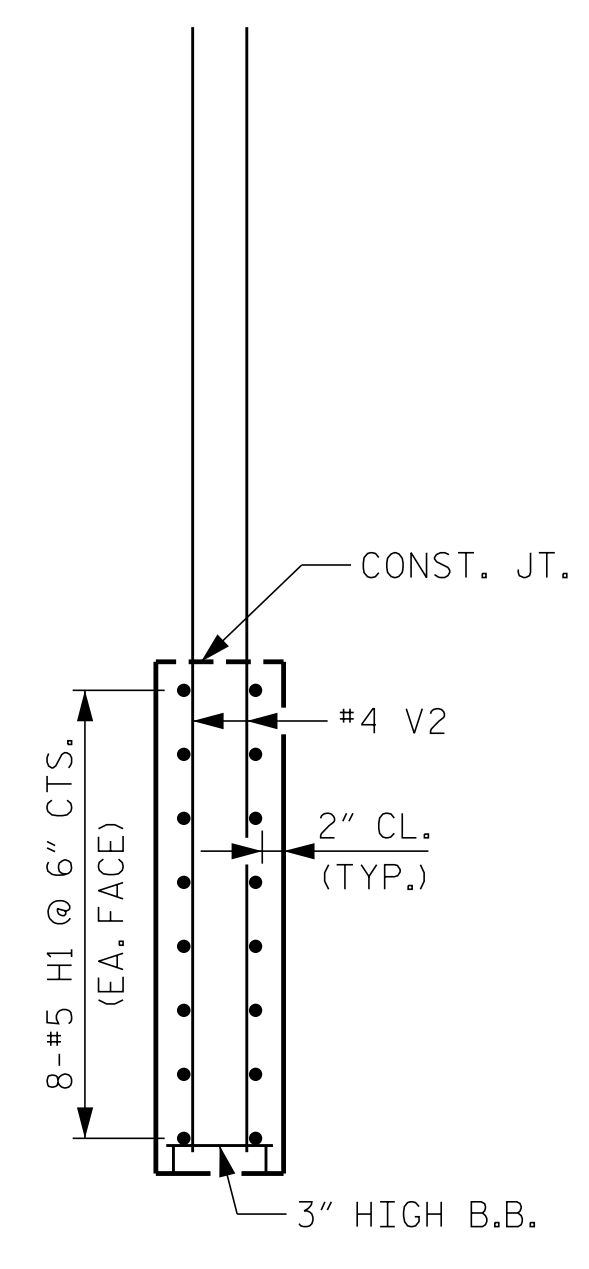
PLAN OF WING W2



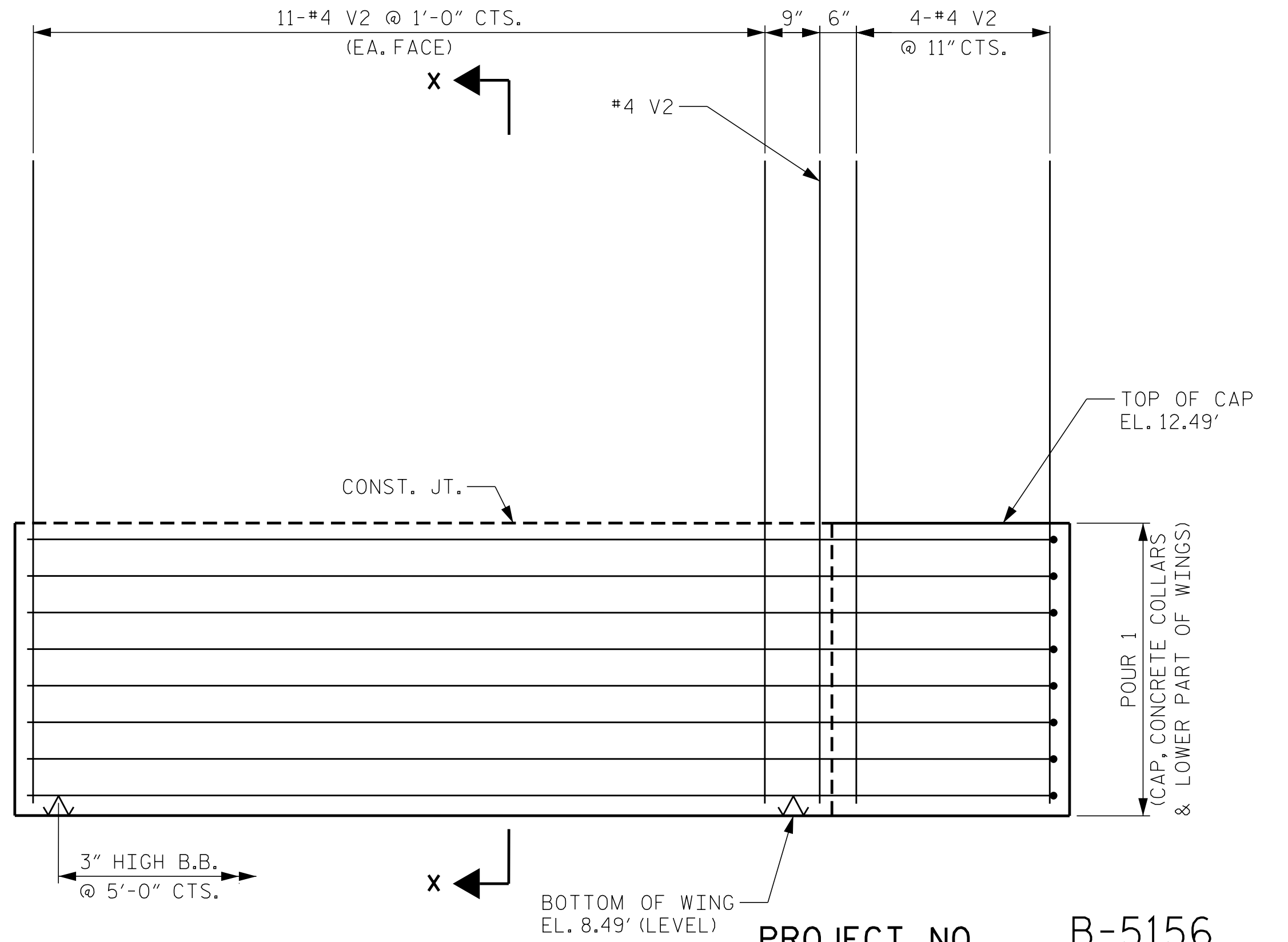
ELEVATION OF WING W1



SECTION W-W



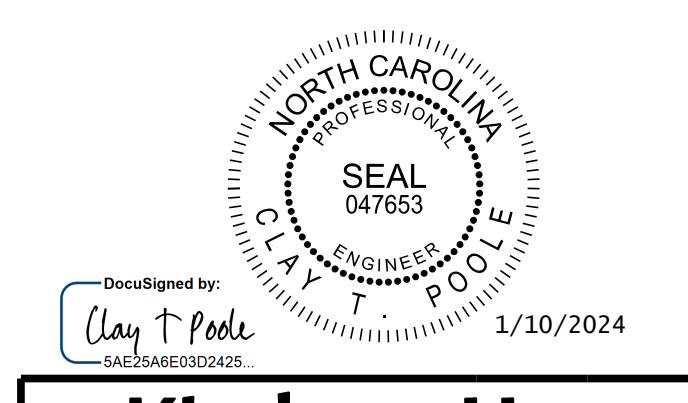
SECTION X-X



ELEVATION OF WING W2

PROJECT NO. B-5156
PENDER COUNTY
 STATION: 22+90.50 -L-

SHEET 2 OF 3



Kimley»Horn
 421 Fayetteville Street, Suite 600
 Raleigh, NC 27601-1772
 Phone (919) 677-2000
 NC LICENSE # F-0102

STATE OF NORTH CAROLINA
 DEPARTMENT OF TRANSPORTATION
 RALEIGH
 SUBSTRUCTURE
 END BENT 2
 SECTION AND DETAILS

REVISIONS						SHEET NO.
NO.	BY:	DATE:	NO.	BY:	DATE:	S-40
1			3			TOTAL SHEETS
2			4			45

**DOCUMENT NOT CONSIDERED FINAL
 UNLESS ALL SIGNATURES COMPLETED**

1/10/2024 K:\BIDI_Structures\Bridges\NC\011036491 - B-5156\Coor\09\B5156_SML.E5_7002028.dgn

DRAWN BY: D. D. LOWERY DATE: 03/2023
 CHECKED BY: A. L. PHILLIPS DATE: 03/2023
 DESIGN ENGINEER OF RECORD: C. T. POOLE DATE: 03/2023