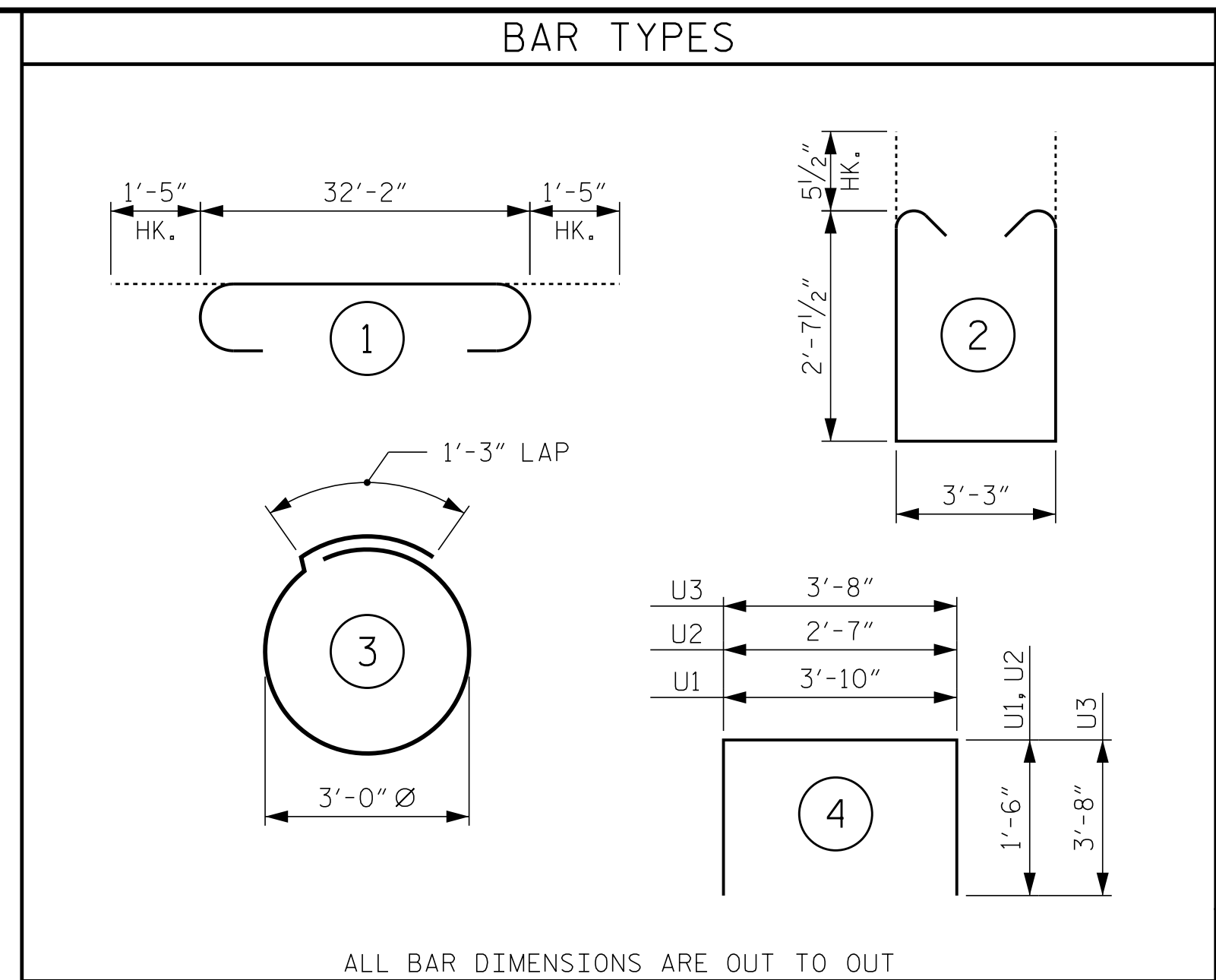


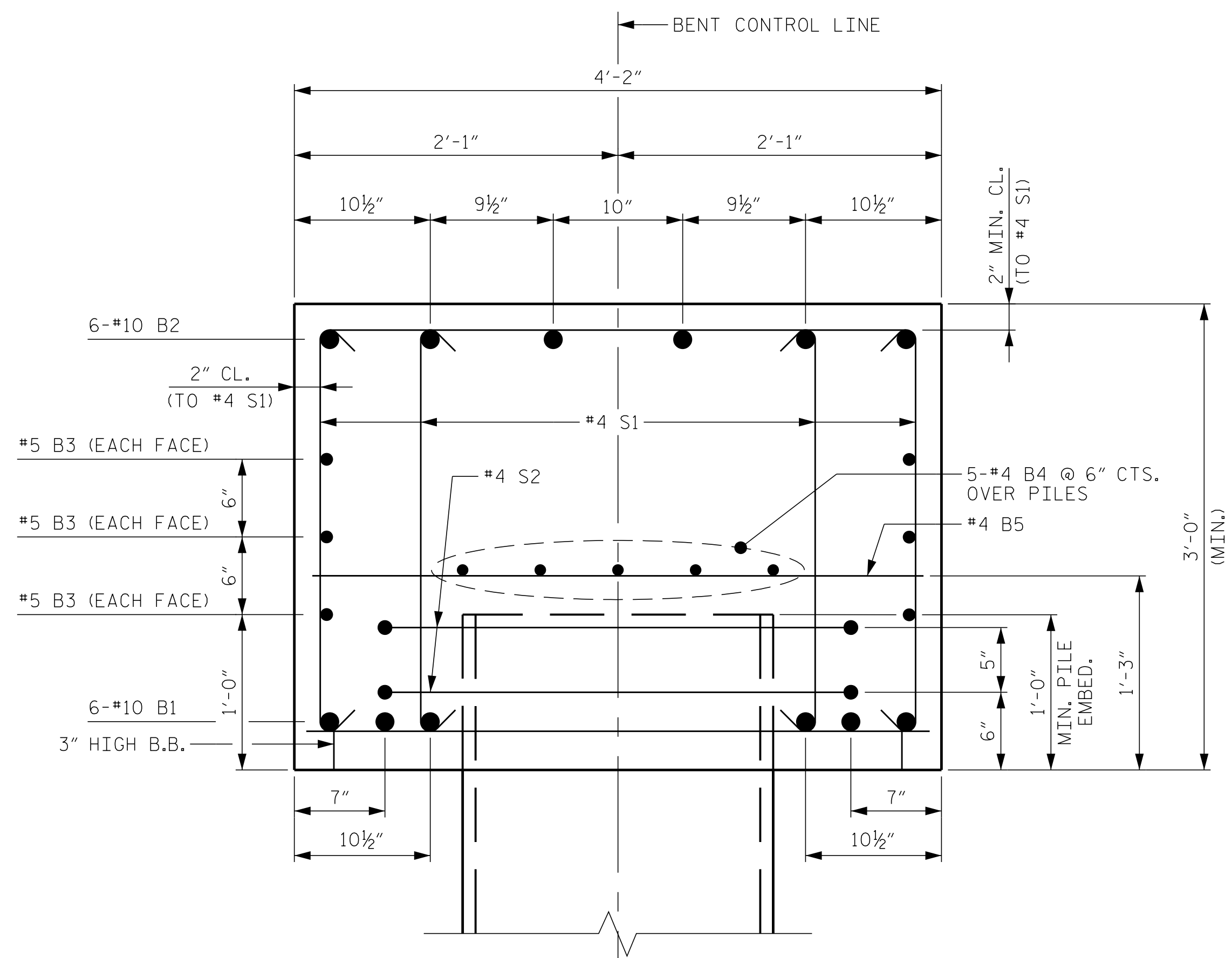
VIEW X-X
(TYPICAL BOTH ENDS)



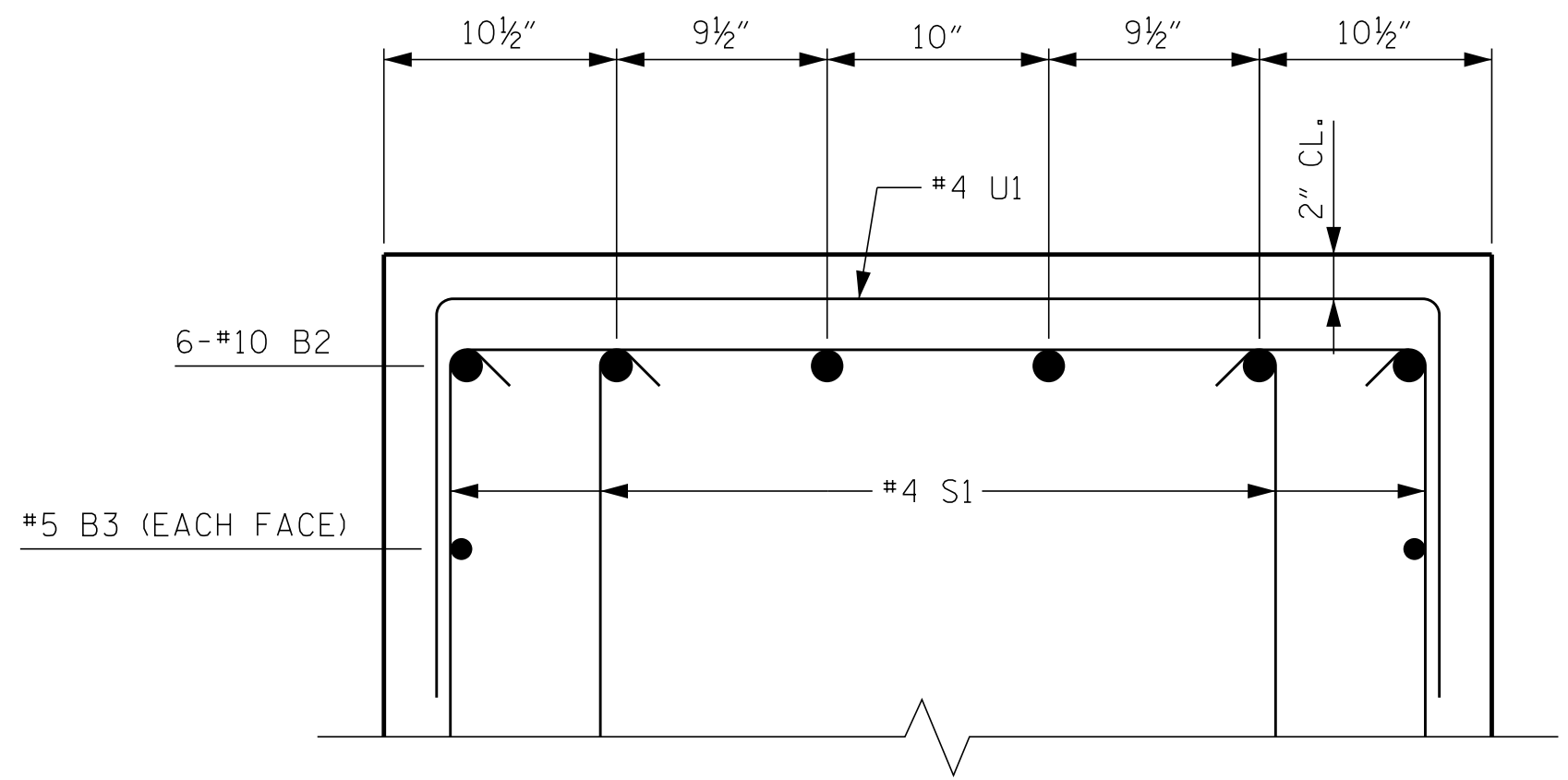
ALL BAR DIMENSIONS ARE OUT TO OUT

BILL OF MATERIAL					
BENT 1					
BAR	NO.	SIZE	TYPE	LENGTH	WEIGHT
B1	6	10	STR	32'-2"	830
B2	6	10	1	35'-0"	904
B3	6	5	STR	32'-2"	201
B4	5	4	STR	32'-2"	107
B5	9	4	STR	3'-10"	23
S1	104	4	2	9'-5"	654
S2	10	4	3	10'-9"	72
U1	32	4	4	6'-10"	146
U2	8	4	4	5'-7"	30
U3	2	9	4	11'-0"	75
REINFORCING STEEL					3,042 LBS.
CLASS A CONCRETE BREAKDOWN					
POUR 1 (CAP)					14.9 C.Y.

NOTE: THE VOLUME OF THE CONCRETE DISPLACED BY THE PIPE PILES HAS BEEN DEDUCTED FROM THE TOTAL VOLUME.



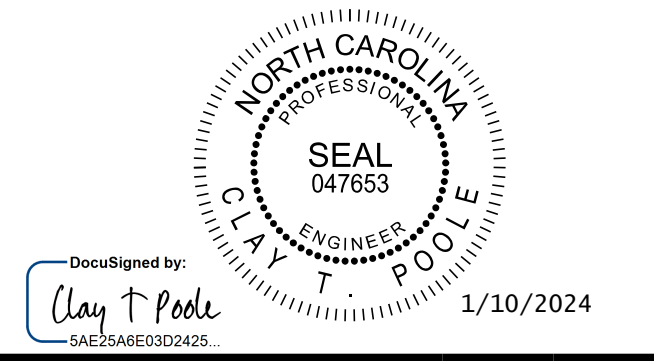
SECTION A-A



PARTIAL SECTION B-B
(FOR LOCATION OF SECTION, SEE SHEET 1 OF 2)

PROJECT NO. B-5156
PENDER COUNTY
 STATION: 22+90.50 -L-

SHEET 2 OF 2



Kimley»Horn
 421 Fayetteville Street, Suite 600
 Raleigh, NC 27601-1772
 Phone (919) 677-2000
 NC LICENSE # F-0102

STATE OF NORTH CAROLINA
 DEPARTMENT OF TRANSPORTATION
 RALEIGH
 SUBSTRUCTURE
BENT 1
 SECTION AND DETAILS

REVISIONS						SHEET NO.
NO.	BY:	DATE:	NO.	BY:	DATE:	S-33
1			3			TOTAL SHEETS
2			4			45

**DOCUMENT NOT CONSIDERED FINAL
 UNLESS ALL SIGNATURES COMPLETED**

1/10/2024 K:\BID1-Structures\Bridges\NC\101036491 - B-5156\Coord\09\B5156_SML_B2_100208.dgn

DRAWN BY: D. D. LOWERY DATE: 03/2023
 CHECKED BY: A. L. PHILLIPS DATE: 03/2023
 DESIGN ENGINEER OF RECORD: C. T. POOLE DATE: 03/2023