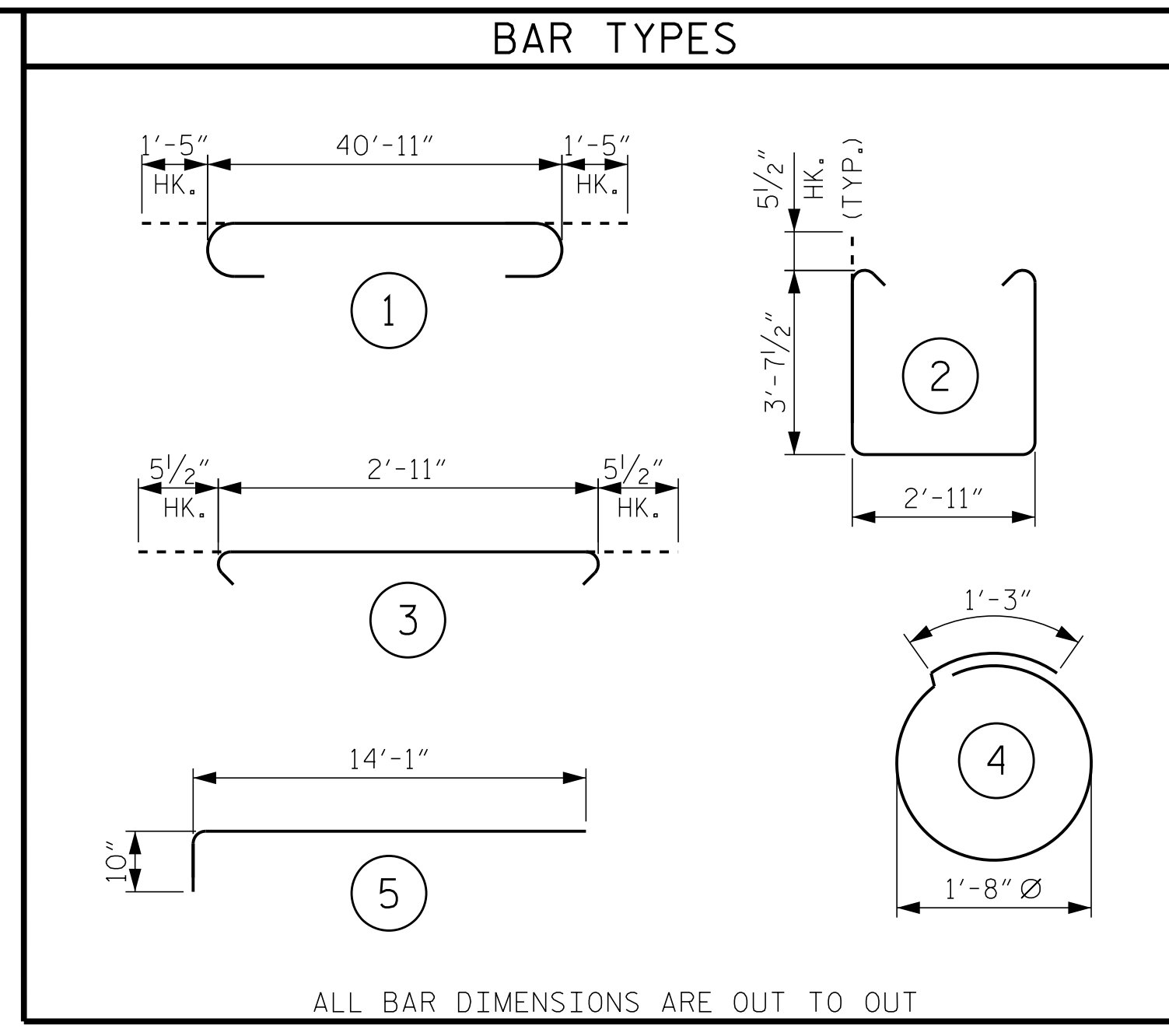
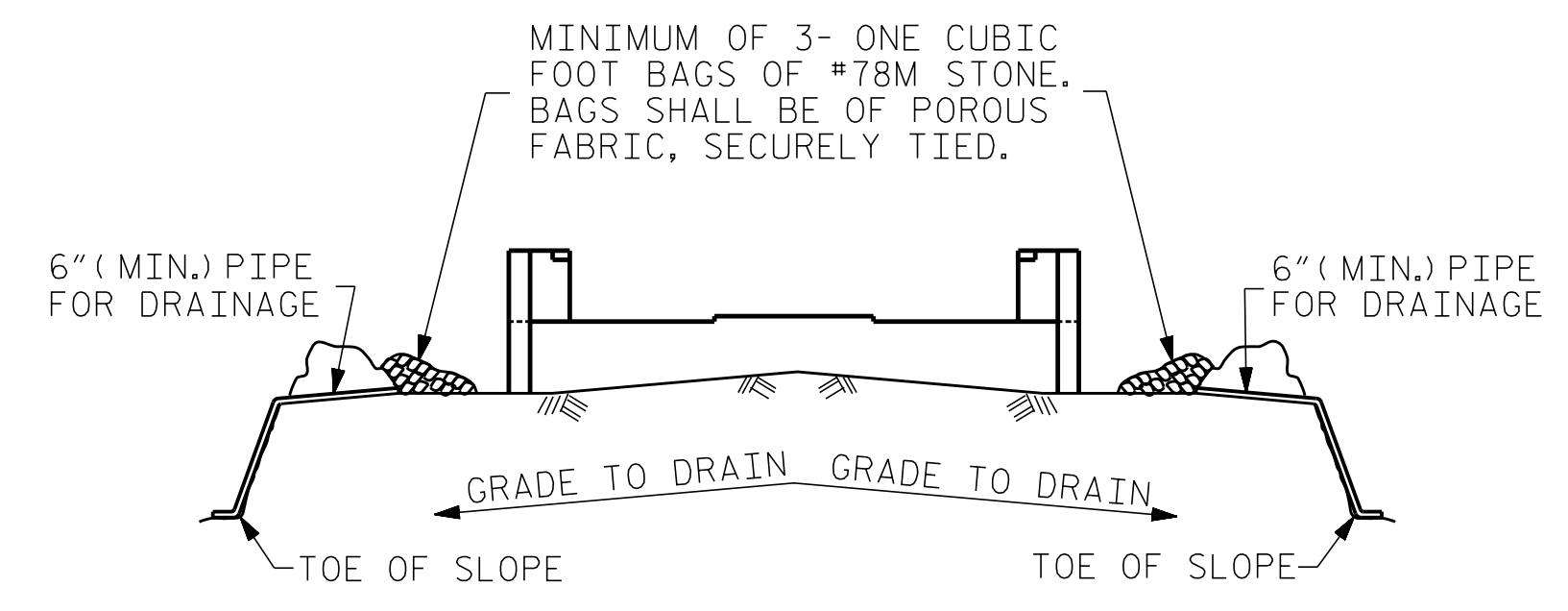


SECTION A-A



BILL OF MATERIAL					
END BENT 1					
BAR	NO.	SIZE	TYPE	LENGTH	WEIGHT
B1	6	10	STR	40'-11"	1,056
B2	6	10	1	43'-9"	1,130
B3	6	5	STR	40'-11"	256
B4	8	4	STR	21'-8"	116
B5	11	4	STR	2'-11"	21
H1	32	5	5	14'-11"	498
S1	52	5	2	11'-1"	601
S2	52	5	3	3'-10"	208
S3	20	4	4	6'-6"	87
V1	72	4	STR	5'-6"	265
V2	56	4	STR	8'-8"	324
REINFORCING STEEL					4,562 LBS.
CLASS A CONCRETE BREAKDOWN POUR 1 (CAP, LOWER WING WALLS, & COLLARS)					24.3 C.Y.



MINIMUM OF 3- ONE CUBIC FOOT BAGS OF #78M STONE. BAGS SHALL BE OF POROUS FABRIC, SECURELY TIED.

6" (MIN.) PIPE FOR DRAINAGE

GRADE TO DRAIN

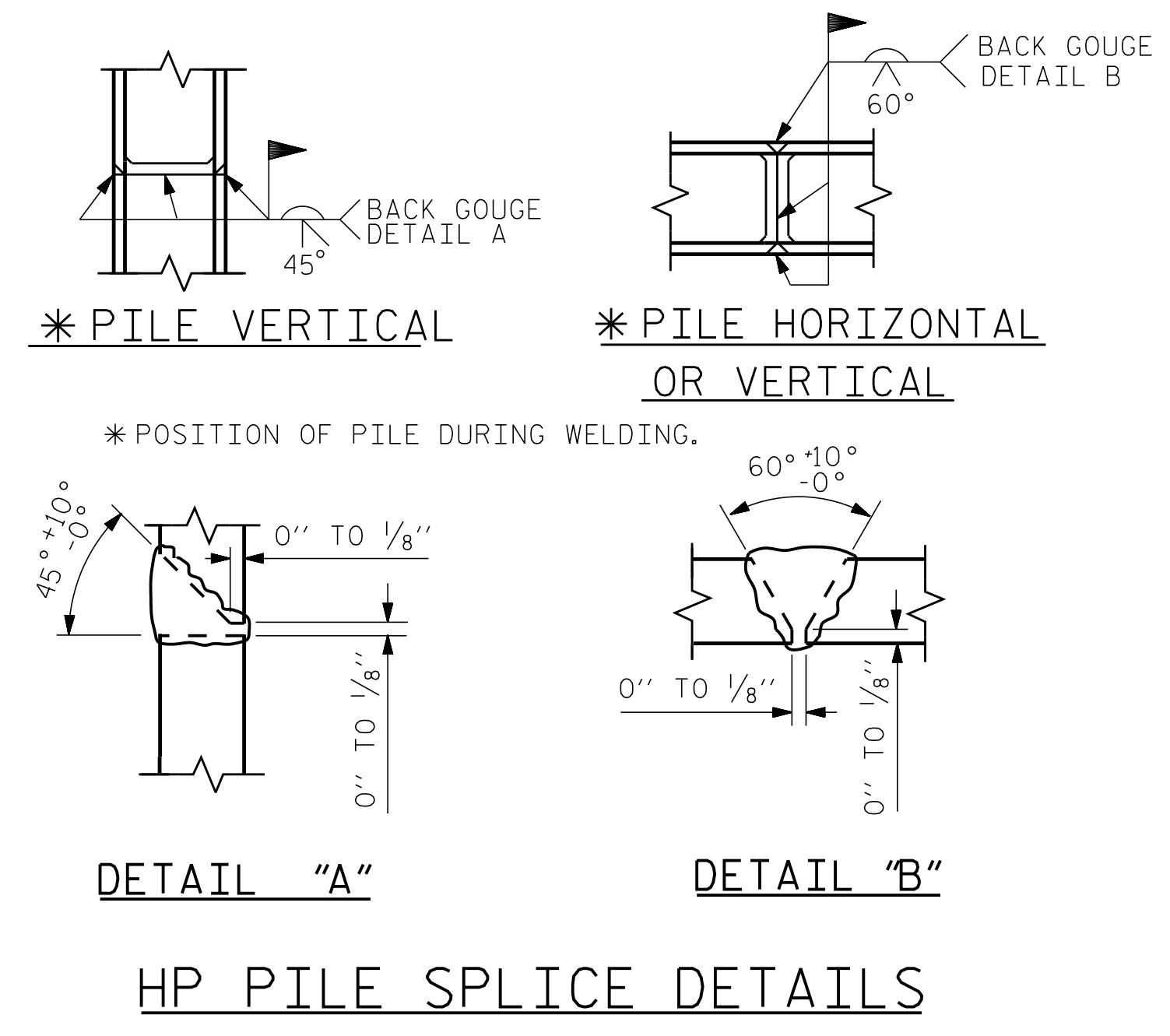
TOE OF SLOPE

BAGGED STONE AND PIPE SHALL BE PLACED IMMEDIATELY AFTER COMPLETION OF END BENT EXCAVATION. PIPE MAY BE EITHER CONCRETE, CORRUGATED STEEL, CORRUGATED ALUMINUM ALLOY, OR CORRUGATED PLASTIC. PERFORATED PIPE WILL NOT BE ALLOWED.

BAGGED STONE SHALL REMAIN IN PLACE UNTIL THE ENGINEER DIRECTS THAT IT BE REMOVED. THE CONTRACTOR SHALL REMOVE AND DISPOSE OF SILT ACCUMULATIONS AT BAGGED STONE WHEN SO DIRECTED BY THE ENGINEER. BAGS SHALL BE REMOVED AND REPLACED WHENEVER THE ENGINEER DETERMINES THAT THEY HAVE DETERIORATED AND LOST THEIR EFFECTIVENESS.

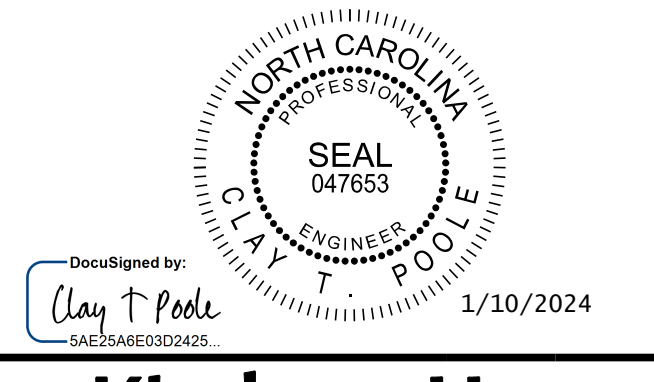
NO SEPARATE PAYMENT WILL BE MADE FOR THIS WORK AND THE ENTIRE COST OF THIS WORK SHALL BE INCLUDED IN THE UNIT CONTRACT PRICE BID FOR THE SEVERAL PAY ITEMS.

TEMPORARY DRAINAGE AT END BENT



DETAIL "A" DETAIL "B"

HP PILE SPLICE DETAILS



Kimley»Horn
 421 Fayetteville Street, Suite 600
 Raleigh, NC 27601-1772
 Phone (919) 677-2000 NC LICENSE # F-0102

PROJECT NO. B-5156
PENDER COUNTY
 STATION: 22+90.50 -L-

SHEET 3 OF 3

STATE OF NORTH CAROLINA
 DEPARTMENT OF TRANSPORTATION
 RALEIGH

END BENT 1
 SECTION AND DETAILS

REVISIONS						SHEET NO.
NO.	BY:	DATE:	NO.	BY:	DATE:	S-31
1			3			TOTAL SHEETS
2			4			45

**DOCUMENT NOT CONSIDERED FINAL
 UNLESS ALL SIGNATURES COMPLETED**

K:\BIDI_Structures\Bridges\AK\01036491 - B-5156\Coord\09\B5156_SML.E3_7002028.dgn

DRAWN BY: D. D. LOWERY DATE: 03/2023
 CHECKED BY: A. L. PHILLIPS DATE: 03/2023
 DESIGN ENGINEER OF RECORD: C. T. POOLE DATE: 03/2023