

AT END OF GIRDER AT C OF GIRDER

0.6" Ø LOW RELAXATION STRAND LAYOUT

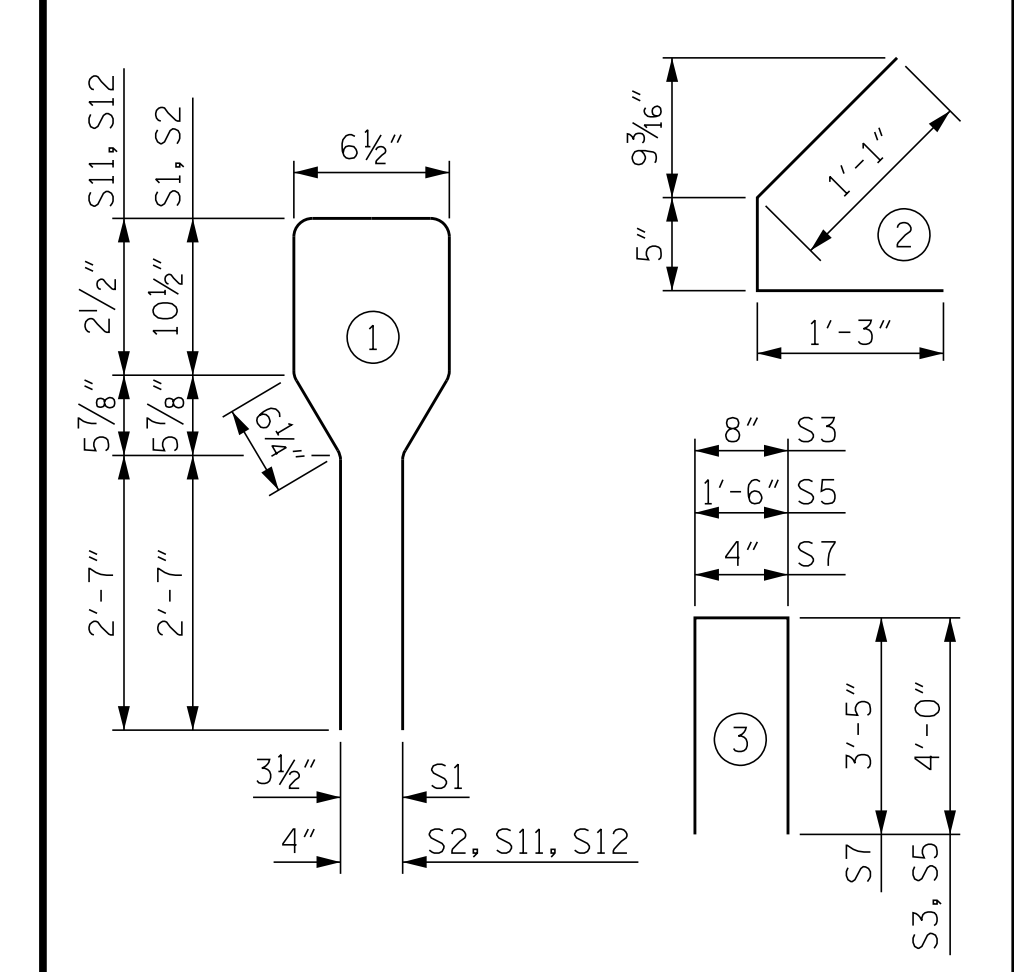
DEBONDING LEGEND

- FULLY BONDED STRANDS
- ▲ FULLY DEBONDED STRANDS

0.6" Ø L.R. GRADE 270 STRANDS		
AREA (SQUARE INCHES)	ULTIMATE STRENGTH (LBS. PER STRAND)	APPLIED PRESTRESS (LBS. PER STRAND)
0.217	58,600	43,950

REINFORCING STEEL FOR ONE GIRDER					
BAR	NUMBER	SIZE	TYPE	LENGTH	WEIGHT
S1	61	#4	1	8'-6"	346
S3	4	#4	3	8'-8"	23
S4	40	#4	2	2'-9"	73
S5	2	#4	3	9'-6"	13
S7	2	#5	3	7'-2"	15
S8	5	#4	STR	7'-0"	23
S11	12	#6	1	7'-2"	129
S12	4	#4	1	7'-2"	19

BAR TYPES



ALL BAR DIMENSIONS ARE OUT-TO-OUT

QUANTITIES FOR ONE GIRDER			
	REINFORCING STEEL	6,000 PSI CONCRETE	0.6" Ø L. R. STRANDS
	LB.	C.Y.	No.
GDR. CG1-CG4	641	9.3	26

GIRDERS REQUIRED

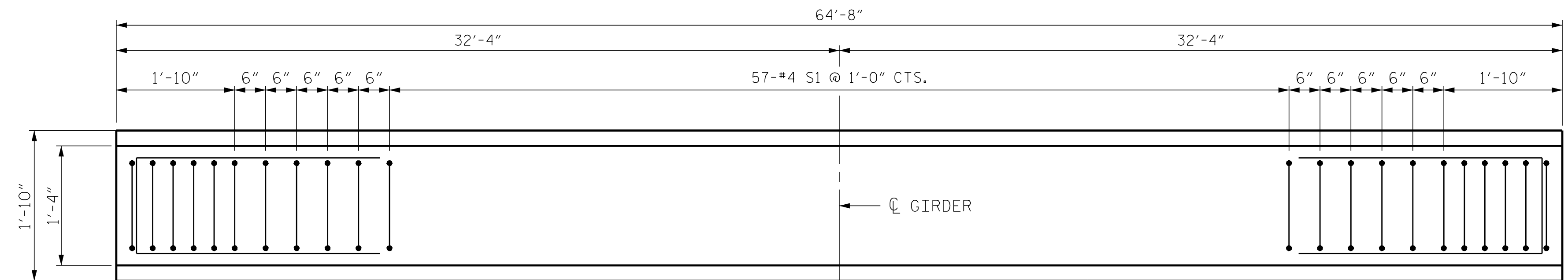
NUMBER	LENGTH	TOTAL LENGTH
4	64'-8"	258'-8"

SECTION A-A

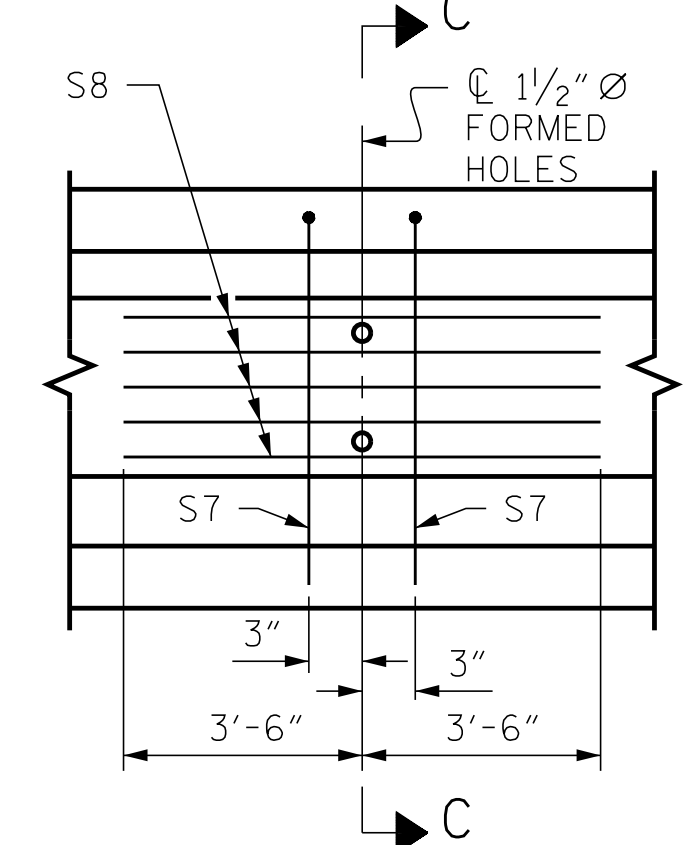
SECTION B-B

SECTION C-C

(S1 BARS NOT SHOWN)

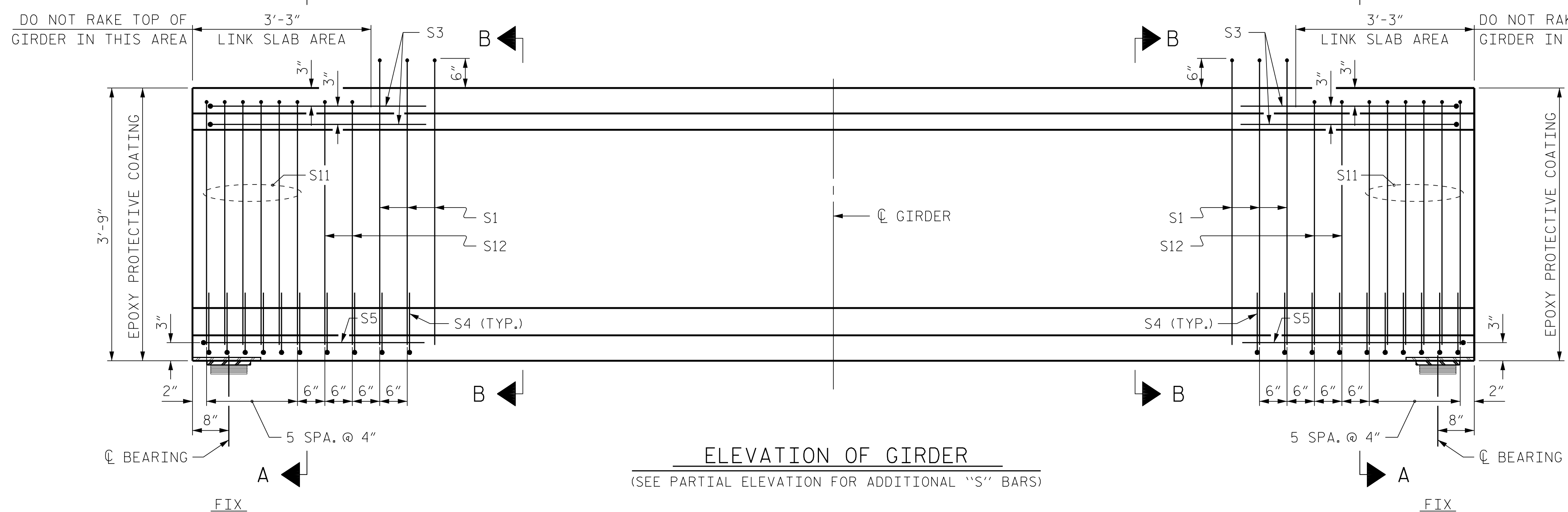


PLAN OF GIRDER



PARTIAL ELEVATION

SHOWING INTERMEDIATE DIAPHRAGM REINFORCING STEEL FOR ALL GIRDERS



ELEVATION OF GIRDER

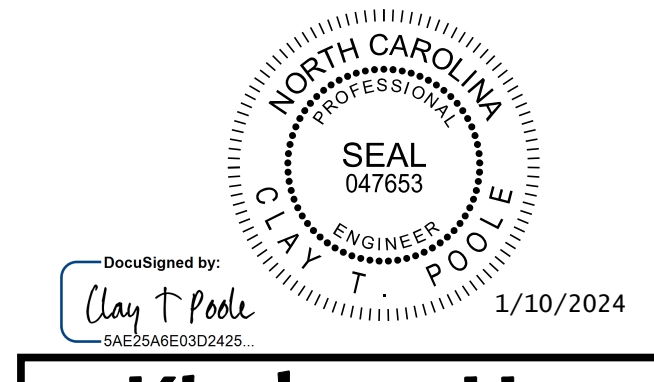
(SEE PARTIAL ELEVATION FOR ADDITIONAL "S" BARS)

PROJECT NO. B-5156  
 PENDER COUNTY  
 STATION: 22+90.50 -L-

SHEET 3 OF 6

STATE OF NORTH CAROLINA  
 DEPARTMENT OF TRANSPORTATION  
 RALEIGH  
 STANDARD  
 AASHTO TYPE III  
 PRESTRESSED CONCRETE GIRDER  
 CONTINUOUS FOR LIVE LOAD  
 SPAN C

REVISIONS						SHEET NO.
NO.	BY:	DATE:	NO.	BY:	DATE:	S-18
1			3			TOTAL SHEETS
2			4			45



**Kimley»Horn**  
 421 Fayetteville Street, Suite 600  
 Raleigh, NC 27601-1772  
 Phone (919) 677-2000 NC LICENSE # F-0102

**DOCUMENT NOT CONSIDERED FINAL  
 UNLESS ALL SIGNATURES COMPLETED**

1/10/2024 K:\BIDI\_Structures\Bridges\NC\01036491 - B-5156\Coof\09\B5156\_SML\_G3\_700208.dgn

ASSEMBLED BY : D. D. LOWERY	DATE : 03/2023
CHECKED BY : C. T. POOLE	DATE : 03/2023
DRAWN BY : ELR 8/91	REV. 1/15 MAA/TMG
CHECKED BY : GRP 8/91	REV. 12/17 MAA/THC
	REV. 11/21 BNB/AAI