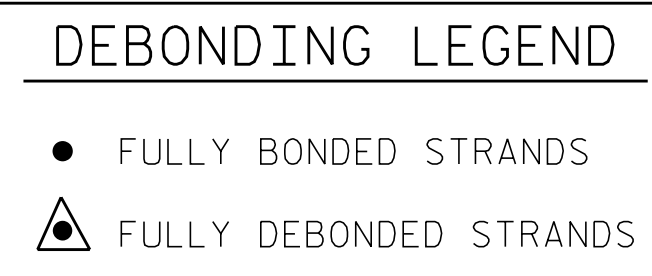


0.6" Ø LOW RELAXATION STRAND LAYOUT

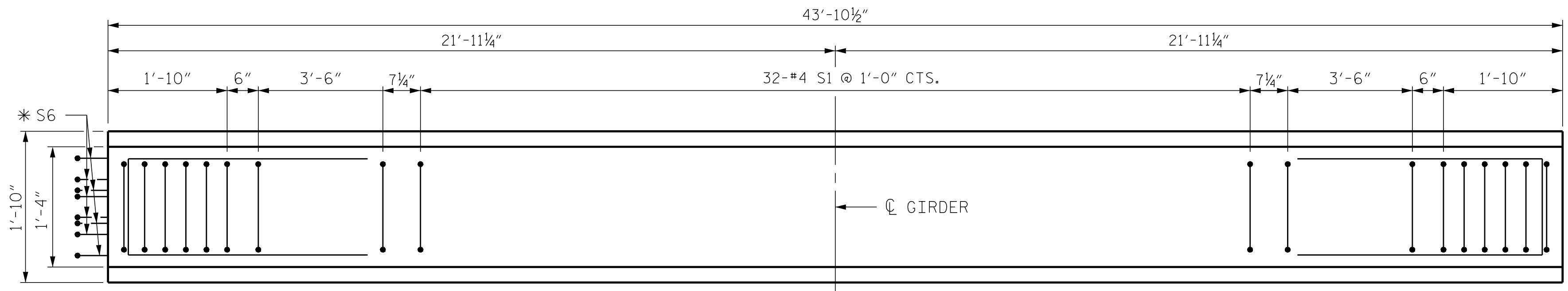


SECTION A-A
* FOR S6 BARS, SEE DETAIL "A" ON SHEET 5 OF 6.

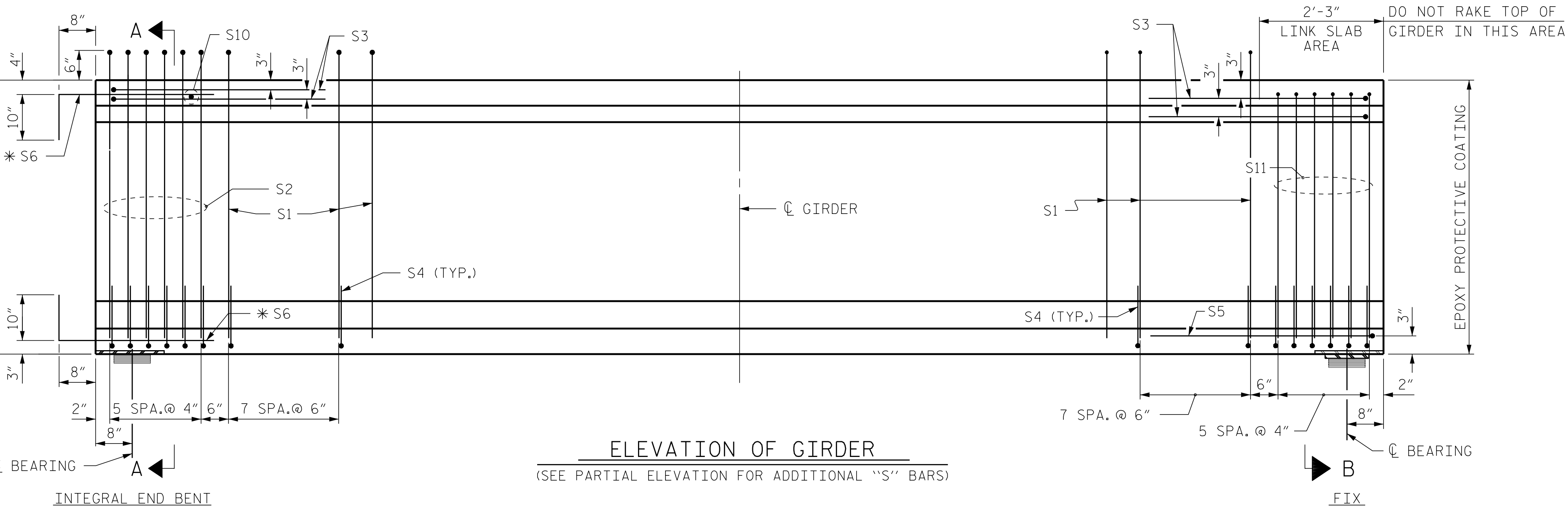
SECTION B-B
(S1 BARS NOT SHOWN)

SECTION C-C
(S1 BARS NOT SHOWN)

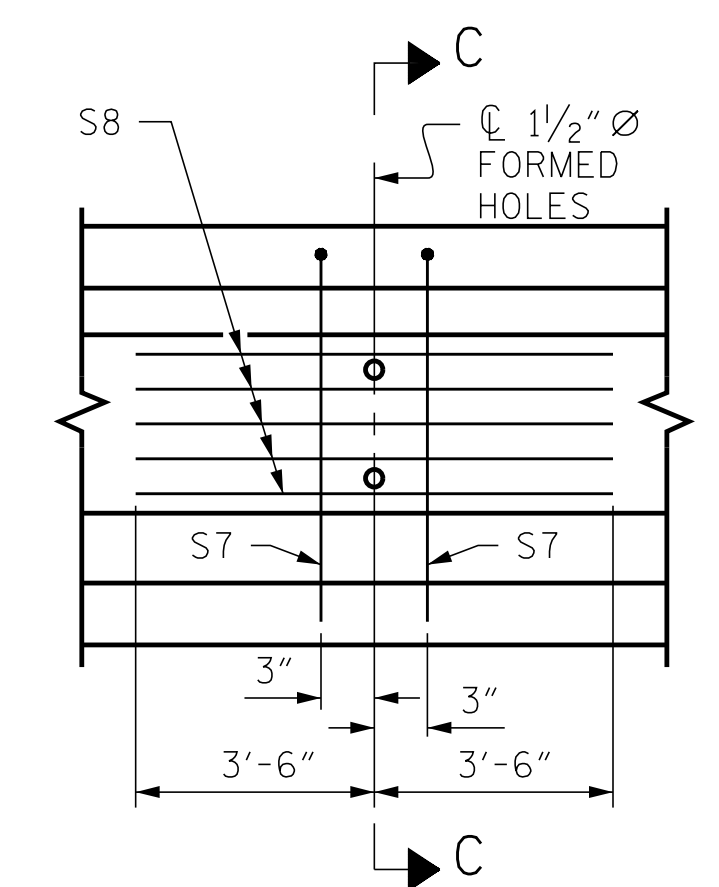
DEBONDING LEGEND



PLAN OF GIRDER



ELEVATION OF GIRDER
(SEE PARTIAL ELEVATION FOR ADDITIONAL "S" BARS)



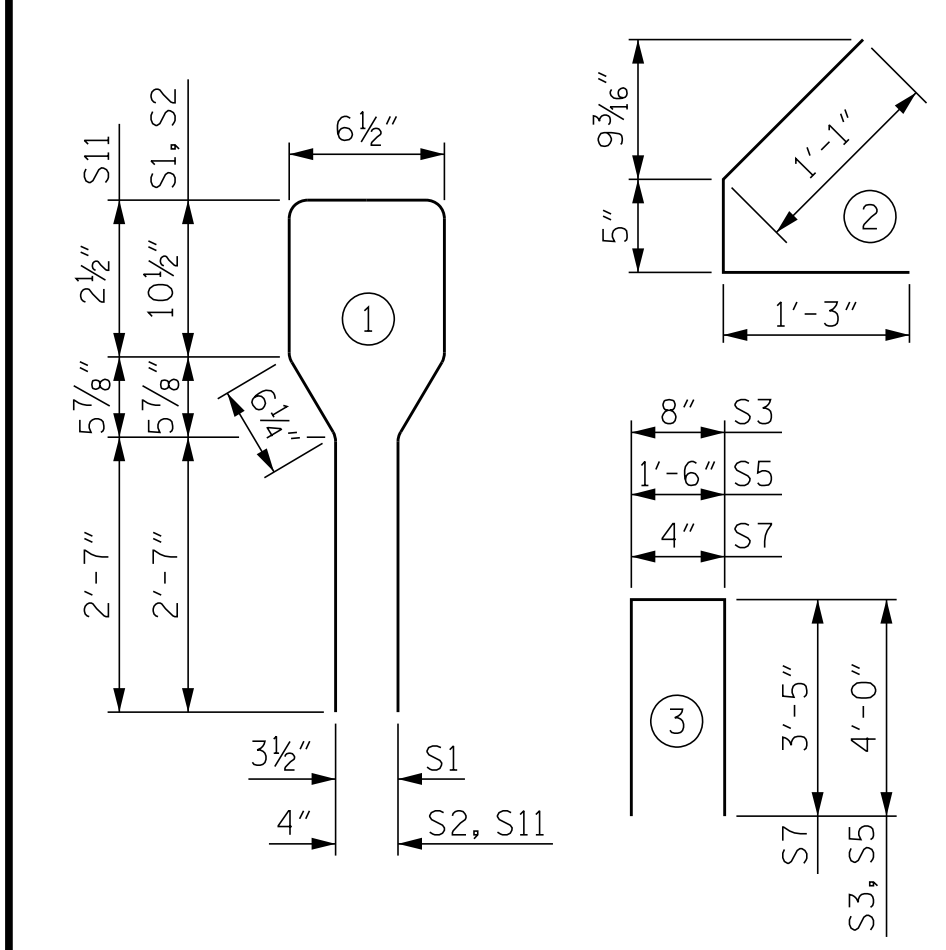
PARTIAL ELEVATION
SHOWING INTERMEDIATE DIAPHRAGM REINFORCING STEEL FOR ALL GIRDERS

0.6" Ø L.R. GRADE 270 STRANDS		
AREA (SQUARE INCHES)	ULTIMATE STRENGTH (LBS. PER STRAND)	APPLIED PRESTRESS (LBS. PER STRAND)
0.217	58,600	43,950

REINFORCING STEEL FOR ONE GIRDER					
BAR	NUMBER	SIZE	TYPE	LENGTH	WEIGHT
S1	48	#4	1	8'-6"	273
S2	6	#6	1	8'-6"	77
S3	4	#4	3	8'-8"	23
S4	48	#4	2	2'-9"	88
S5	1	#4	3	9'-6"	6
*S6	8	#5	STR	3'-8"	31
S7	2	#5	3	7'-2"	15
S8	5	#4	STR	7'-0"	23
S10	1	#3	STR	1'-0"	1
S11	6	#6	1	7'-2"	65

* NOTE: S6 BARS SHALL BE BENT BEFORE SHIPMENT. HEAT BENDING SHALL NOT BE ALLOWED.

BAR TYPES



ALL BAR DIMENSIONS ARE OUT-TO-OUT

QUANTITIES FOR ONE GIRDER			
	REINFORCING STEEL LB.	6,000 PSI CONCRETE C.Y.	0.6" Ø L. R. STRANDS No.
GDR. AG1-AG4	602	6.3	26

GIRDERS REQUIRED		
NUMBER	LENGTH	TOTAL LENGTH
4	43'-10 1/2"	175'-6"

PROJECT NO. B-5156
PENDER COUNTY
 STATION: 22+90.50 -L-

SHEET 1 OF 6

STATE OF NORTH CAROLINA
 DEPARTMENT OF TRANSPORTATION
 RALEIGH
 STANDARD
 AASHTO TYPE III
 PRESTRESSED CONCRETE GIRDER
 CONTINUOUS FOR LIVE LOAD
 SPAN A

REVISIONS						SHEET NO.
NO.	BY:	DATE:	NO.	BY:	DATE:	S-16
1			3			TOTAL SHEETS
2			4			45

DocuSigned by:
 Clay T. Poole
 SEAL
 NORTH CAROLINA PROFESSIONAL ENGINEER
 047653
 1/10/2024
Kimley»Horn
 421 Fayetteville Street, Suite 600
 Raleigh, NC 27601-1772
 Phone (919) 677-2000 NC LICENSE # F-0102

**DOCUMENT NOT CONSIDERED FINAL
 UNLESS ALL SIGNATURES COMPLETED**

This document, together with the concepts and designs presented herein, is an integral part of the project. It is intended only for the specific project and site. Any written authorization and adaptation by Kimley-Horn and Associates, Inc. shall be without liability to Kimley-Horn and Associates, Inc.
 Copyright Kimley-Horn and Associates, Inc., 2024

1/10/2024 K:\BIDI-Structures\Bridges\NC\01036491 - B-5156\Coor\09\B5156_SML.G1_1002028.dgn

ASSEMBLED BY : D. D. LOWERY	DATE : 03/2023
CHECKED BY : C. T. POOLE	DATE : 03/2023
DRAWN BY : ELR 8/91	REV. 1/15 MAA/TMG
CHECKED BY : GRP 8/91	REV. 12/17 MAA/THC
	REV. 11/21 BNB/AAI