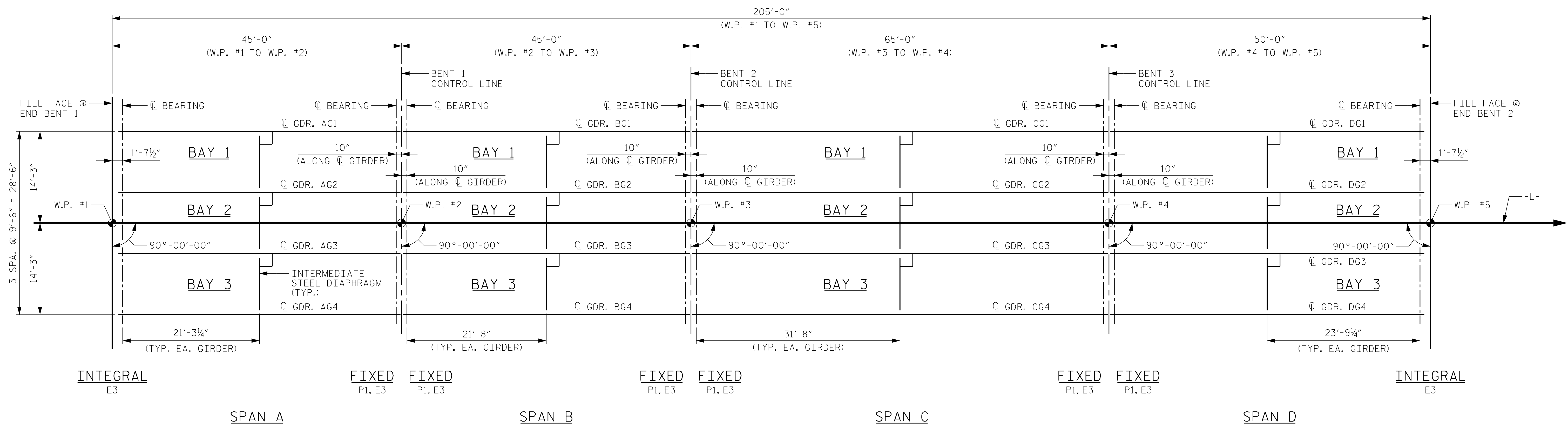


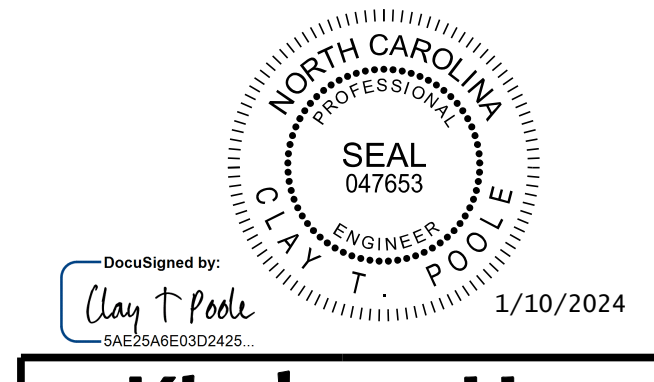
NOTES

FOR STEEL DIAPHRAGM DETAILS, SEE "INTERMEDIATE STEEL DIAPHRAGMS FOR TYPE III PRESTRESSED CONCRETE GIRDER" SHEET.



FRAMING PLAN

PROJECT NO. B-5156
PENDER COUNTY
 STATION: 22+90.50 -L-



Kimley»Horn
 421 Fayetteville Street, Suite 600
 Raleigh, NC 27601-1772
 Phone (919) 677-2000
 NC LICENSE # F-0102

STATE OF NORTH CAROLINA
 DEPARTMENT OF TRANSPORTATION
 RALEIGH
 SUPERSTRUCTURE
 FRAMING PLAN

DRAWN BY: D. D. LOWERY DATE: 03/2023
 CHECKED BY: A. L. PHILLIPS DATE: 03/2023
 DESIGN ENGINEER OF RECORD: C. T. POOLE DATE: 03/2023

**DOCUMENT NOT CONSIDERED FINAL
 UNLESS ALL SIGNATURES COMPLETED**

REVISIONS						SHEET NO.
NO.	BY:	DATE:	NO.	BY:	DATE:	S-15
1			3			TOTAL SHEETS
2			4			45

K:\BIDI-Structures\Bridges\NC\011036491 - B-5156\Coord\09\B5156_SML_FPI_700028.dgn