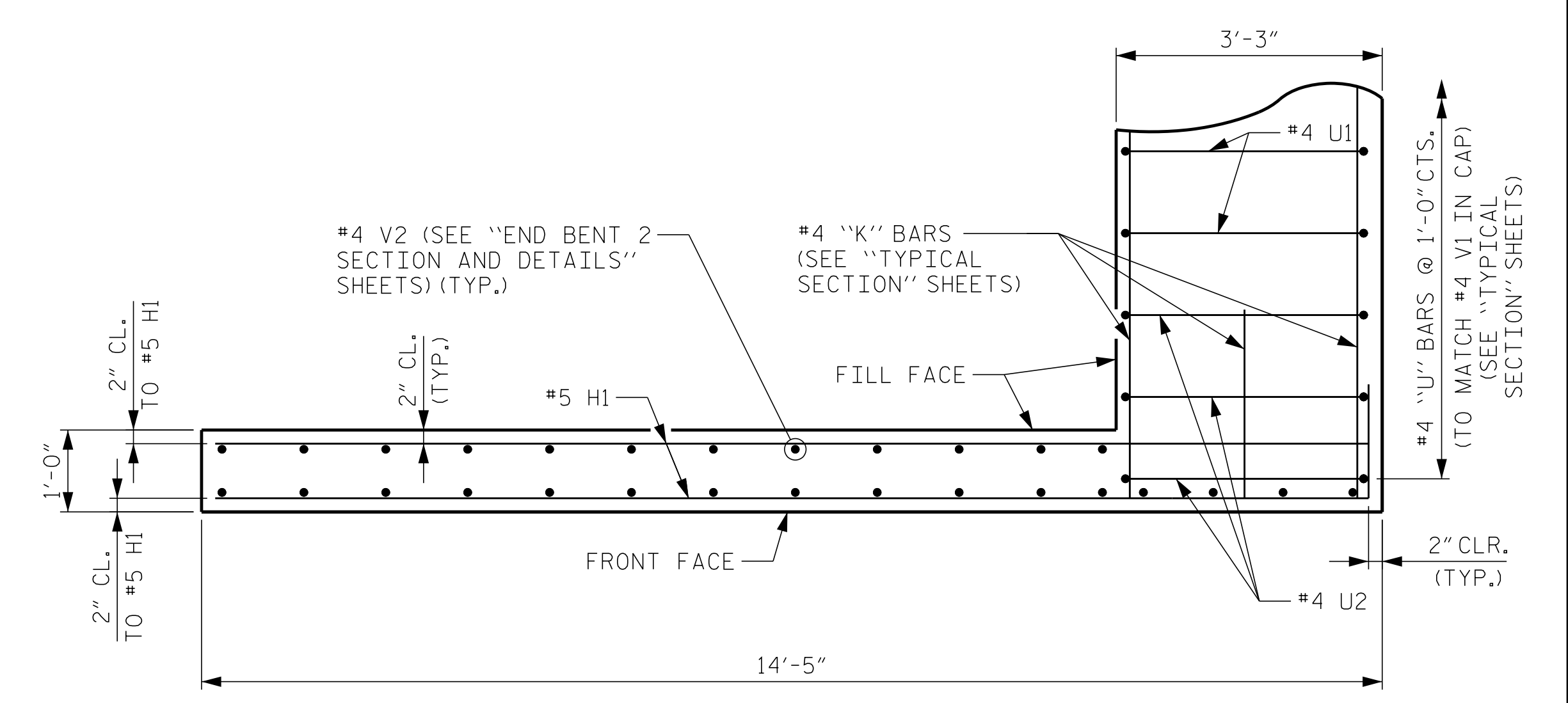
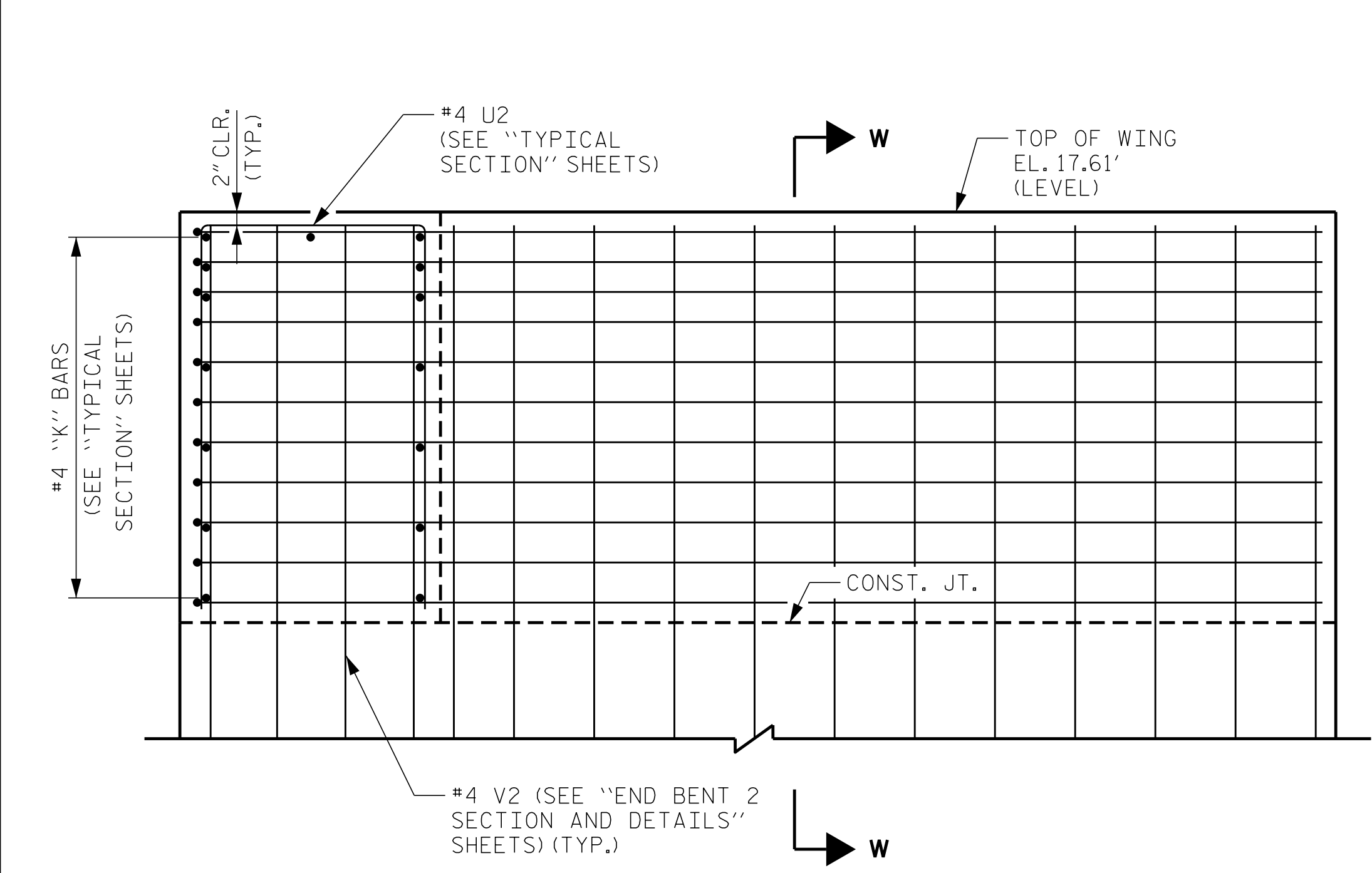


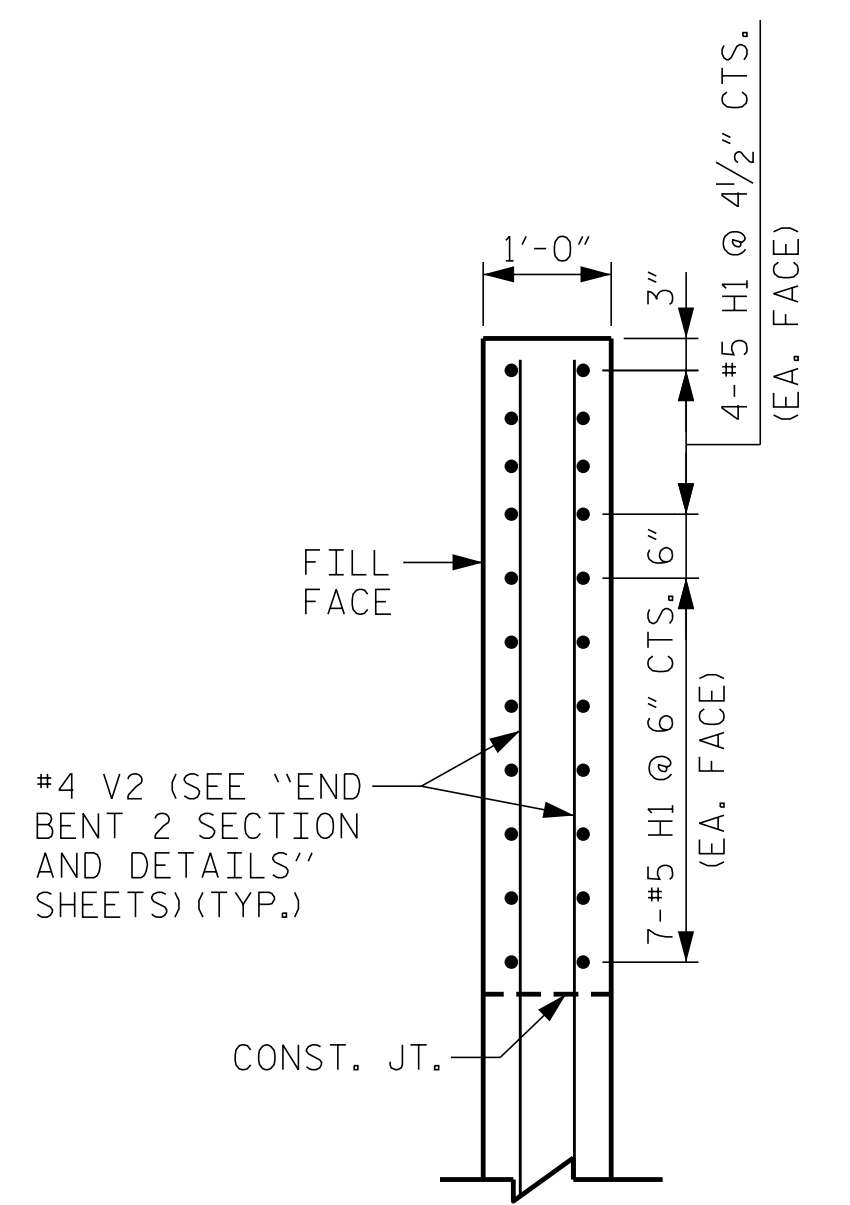
PLAN OF WING W1



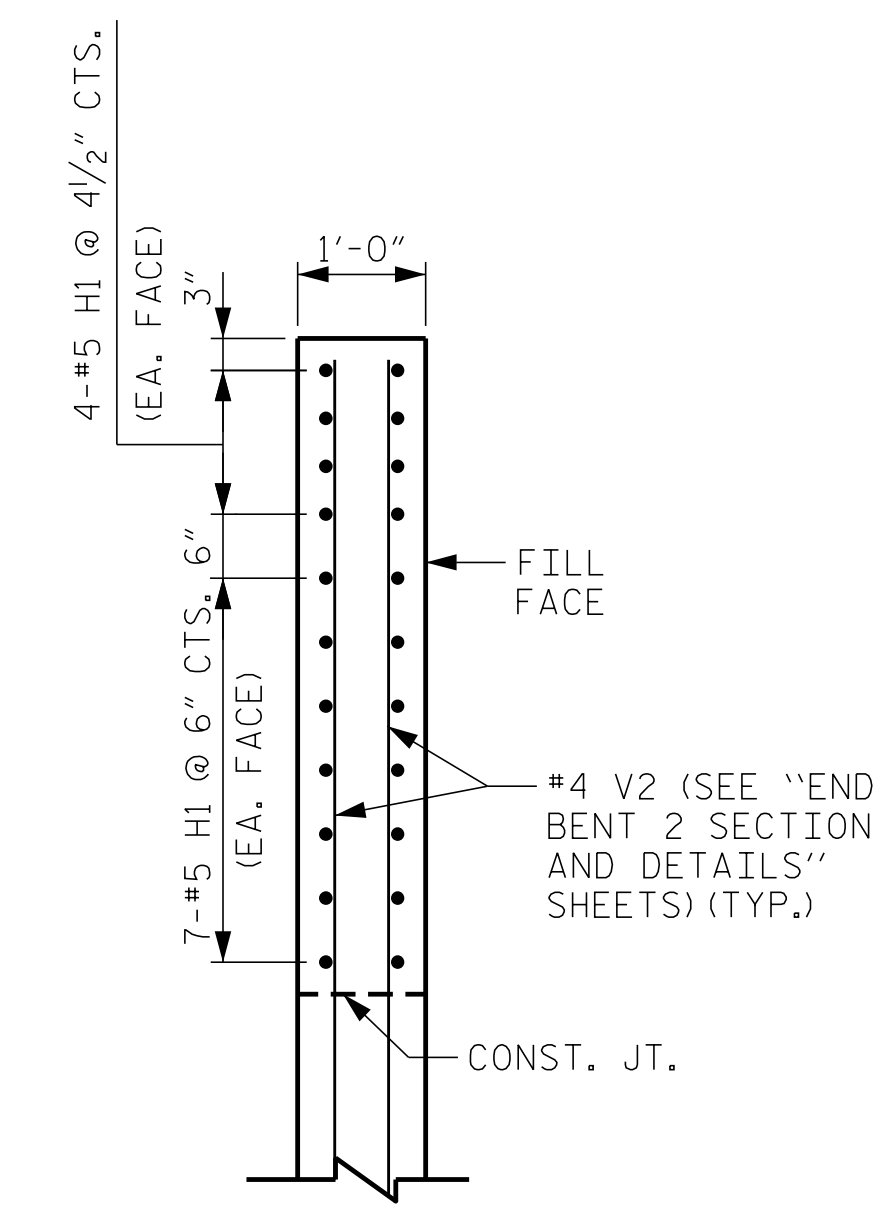
PLAN OF WING W2



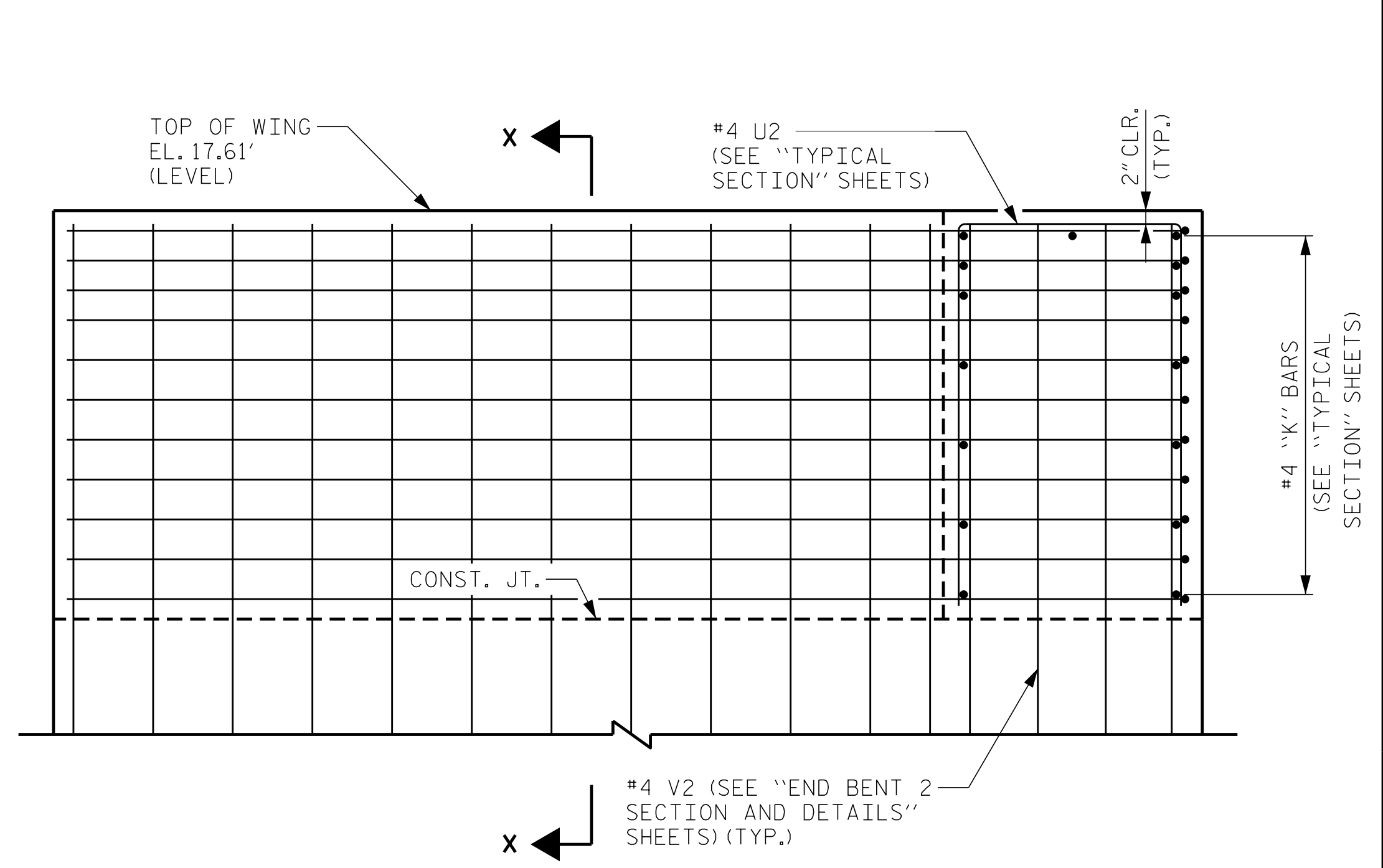
ELEVATION OF WING W1



SECTION W-W



SECTION X-X



ELEVATION OF WING W2

UPPER WINGS AT INTEGRAL END BENT 2
FOR LOWER WING REINFORCING STEEL AND DETAILS, SEE "END BENT 2 SECTION AND DETAILS" SHEETS

PROJECT NO. B-5156
PENDER COUNTY
 STATION: 22+90.50 -L-

SHEET 6 OF 6

DocuSigned by:
 Clay T. Poole
 1/10/2024

Kimley»Horn
 421 Fayetteville Street, Suite 600
 Raleigh, NC 27601-1772
 Phone (919) 677-2000
 NC LICENSE # F-0102

STATE OF NORTH CAROLINA
 DEPARTMENT OF TRANSPORTATION
 RALEIGH
 SUPERSTRUCTURE
 PLAN OF SPAN
 DETAILS @ END BENT 2

REVISIONS						SHEET NO. S-14
NO.	BY:	DATE:	NO.	BY:	DATE:	
1			3			TOTAL SHEETS 45
2			4			

K:\BID1-Structures\Bridges\NC\011036491 - B-5156\Coord\09\B5156_SML_S6_700208.dgn

DRAWN BY: D. D. LOWERY DATE: 03/2023
 CHECKED BY: A. L. PHILLIPS DATE: 03/2023
 DESIGN ENGINEER OF RECORD: C. T. POOLE DATE: 03/2023

**DOCUMENT NOT CONSIDERED FINAL
 UNLESS ALL SIGNATURES COMPLETED**

This document, together with the concepts and designs presented herein, is an instrument of service. It is intended only for the specific purpose and area for which written authorization and adoption by Kimley-Horn and Associates, Inc. shall be without liability to Kimley-Horn and Associates, Inc.