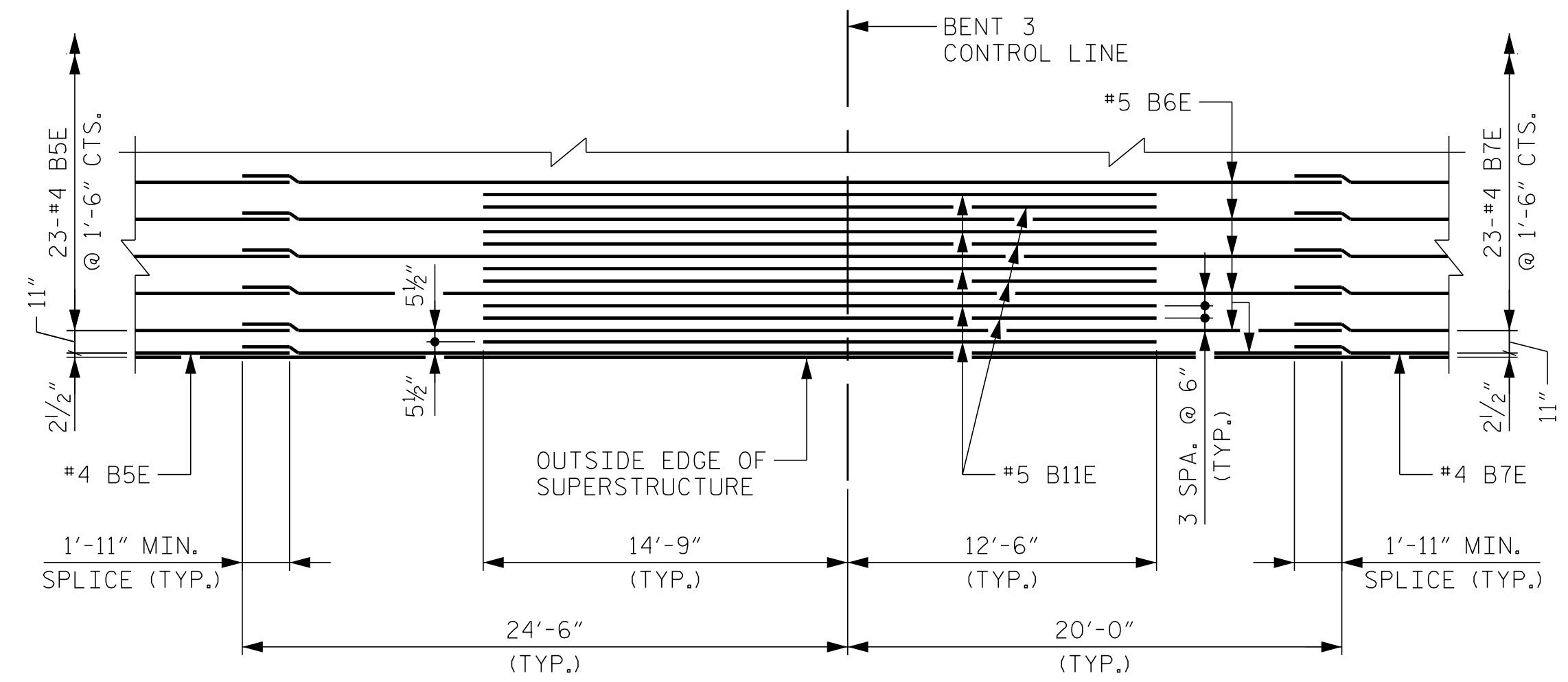


SPAN C PLAN OF SPAN SPAN D

LONGITUDINAL TOP AND BOTTOM OF SLAB REINFORCING IS SYMMETRICAL ABOUT -L-

NOTES

- FOR POUR SEQUENCE AND LOCATION OF CONSTRUCTION JOINTS, SEE SUPERSTRUCTURE "BILL OF MATERIAL" SHEET.
- LONGITUDINAL STEEL MAY BE SHIFTED SLIGHTLY, AS NECESSARY, TO AVOID INTERFERENCE WITH STIRRUPS IN PRESTRESSED CONCRETE GIRDERS.
- FOR CONCRETE BARRIER RAIL REINFORCING STEEL, SEE "CONCRETE BARRIER RAIL" SHEETS.
- INTERMEDIATE DIAPHRAGMS NOT SHOWN FOR CLARITY, SEE "FRAMING PLAN" SHEET.
- FOR LINK SLAB DETAILS, SEE "LINK SLAB DETAILS" SHEET.

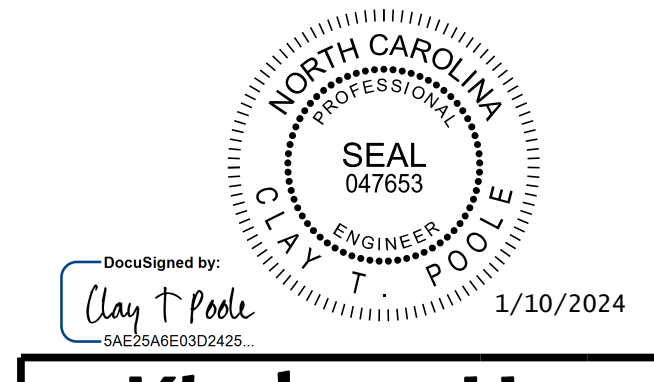


DETAIL "C"

LONGITUDINAL TOP OF SLAB REINFORCING IS SYMMETRICAL ABOUT -L-

PROJECT NO. B-5156
PENDER COUNTY
 STATION: 22+90.50 -L-

SHEET 2 OF 6



Kimley»Horn
 421 Fayetteville Street, Suite 600
 Raleigh, NC 27601-1772
 Phone (919) 677-2000 NC LICENSE # F-0102

STATE OF NORTH CAROLINA
 DEPARTMENT OF TRANSPORTATION
 RALEIGH
 SUPERSTRUCTURE
 PLAN OF SPAN

REVISIONS						SHEET NO.
NO.	BY:	DATE:	NO.	BY:	DATE:	S-10
1			3			TOTAL SHEETS
2			4			45

**DOCUMENT NOT CONSIDERED FINAL
 UNLESS ALL SIGNATURES COMPLETED**

K:\BIDI_Structures\Bridges\NC\01036491 - B-5156\Coord\09\B5156_SML_S2_100208.dgn 1/10/2024

DRAWN BY: D. D. LOWERY DATE: 03/2023
 CHECKED BY: A. L. PHILLIPS DATE: 03/2023
 DESIGN ENGINEER OF RECORD: C. T. POOLE DATE: 03/2023