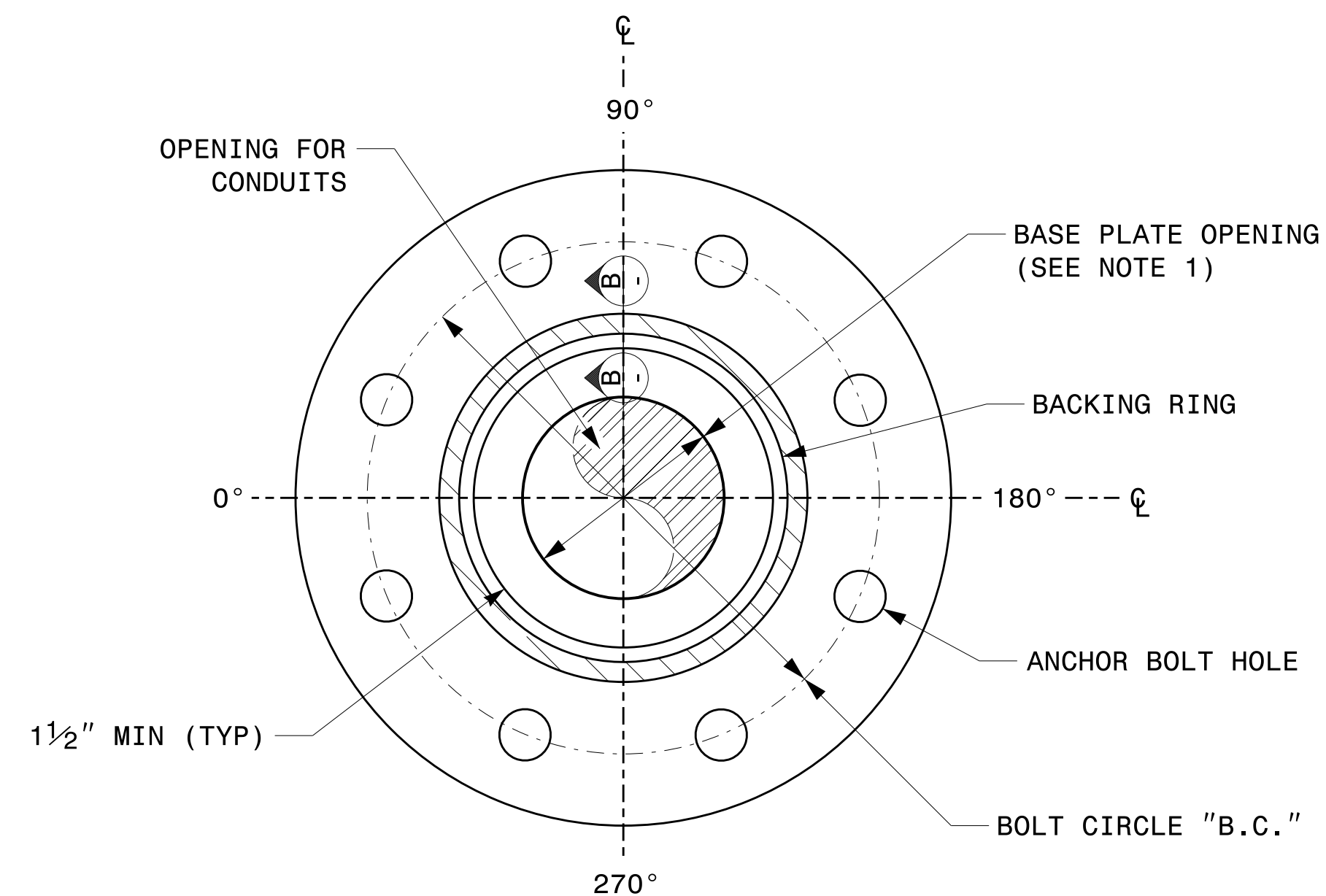
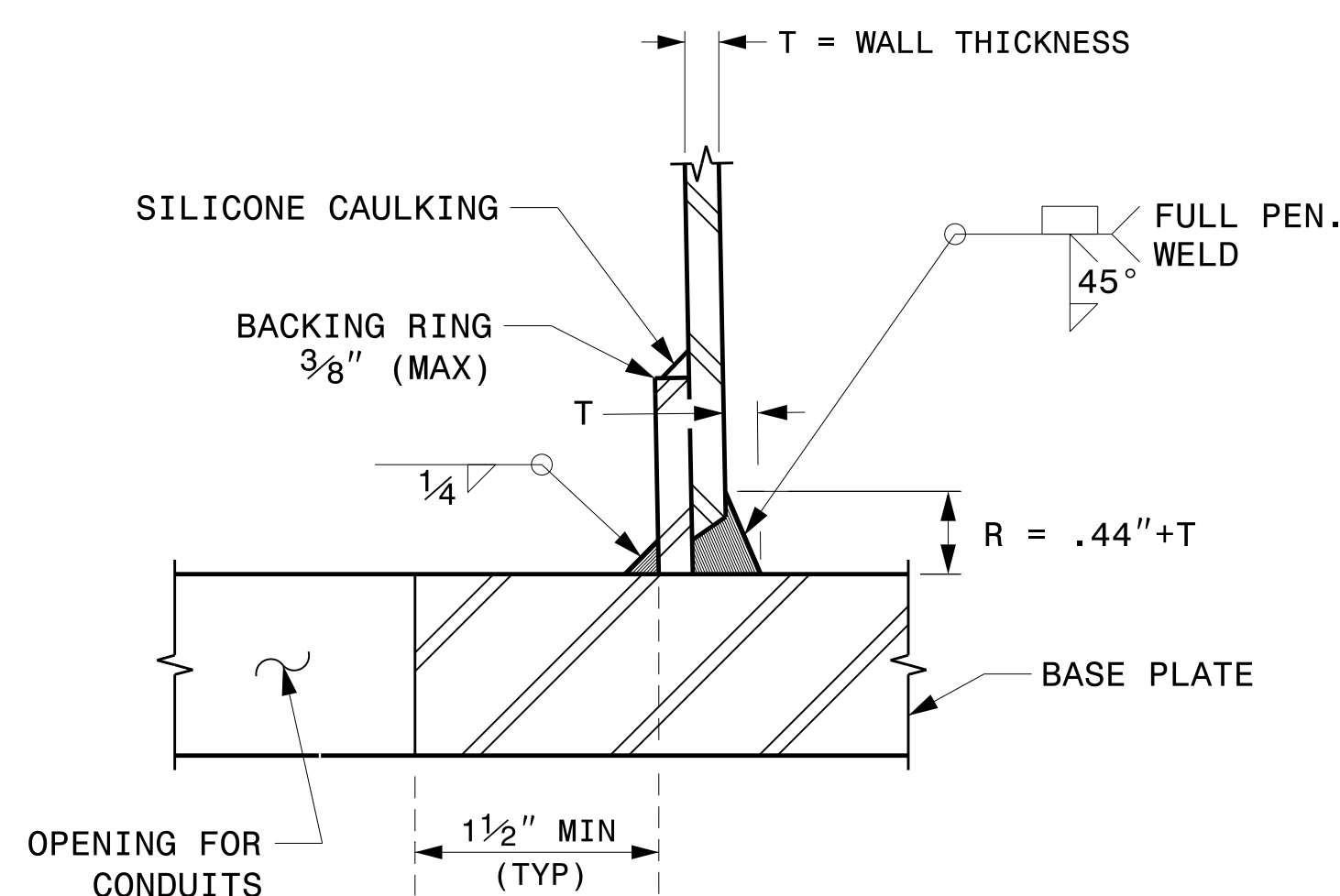


NOTE:

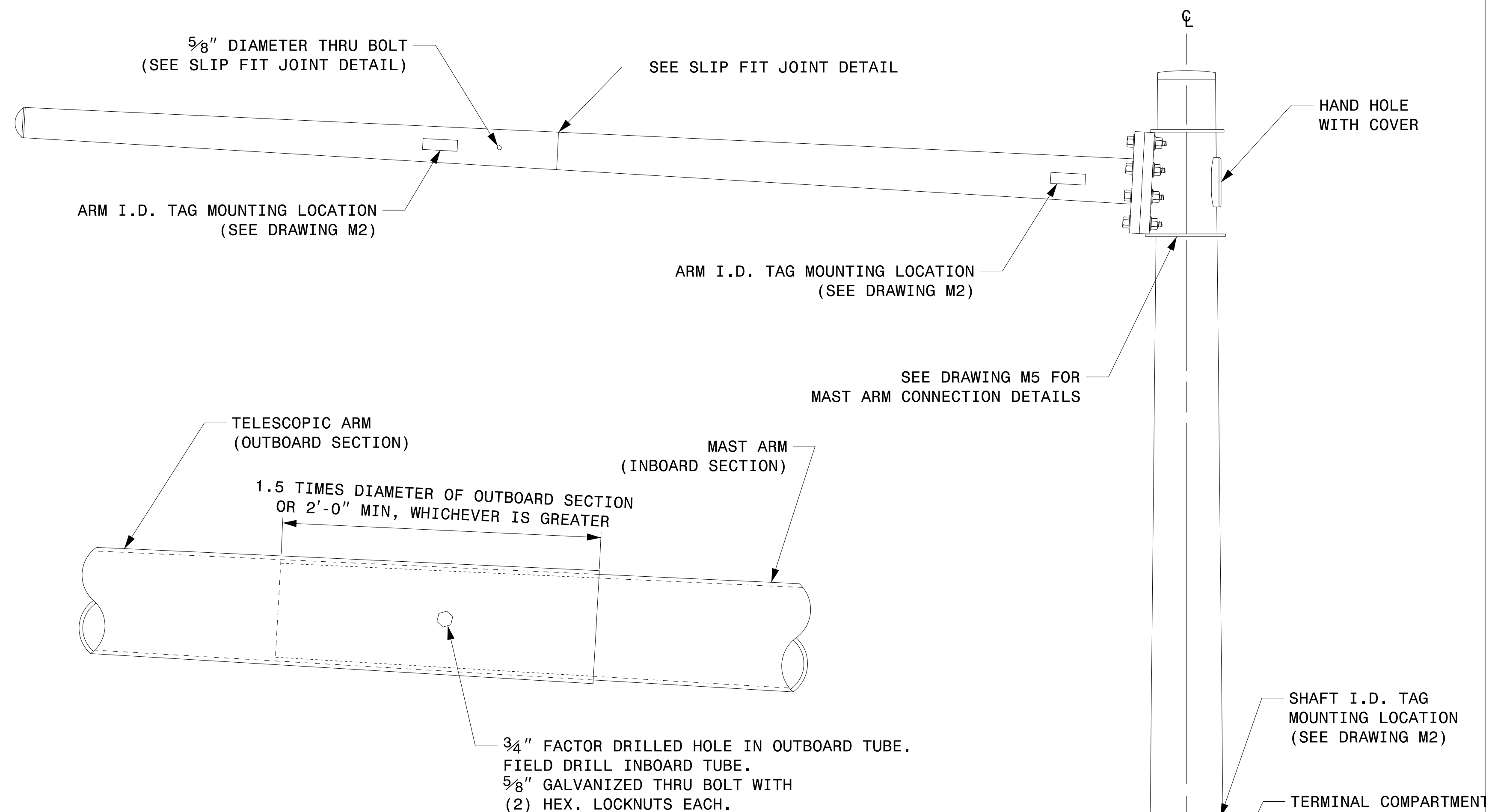
1. OPENING IN POLE BASE PLATE SHALL BE EQUAL TO POLE BASE INSIDE DIAMETER MINUS 3 1/2" BUT SHALL NOT BE LESS THAN 8 1/2".



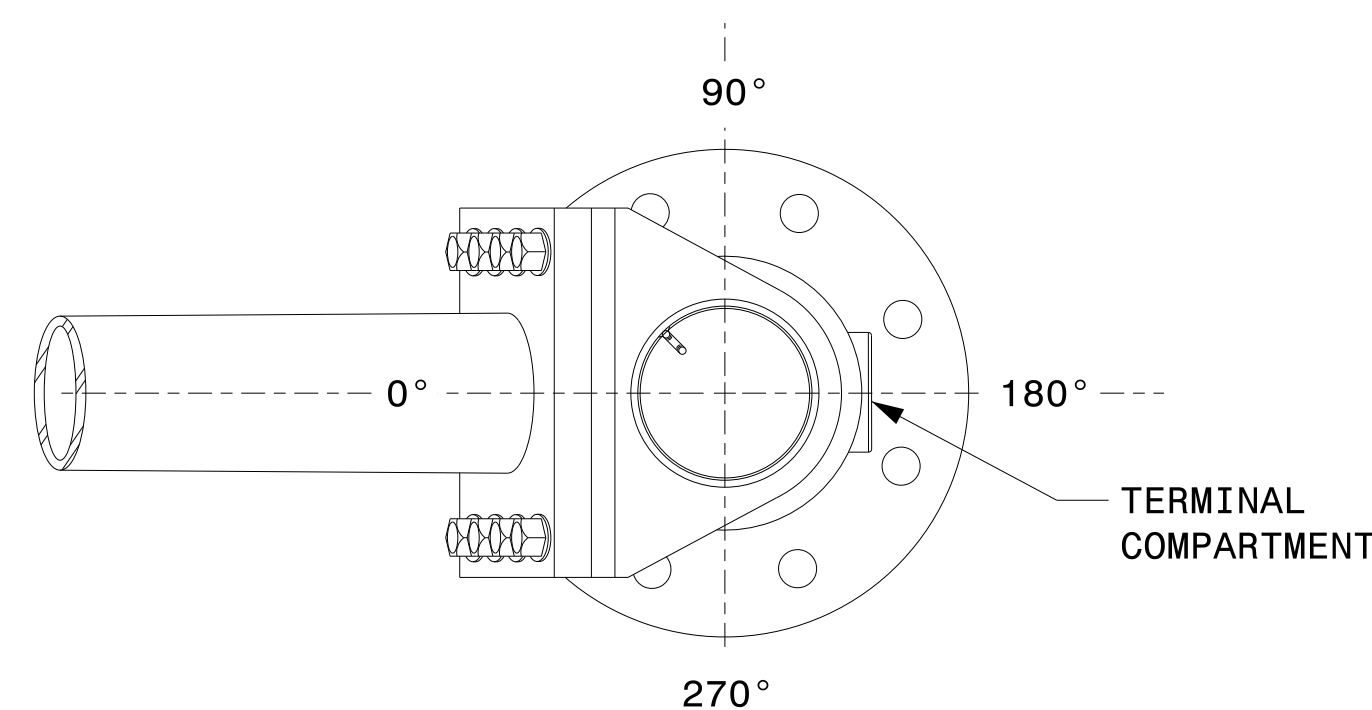
SECTION A-A
POLE BASE PLATE DETAILS



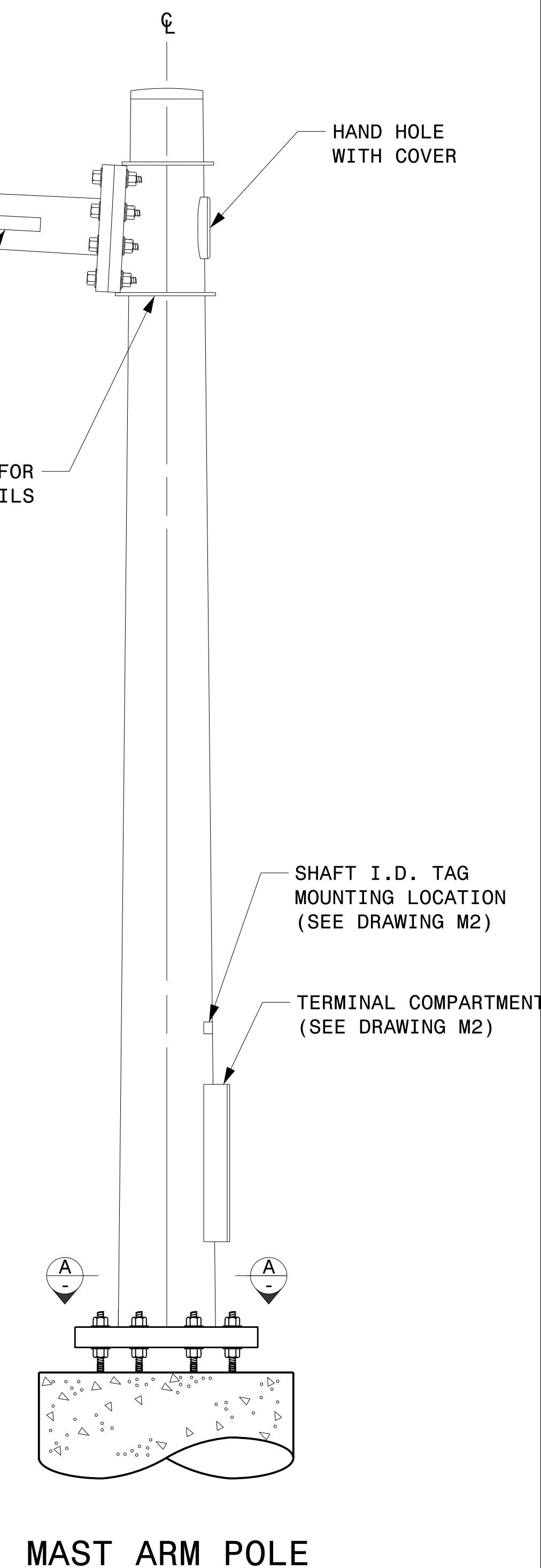
SECTION B-B
(POLE ATTACHMENT TO BASE PLATE)
FULL-PENETRATION
GROOVE WELD DETAIL



SLIP FIT JOINT DETAIL FOR MAST ARM



MAST ARM RADIAL ORIENTATION



MAST ARM POLE

Prepared in the Offices of:

750 N. Greenfield Pkwy, Garner, NC 27529

SCALE: NA
NONE

Typical Fabrication Details For Mast Arm Poles	
PLAN DATE: SEPTEMBER 2023	DESIGNED BY: K.C. DURIGON
PREPARED BY: K.C. DURIGON	REVIEWED BY: D.C. SARKAR
REVISIONS	INIT. DATE

SEAL

DocuSigned by:
Kevin Durigon
09/21/2023

03-dt-2023-10-31
S:\ISSUES\15-SIGNAL\Signal Design\Structures\Drawings\2024\Metal Pole Std Drawings for LRF\0204_Sig.M4_Std_Fabrication_Details-Mast Arm Poles.dgn
Kedar Tagon

Fabrication Details – Mast Arm Poles