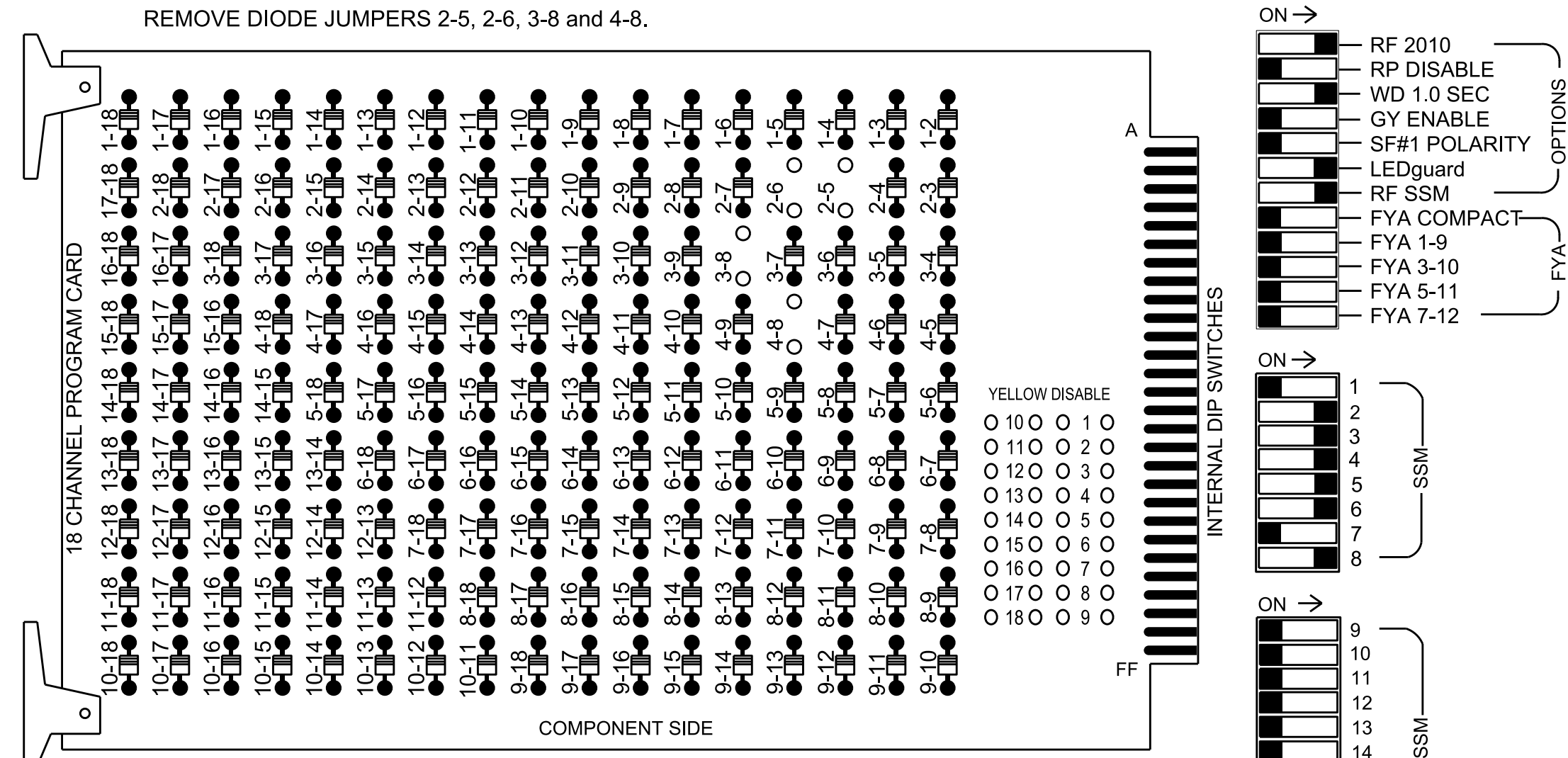


18 CHANNEL IP CONFLICT MONITOR PROGRAMMING DETAIL

(remove jumpers and set switches as shown)



NOTES:

- Card is provided with all diode jumpers in place. Removal of any jumper allows its channels to run concurrently.
- Ensure jumpers SEL2-SEL5 and SEL9 are present on the monitor board.
- Ensure that the Red Enable is active at all times during normal operation.
- Integrate monitor with Ethernet network in cabinet.

NOTES

- To prevent "flash-conflict" problems, insert red flash program blocks for all unused vehicle load switches in the output file. The installer shall verify that signal heads flash in accordance with the signal plan.
- Program phases 4 and 8 for Dual Entry.
- Program controller to start up in phase 2 Green No Walk and 6 Green No Walk.
- If this signal will be managed by an ATMS software, enable controller and detector logging for all detectors used at this location.

EQUIPMENT INFORMATION

Controller.....2070LX
 Cabinet.....332 w/ Aux
 Software.....Q-Free MAXTIME
 Cabinet Mount.....Base
 Output File Positions.....18 With Aux. Output File
 Load Switches Used.....S2, S4, S5, S7, S8, S11
 Phases Used.....2, 3, 4, 5, 6, 8
 Overlap "1".....Not Used
 Overlap "2".....Not Used
 Overlap "3".....Not Used
 Overlap "4".....Not Used

SIGNAL HEAD HOOK-UP CHART

LOAD SWITCH NO.	S1	S2	S3	S4	S5	S6	S7	S8	S9	S10	S11	S12	AUX S1	AUX S2	AUX S3	AUX S4	AUX S5	AUX S6
CMU CHANNEL NO.	1	2	13	3	4	14	5	6	15	7	8	16	9	10	17	11	12	18
PHASE	1	2	2 PED	3	4	4 PED	5	6	6 PED	7	8	8 PED	OL1	OL2	SPARE	OL3	OL4	SPARE
SIGNAL HEAD NO.	NU	21,22	NU	81	41,42	NU	21	61,62	NU	NU	81,82	NU	NU	NU	NU	NU	NU	NU
RED		128		*	101		*	134			107							
YELLOW		129			102			135			108							
GREEN		130			103			136			109							
RED ARROW																		
YELLOW ARROW					117			132										
GREEN ARROW					118			133										

NU = Not Used
 * Denotes install load resistor. See load resistor installation detail this sheet.

BACKUP PREVENTION PROGRAMMING

Front Panel
 Main Menu >Controller >Sequence & Phs Config >Backup Prevention > Backup Protection Plan

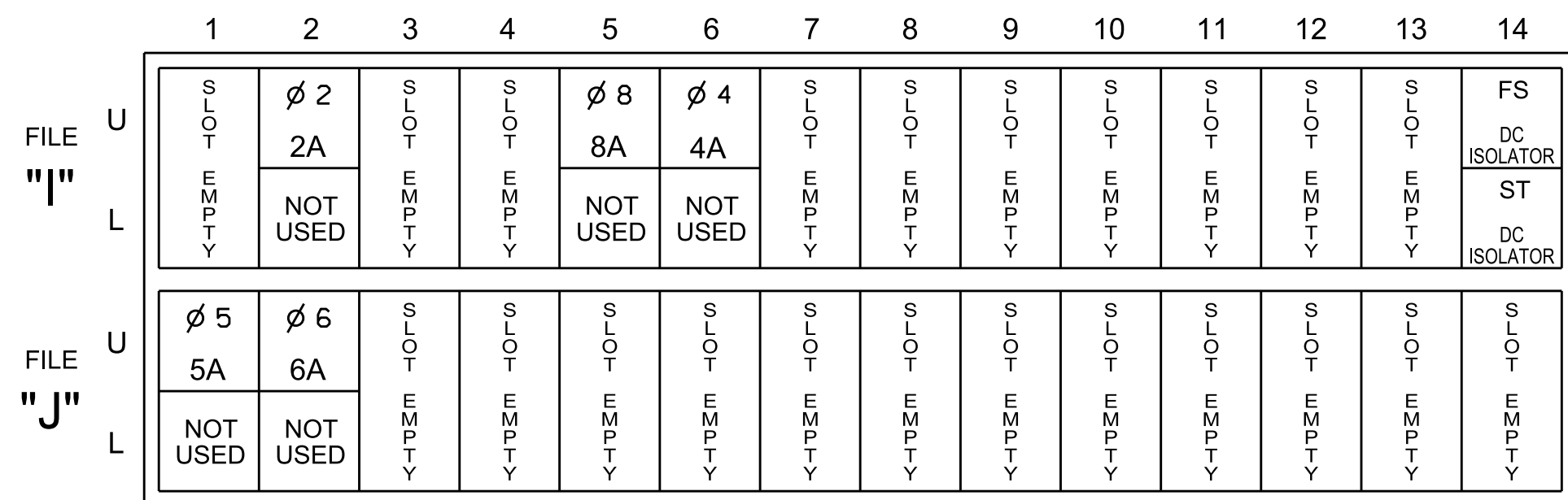
Web Interface
 Home >Controller> Backup Prevention >Backup Protection Plan

Sequence 1

No Backup Phase	1	2	3	4	5	6	7	8
Serve Phase 1	-	-	-	-	-	-	-	-
Serve Phase 2	-	-	-	-	-	-	-	-
Serve Phase 3	-	-	-	-	-	-	-	-
Serve Phase 4	-	-	-	-	-	-	-	-
Serve Phase 5	-	-	-	-	-	-	-	-
Serve Phase 6	-	-	-	-	X	-	-	-
Serve Phase 7	-	-	-	-	-	-	-	-
Serve Phase 8	-	-	-	-	-	-	-	-

INPUT FILE POSITION LAYOUT

(front view)



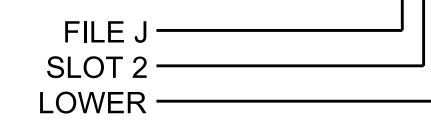
EX. : 1A, 2A, ETC. = LOOP NO.'S

FS = FLASH SENSE
 ST = STOP TIME

INPUT FILE CONNECTION & PROGRAMMING CHART

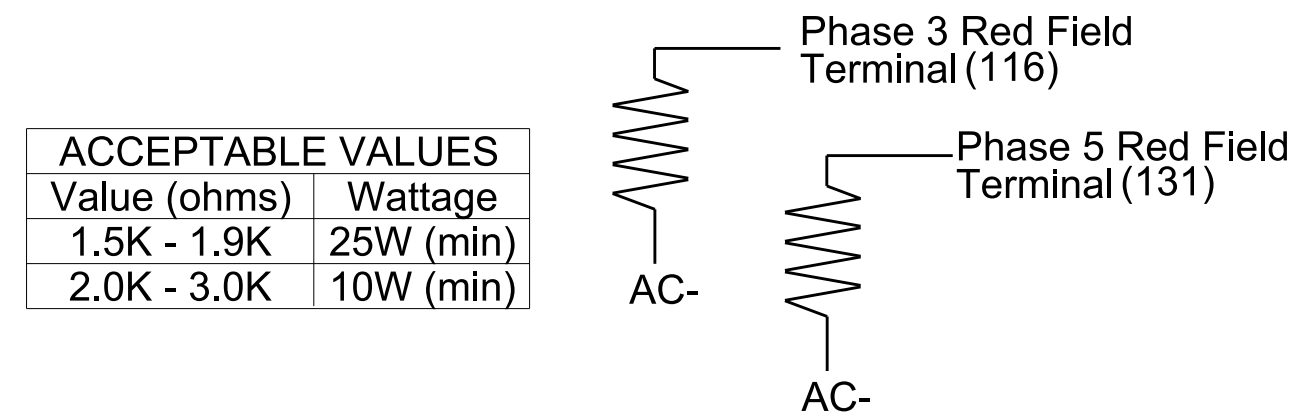
LOOP NO.	LOOP TERMINAL	INPUT FILE POS.	PIN NO.	INPUT POINT	DETECTOR NO.	CALL PHASE	DELAY TIME	EXTEND TIME	EXTEND	ADDED INITIAL	CALL	DELAY DURING GREEN
2A	TB2-5,6	I2U	39	1	2	2			X		X	
4A	TB4-9,10	I6U	41	3	8	4	3.0		X		X	
5A	TB3-1,2	J1U	55	17	15	5	15.0		X		X	
6A	TB3-5,6	J2U	40	2	16	6			X		X	
8A	TB4-5,6	I5U	58	20	7	3	15.0		X		X	
				-	30	8	3.0		X		X	

INPUT FILE POSITION LEGEND: J2L



LOAD RESISTOR INSTALLATION DETAIL

(install resistors as shown)



ALL RED BACKUP PROGRAMMING

Front Panel
 Main Menu >Controller >Sequence & Phs Config>Backup Prevention > Backup Through Red

Web Interface
 Home >Controller >Backup Prevention >Backup Calls Phase Plans > (scroll down) to Backup Through Red

Backup Through All Red

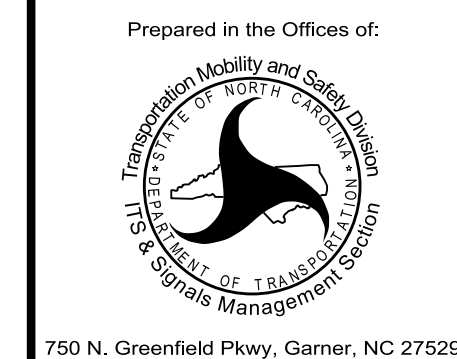
Sequence	Backup Through All Red
1	YES

This plan supersedes the plan signed and sealed on 8/11/2023.

THIS ELECTRICAL DETAIL IS FOR THE SIGNAL DESIGN: 10-0696T2
 DESIGNED: December 2023
 SEALED: 12/05/2023
 REVISED: N/A

Electrical Detail

Electrical and Programming Details For:



750 N. Greenfield Pkwy, Garner, NC 27529

SR 1357 (Potter Road)
 at
 SR 1364 (Pleasant Plains Road)

REVISIONS	INIT.	DATE

DOCUMENT NOT CONSIDERED FINAL UNLESS ALL SIGNATURES COMPLETED

DocuSigned by:
Ryan W. Hough
 12/06/2023
 SEAL 036833
 STATE OF NORTH CAROLINA
 PROFESSIONAL ENGINEER
 RYAN W. HOUGH

SIG. INVENTORY NO. 10-0696T2