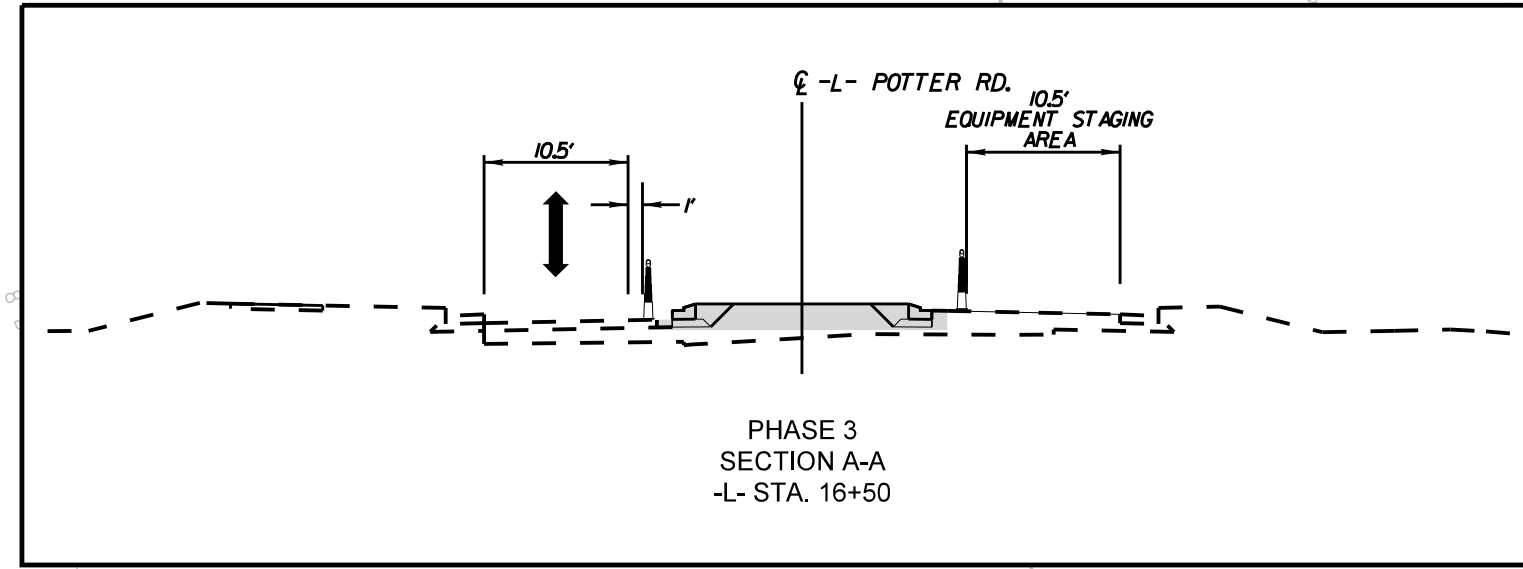
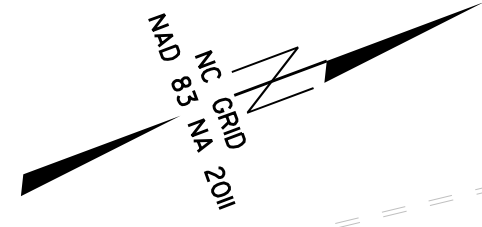
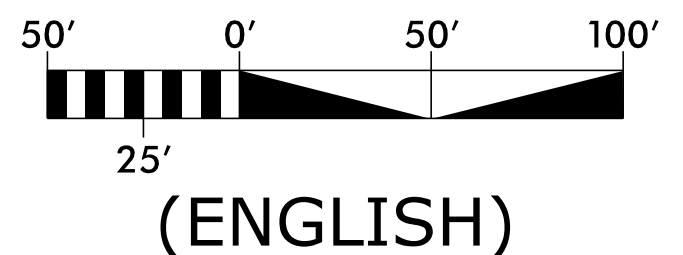


PHASE 3



UTILIZE LEFT-TURN LANE AS STAGING AREA TO BUILD MONOLITHIC AND GRASSED MEDIAN

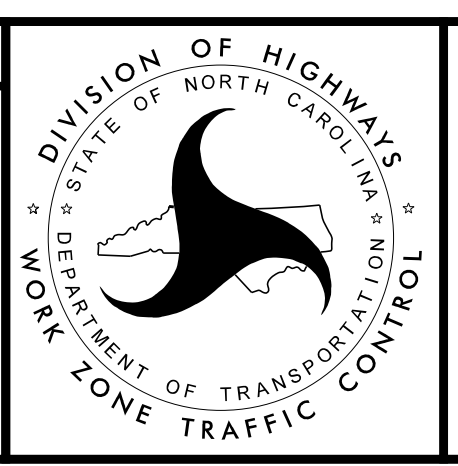
K:\CHL\_Plan\01036720 - U-5112 (P3) Intersection\Traffic\TrafficControl\TCP\Sheets\U-5112\_rdy\_imp\_7.dgn 1/30/2024



- PAVEMENT REMOVAL
- WEDGING
- WORK AREA

APPROVED: *Frank Masterson* DATE: 1/31/2024

SEAL



TRANSPORTATION MANAGEMENT PLAN