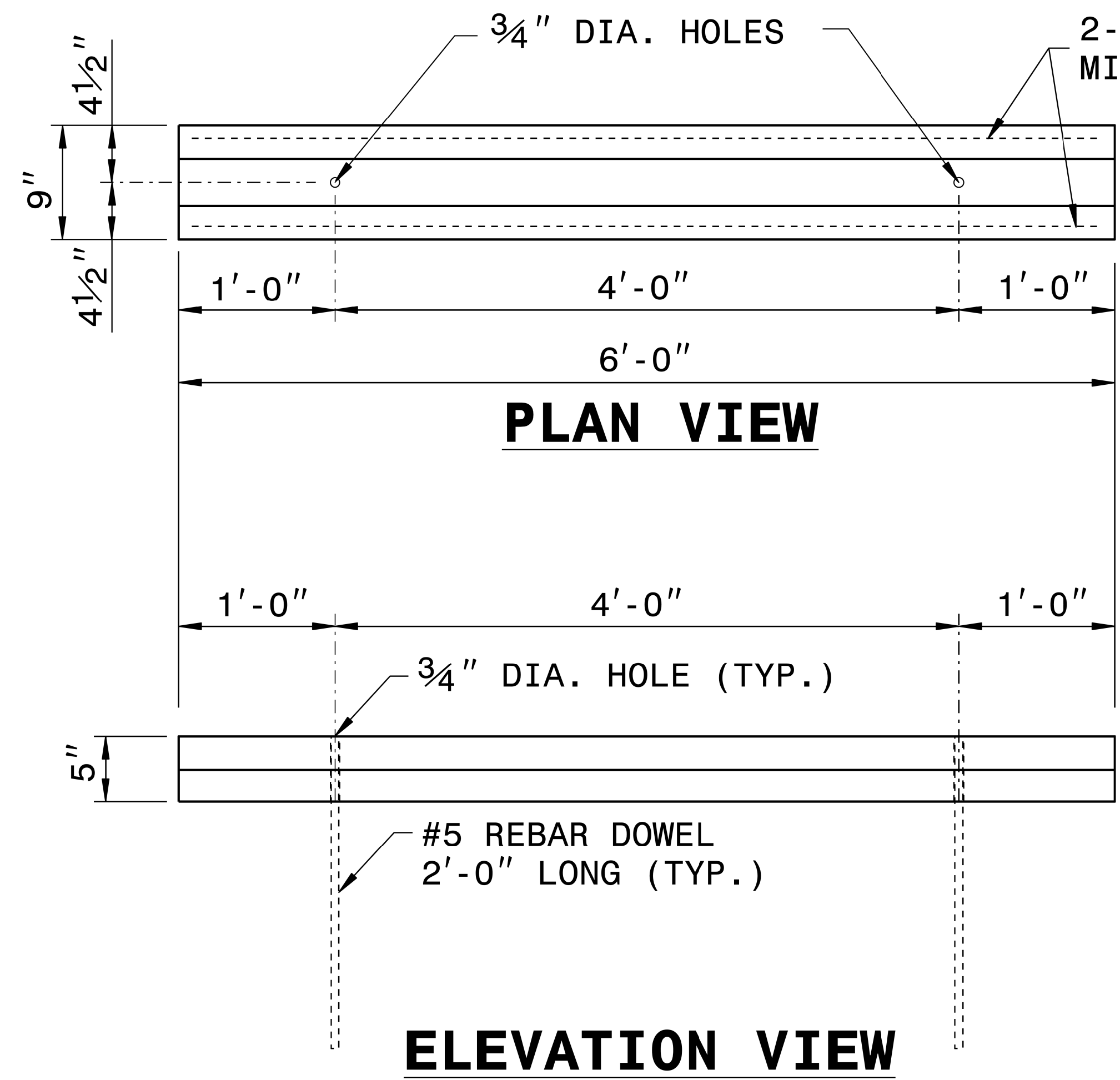


STATE OF
NORTH CAROLINA
DEPT. OF TRANSPORTATION
DIVISION OF HIGHWAYS
RALEIGH, N.C.

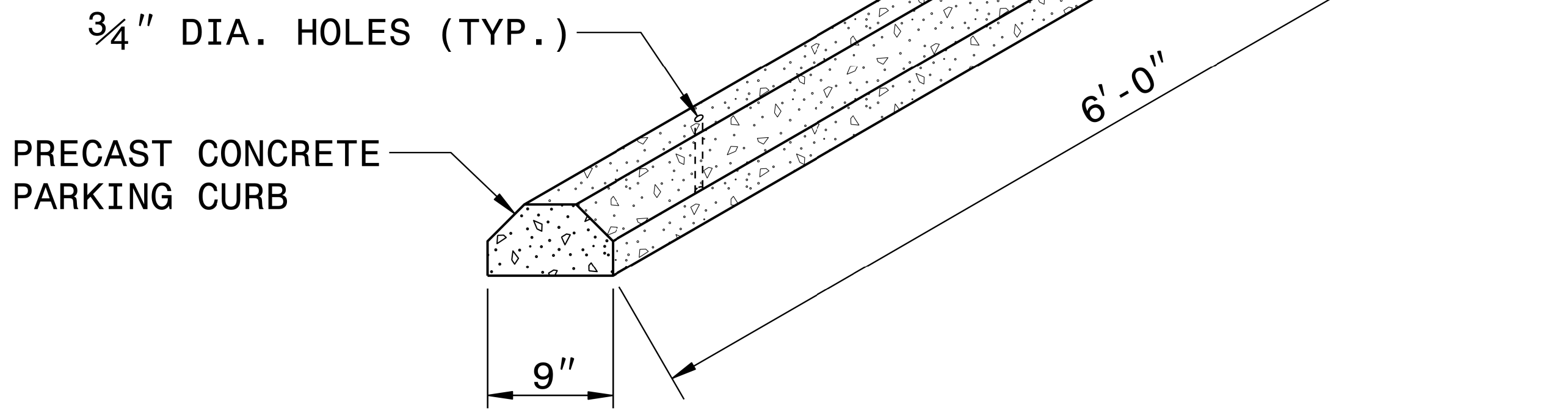
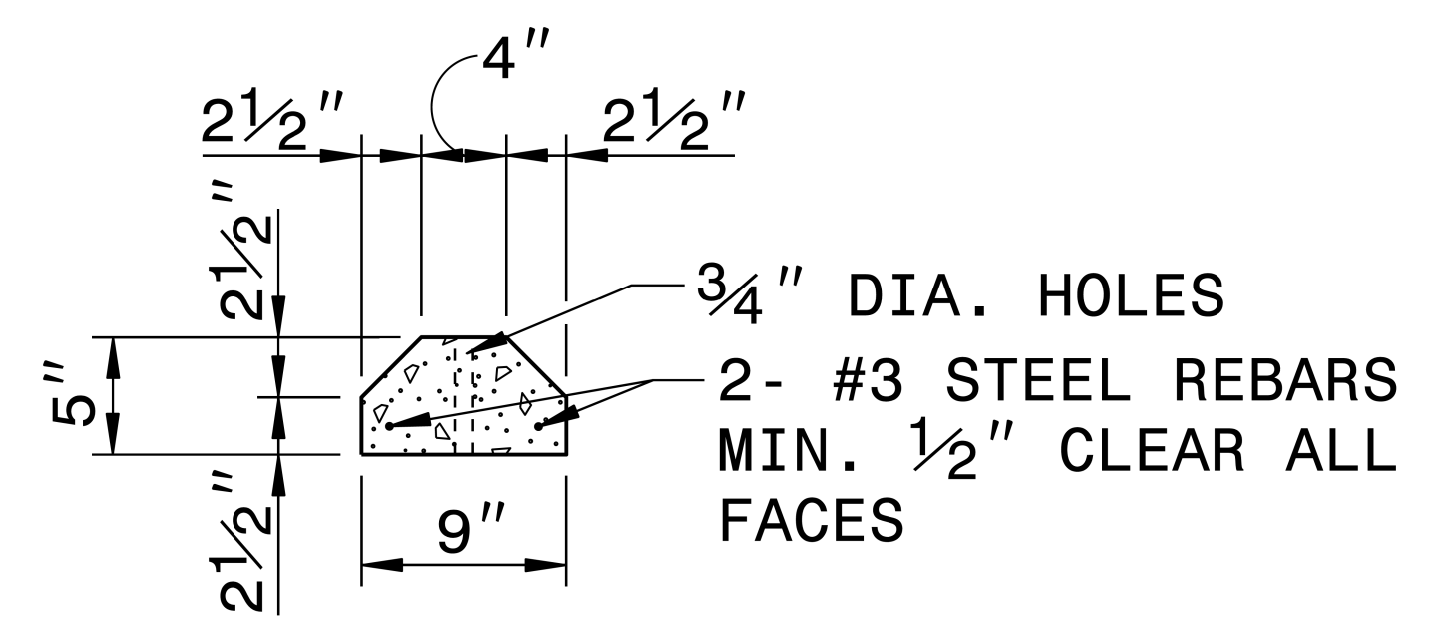
ENGLISH DETAIL DRAWING FOR
PRECAST CONCRETE PARKING CURB

SHEET 1 OF 1
PRCSTCRB



GENERAL NOTES:
- CONCRETE COMPRESSIVE STRENGTH
4000psi MIN.
- ASTM A615M - GRADE 400 REINFORCING
STEEL.

2- #3 STEEL REBARS
MIN. 1/2" CLEAR ALL FACES



PRECAST CONCRETE
PARKING CURB

STATE OF
NORTH CAROLINA
DEPT. OF TRANSPORTATION
DIVISION OF HIGHWAYS
RALEIGH, N.C.

ENGLISH DETAIL DRAWING FOR
PRECAST CONCRETE PARKING CURB

SHEET 1 OF 1
PRCSTCRB

30-NOV-2018 13:30
S:\Contracts\Contract\569001 Details\word\usr\details\stand\Precast Parking Curb.dgn
jlower-ton HT USD-2/25/15

DocuSigned by:
Nicole M. Hecker
5884323034164C5

**DOCUMENT NOT CONSIDERED FINAL
UNLESS ALL SIGNATURES COMPLETED**

CONTRACT STANDARDS
AND DEVELOPMENT UNIT
Office 919-707-6950 FAX 919-250-4119

SEE PLATE FOR TITLE

ORIGINAL BY: E.E. WARD DATE: 5-97
MODIFIED BY: DATE: _____
CHECKED BY: DATE: _____
FILE SPEC.: s:\eric\usr\details\metric\stand\prcstcrb_eng.dgn