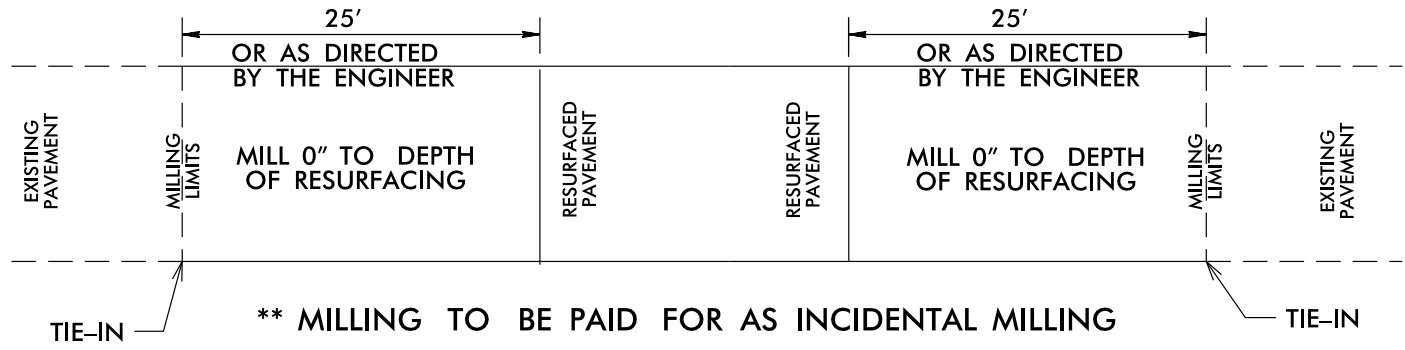
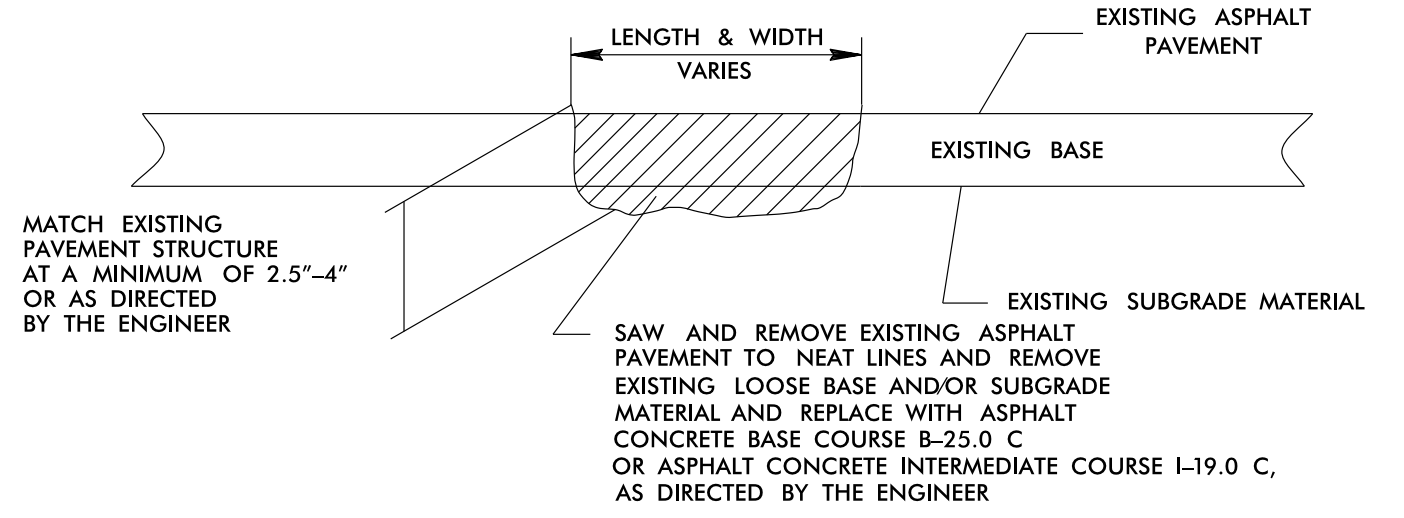


PAVEMENT TIE-IN DETAIL

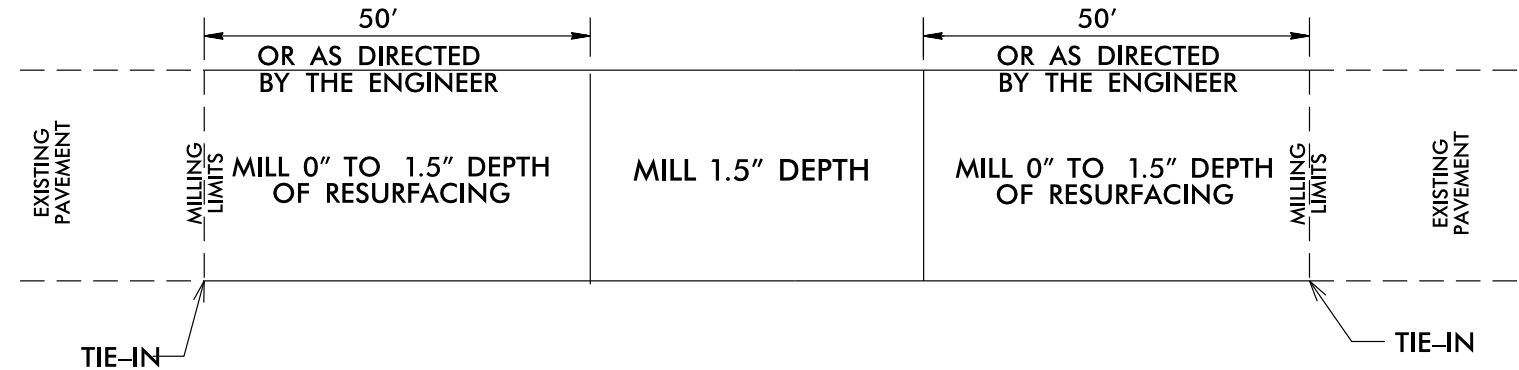


**** MILLING TO BE PAID FOR AS INCIDENTAL MILLING**

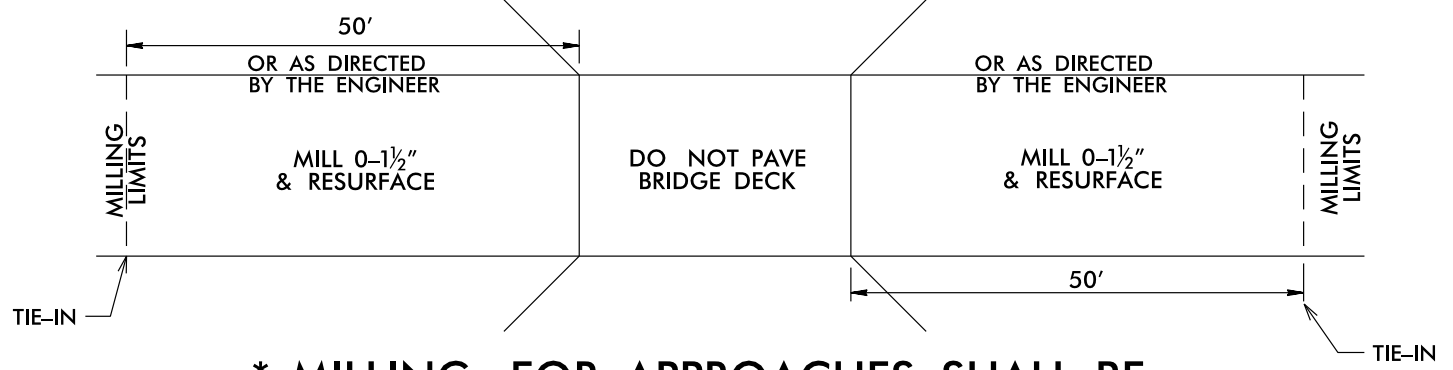
DETAILS OF PATCHING EXISTING PAVEMENT PRIOR TO RESURFACING



SAW AND REMOVE EXISTING ASPHALT PAVEMENT TO NEAT LINES AND REMOVE EXISTING LOOSE BASE AND/OR SUBGRADE MATERIAL AND REPLACE WITH ASPHALT CONCRETE BASE COURSE B-25.0 C OR ASPHALT CONCRETE INTERMEDIATE COURSE I-19.0 C, AS DIRECTED BY THE ENGINEER



*** MILLING SHALL BE PAID FOR UNDER INCIDENTAL MILLING**



*** MILLING FOR APPROACHES SHALL BE PAID FOR UNDER INCIDENTAL MILLING**

**BRIDGE DRAWING FOR
MAP #5 FORK CREEK MILL RD BRIDGE #384**

**BRIDGE DRAWING FOR
MAP #6 ERECT RD BRIDGE #190**

PROJECT NOTES

- ONE COAT OF PAINT MARKINGS TO BE APPLIED ON ALL MAPS. PERMANENT MARKINGS TO BE HANDLED ON A LATER PROJECT.