

DIVISION OF HIGHWAYS  
STATE OF NORTH CAROLINA

---



---

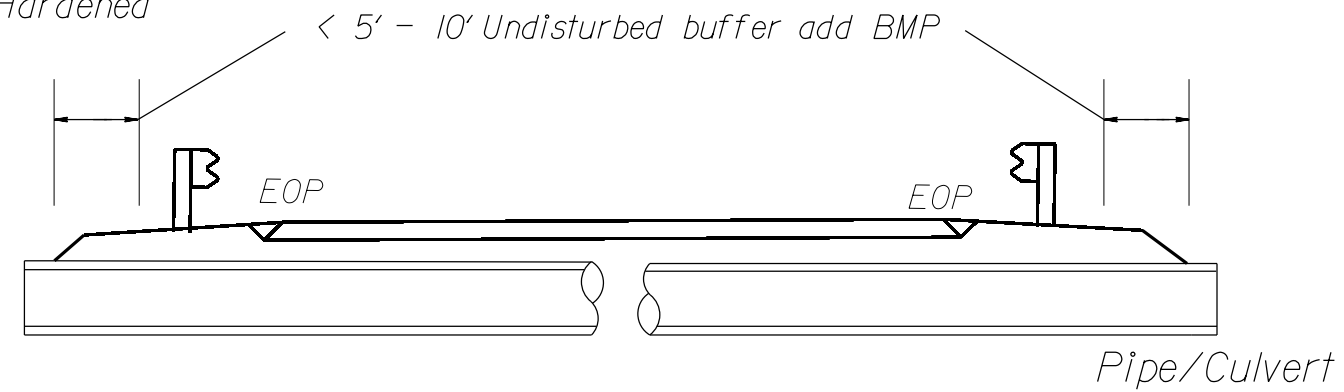
## ***SOIL STABILIZATION TIMEFRAMES***

<i>SITE DESCRIPTION</i>	<i>STABILIZATION TIME</i>	<i>TIMEFRAME EXCEPTIONS</i>
PERIMETER DIKES, SWALES, DITCHES AND SLOPES	7 DAYS	NONE
HIGH QUALITY WATER (HQW) ZONES	7 DAYS	NONE
SLOPES STEEPER THAN 3:1	7 DAYS	IF SLOPES ARE 10' OR LESS IN LENGTH AND ARE NOT STEEPER THAN 2:1, 14 DAYS ARE ALLOWED.
SLOPES 3:1 OR FLATTER	14 DAYS	7 DAYS FOR SLOPES GREATER THAN 50' IN LENGTH.
ALL OTHER AREAS WITH SLOPES FLATTER THAN 4:1	14 DAYS	NONE, EXCEPT FOR PERIMETERS AND HQW ZONES.

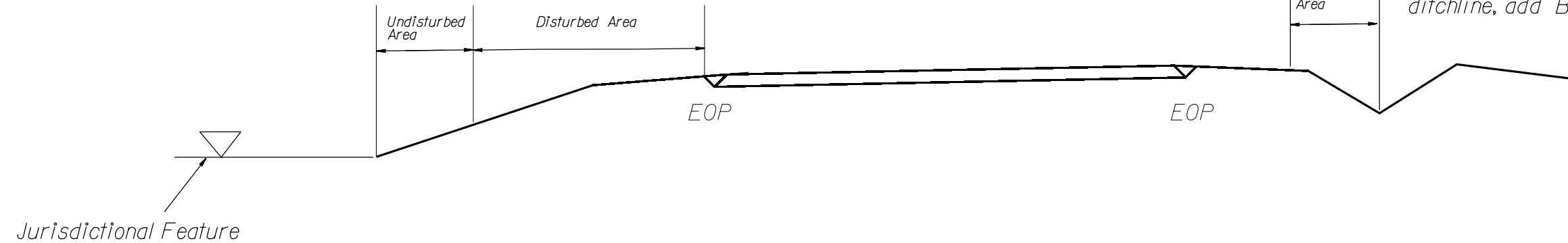
NOTES: Less than 5' - 10' undisturbed buffer from ROW, ditchline, water feature, or drainage inlet, add BMP.

BMP Options: Wattle, Silt Fence or Hardened Aggregate.

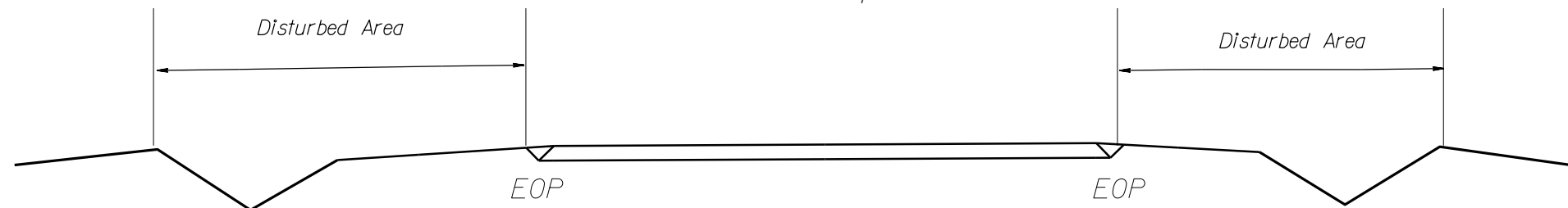
# EROSION CONTROL DETAIL



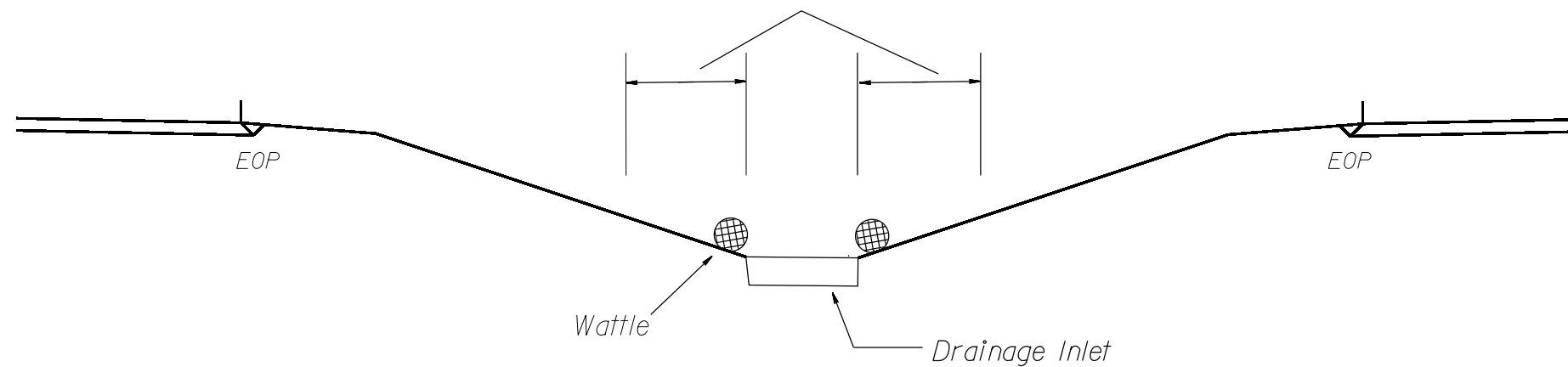
< 5' - 10' Undisturbed buffer from jurisdictional feature add BMP



Use BMP's if shoulders and/or frontslopes and/or ditchline and/or backslopes are disturbed

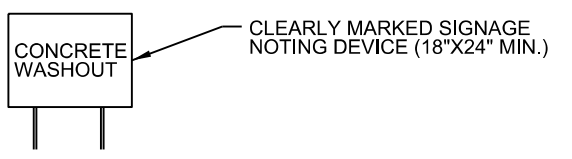
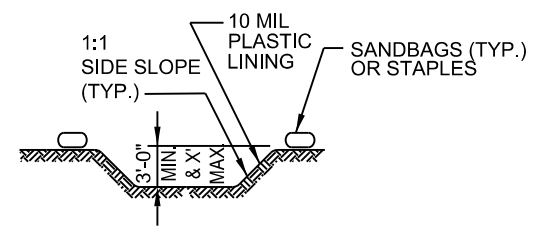
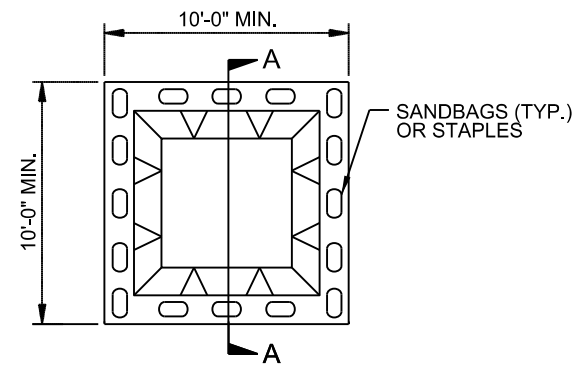


< 5' - 10' Undisturbed buffer from inlet, add wattle



NOT TO SCALE

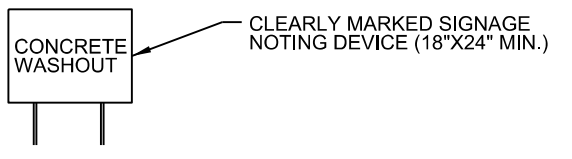
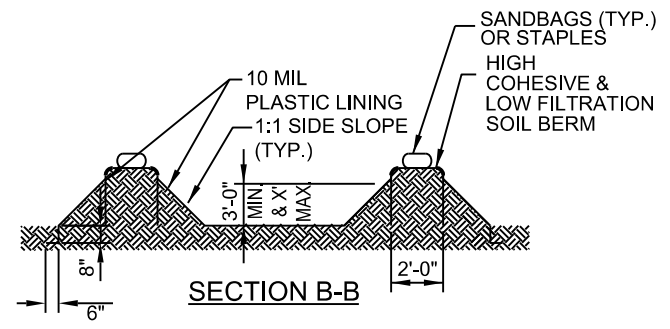
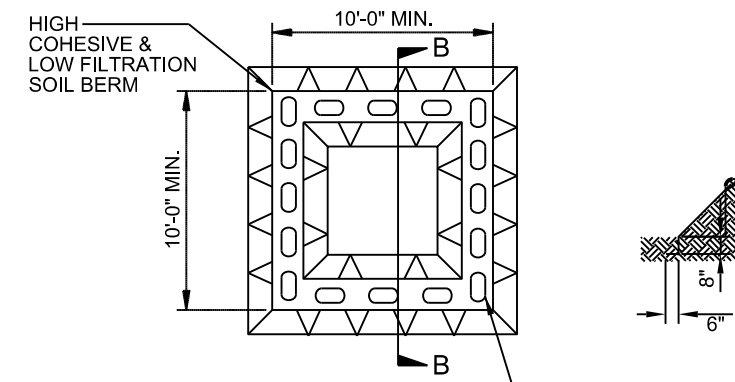
## ONSITE CONCRETE WASHOUT STRUCTURE WITH LINER



- SECTION A-A**
- NOTES:**
1. ACTUAL LOCATION DETERMINED IN FIELD
  2. THE CONCRETE WASHOUT STRUCTURES SHALL BE MAINTAINED WHEN THE LIQUID AND/OR SOLID REACHES 75% OF THE STRUCTURES CAPACITY.
  3. CONCRETE WASHOUT STRUCTURE NEEDS TO BE CLEARLY MARKED WITH SIGNAGE NOTING DEVICE.

**PLAN**

### BELOW GRADE WASHOUT STRUCTURE NOT TO SCALE



- SECTION B-B**
- NOTES:**
1. ACTUAL LOCATION DETERMINED IN FIELD
  2. THE CONCRETE WASHOUT STRUCTURES SHALL BE MAINTAINED WHEN THE LIQUID AND/OR SOLID REACHES 75% OF THE STRUCTURES CAPACITY TO PROVIDE ADEQUATE HOLDING CAPACITY WITH A MINIMUM 12 INCHES OF FREEBOARD.
  3. CONCRETE WASHOUT STRUCTURE NEEDS TO BE CLEARLY MARKED WITH SIGNAGE NOTING DEVICE.

**PLAN**

### ABOVE GRADE WASHOUT STRUCTURE NOT TO SCALE