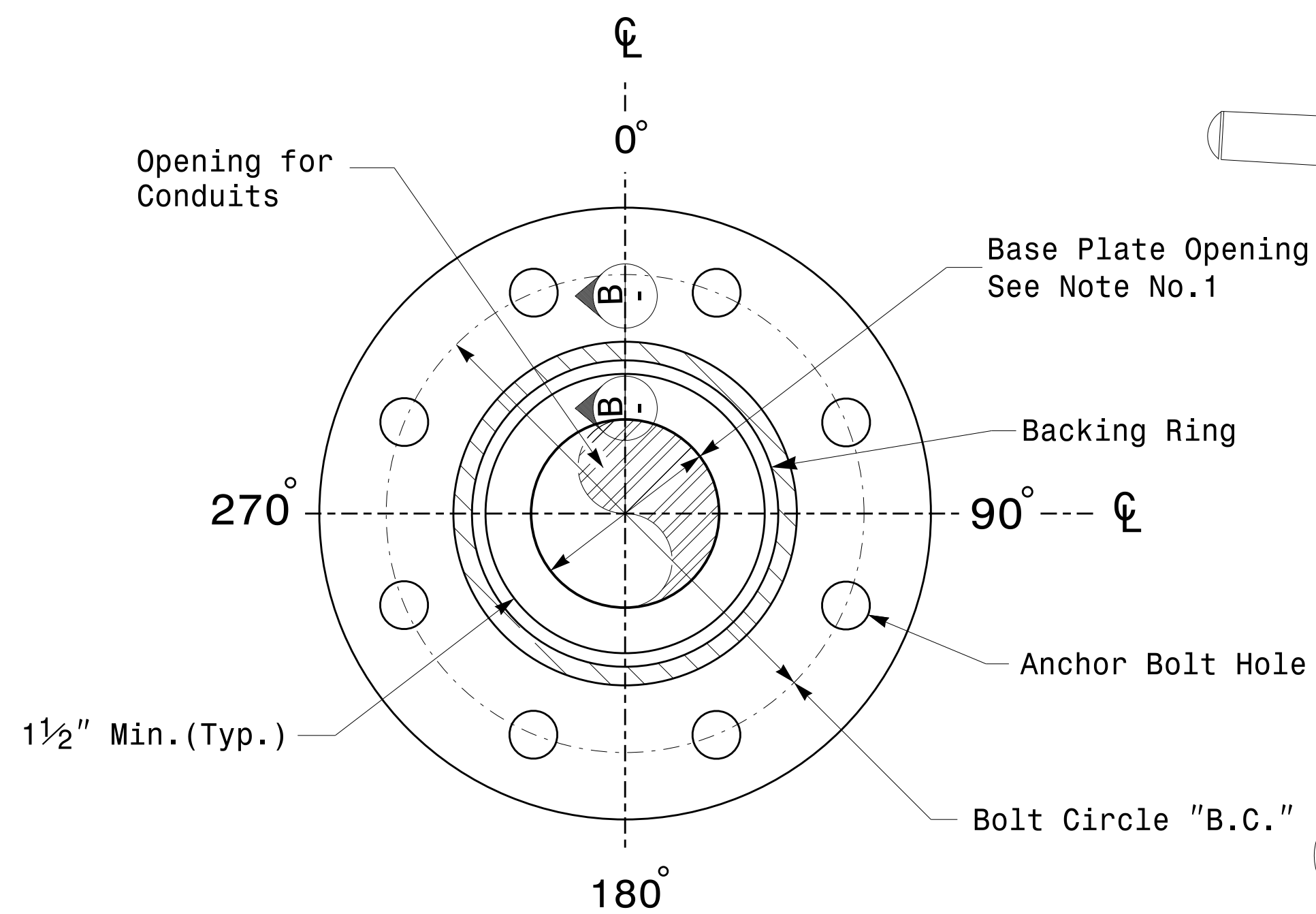
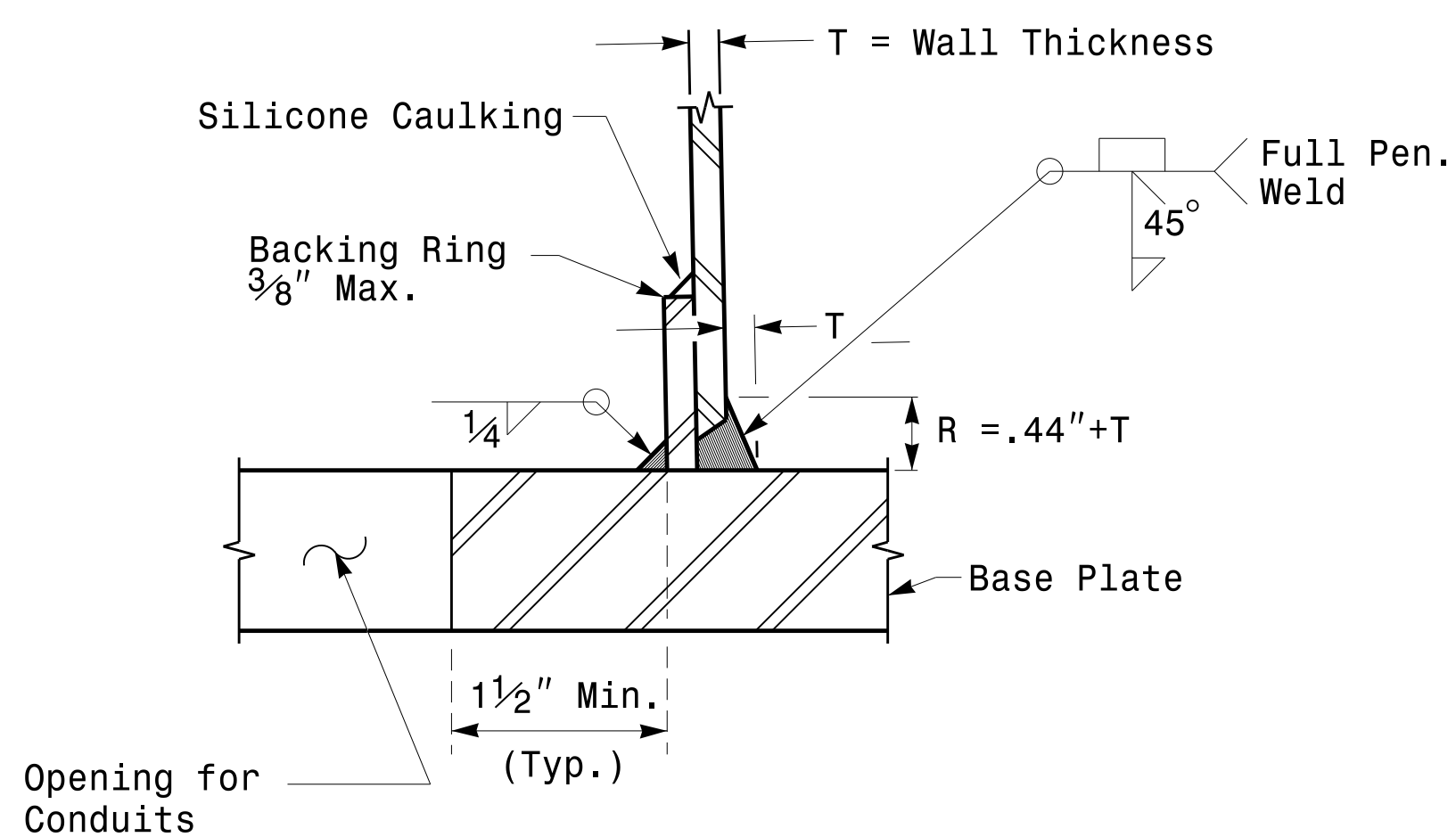


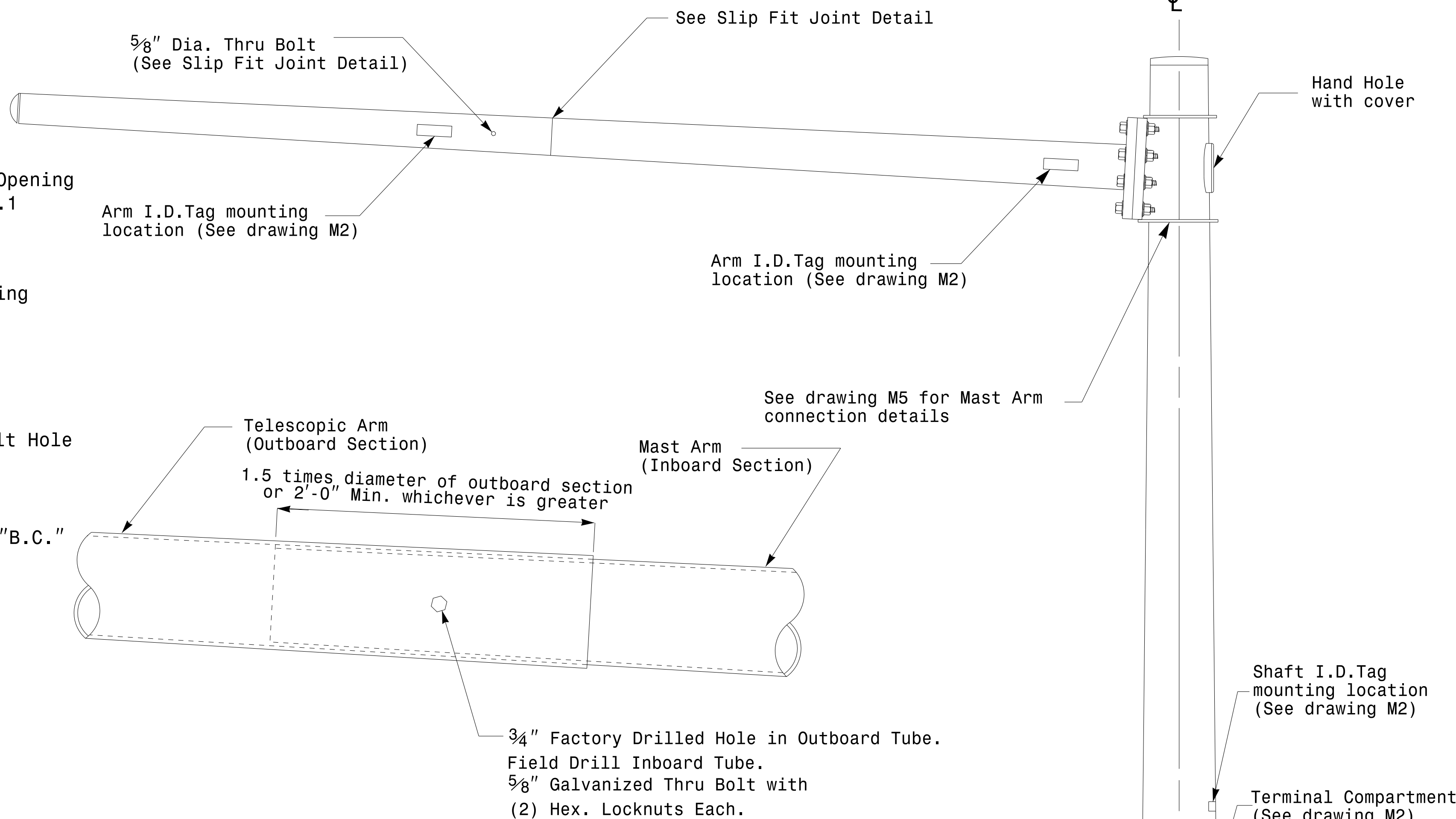
Note:
 1. Opening in pole base plate shall be equal to pole base inside diameter minus 3 1/2" but shall not be less than 8 1/2".



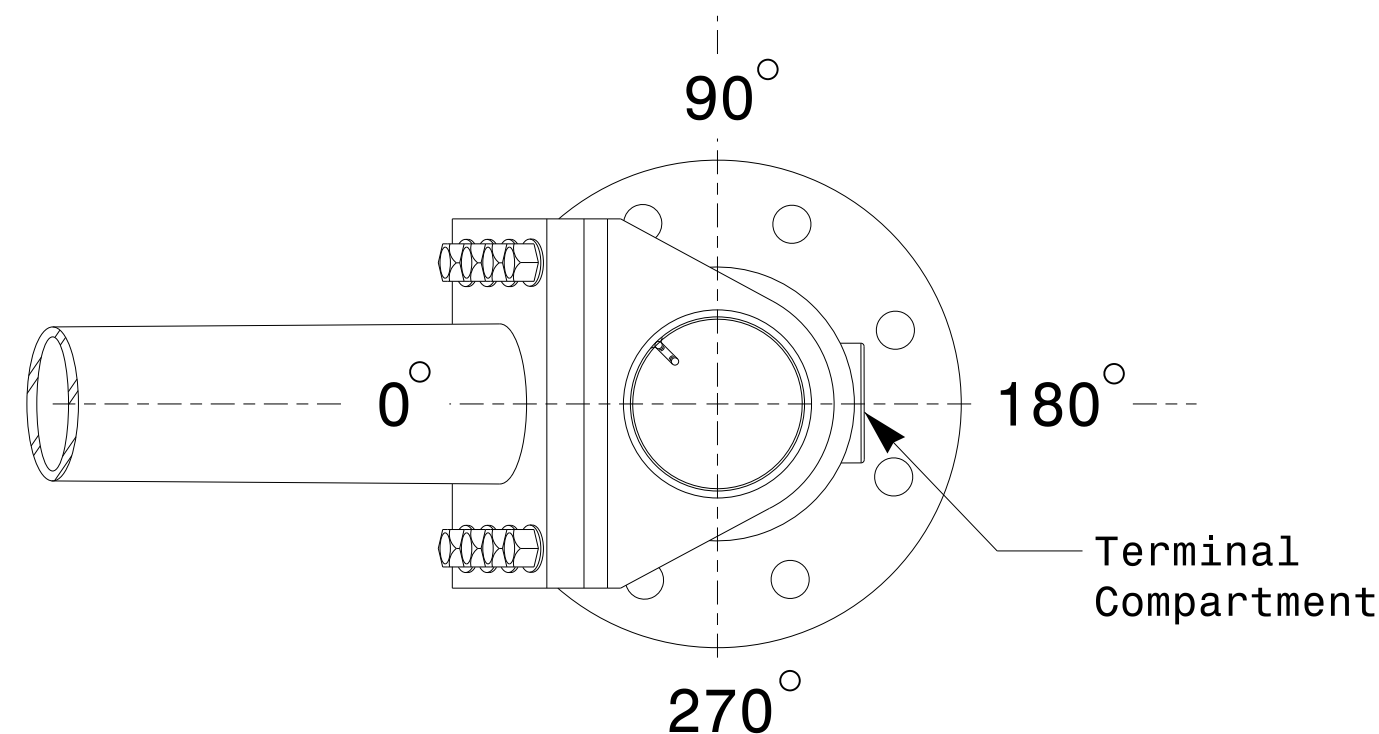
Section A-A
Pole Base Plate Details



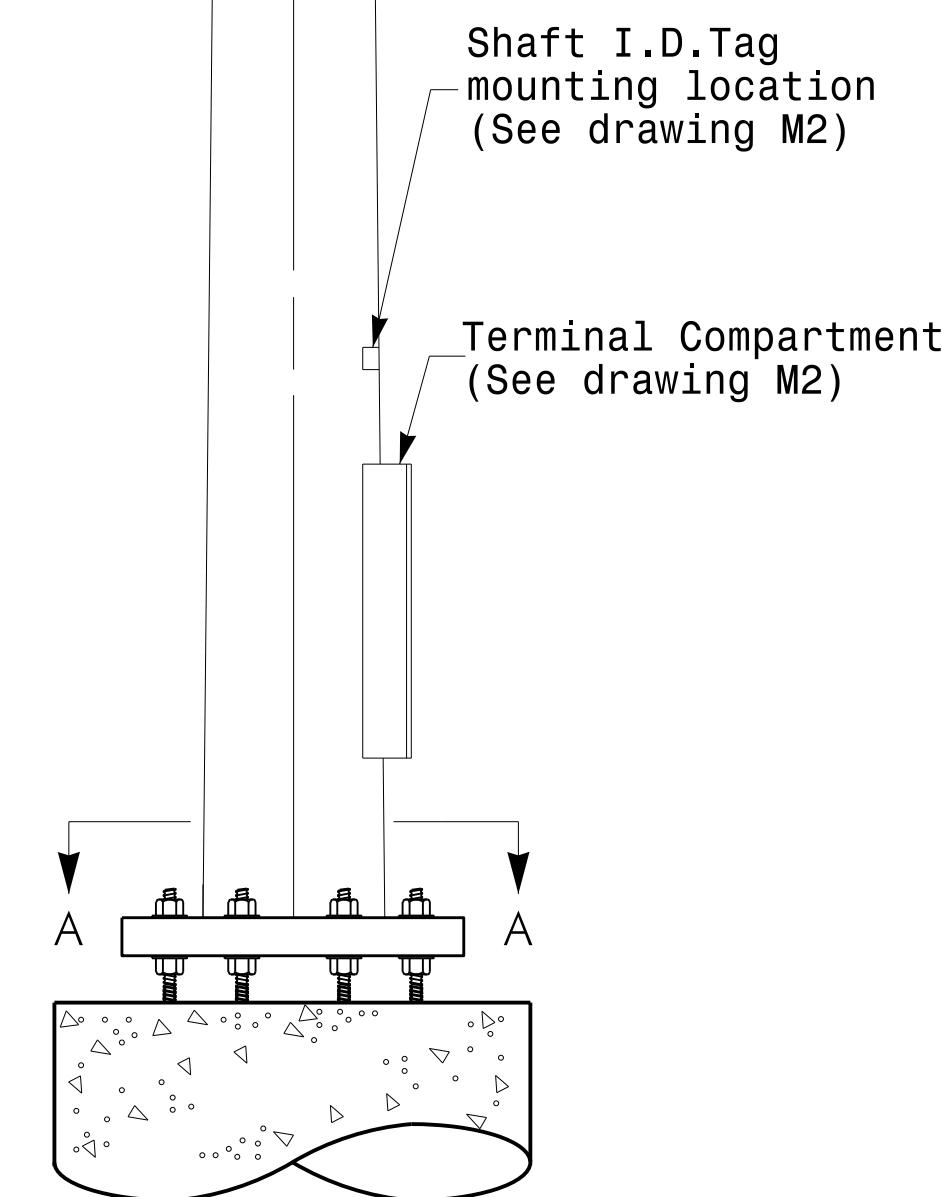
Section B-B
 (Pole Attachment to Base Plate)
Full-Penetration Groove Weld Detail



Slip Fit Joint Detail for Mast Arm



Mast Arm Radial Orientation



Mast Arm Pole

Prepared in the Offices of: 750 N. Greenfield Pkwy, Garner, NC 27529	Typical Fabrication Details For Mast Arm Poles		SEAL D. C. SARKAR
	PLAN DATE: OCTOBER 2017 PREPARED BY: N. BITTING	DESIGNED BY: K.C. DURIGON REVIEWED BY: D.C. SARKAR	
SCALE 0 NA NONE	DocuSigned by: Dinesh C. Sarkar 10/11/2017 DATE		

11-OCT-2017 08:33
 P:\S604115\Sig.M4\15-Sig.M4-Std-Fabrication Detail-Mast Arm Poles.dgn
 P:\S604115\Sig.M4\15-Sig.M4-Std-Fabrication Detail-Mast Arm Poles.dgn

Fabrication Details - Mast Arm Poles