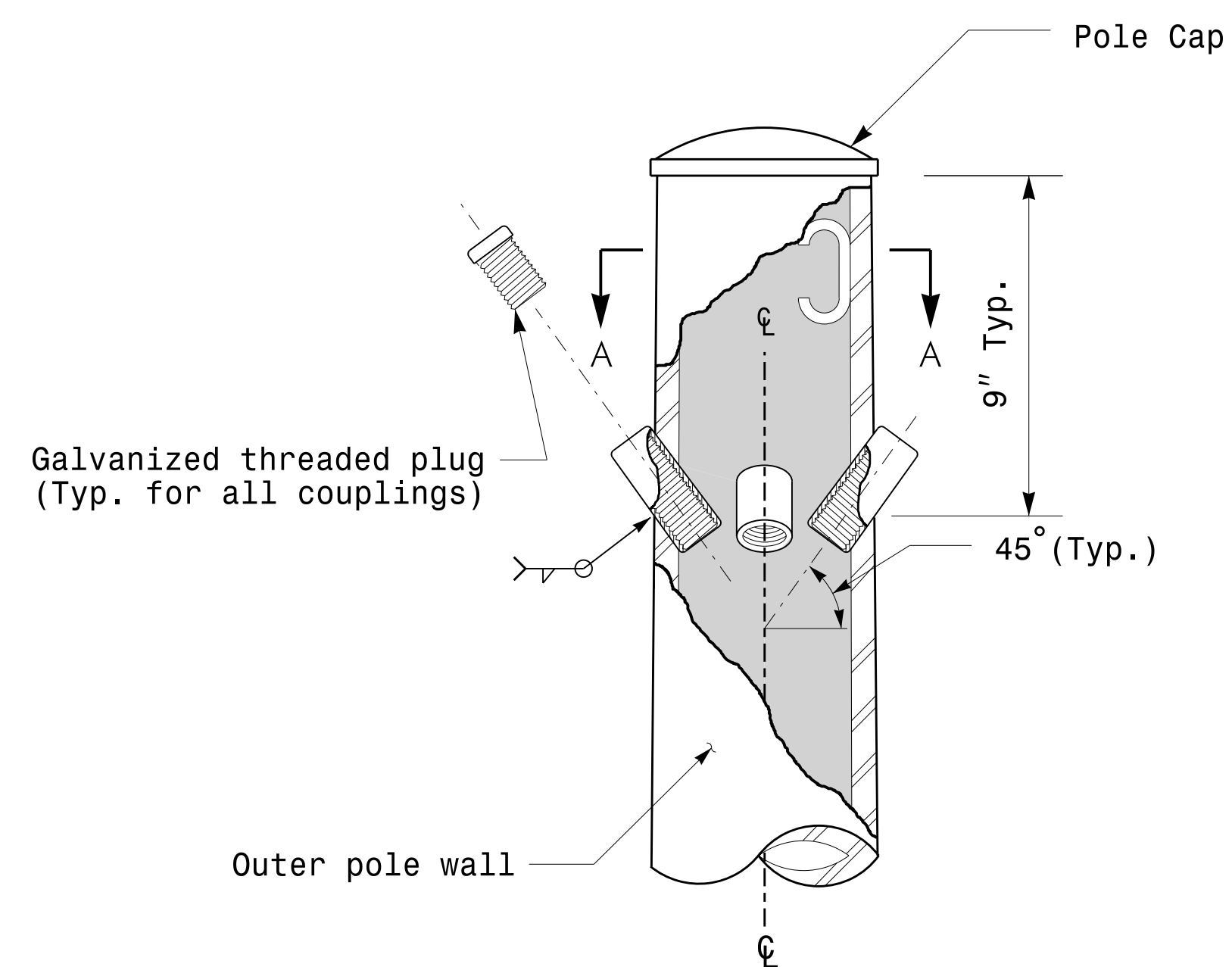
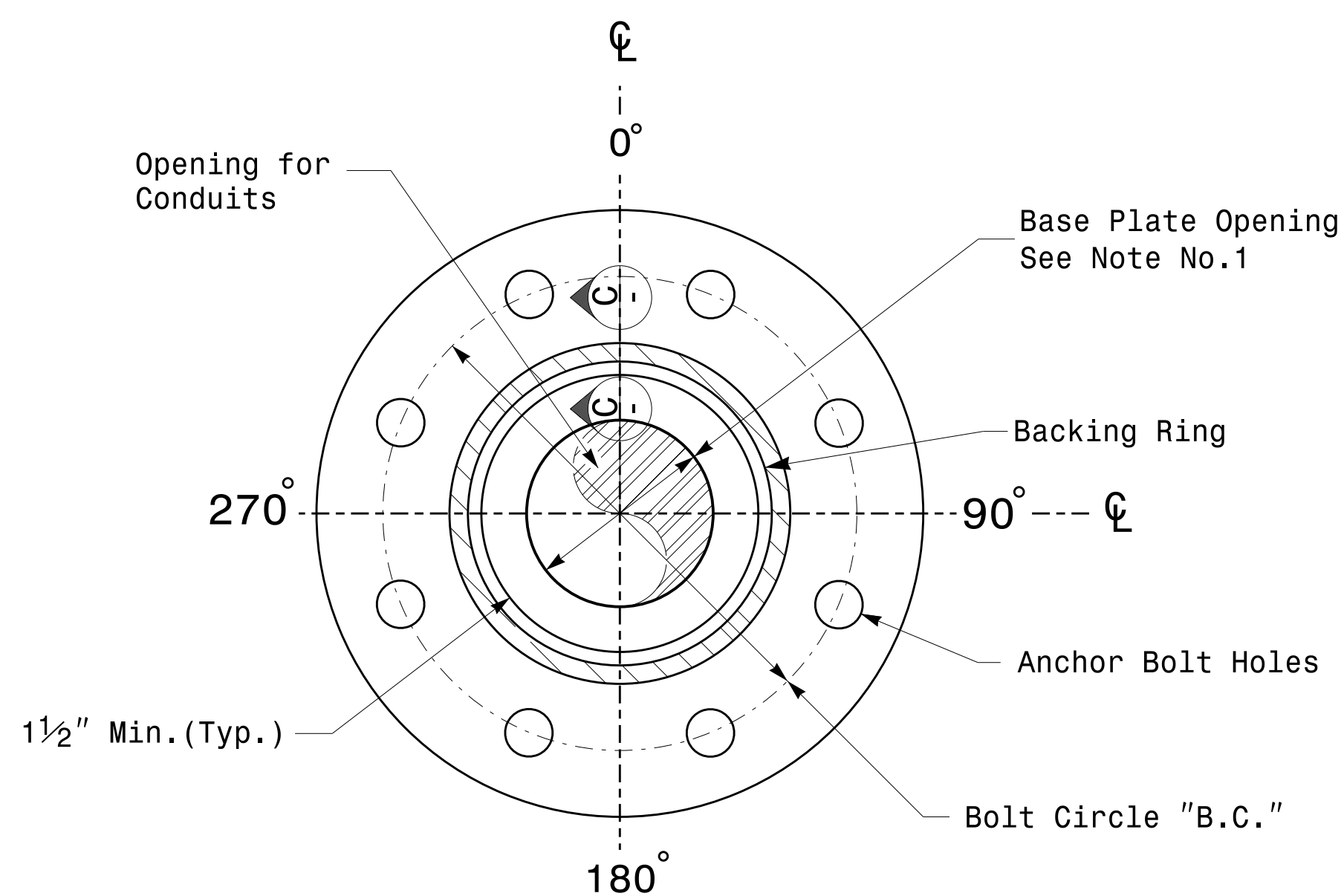


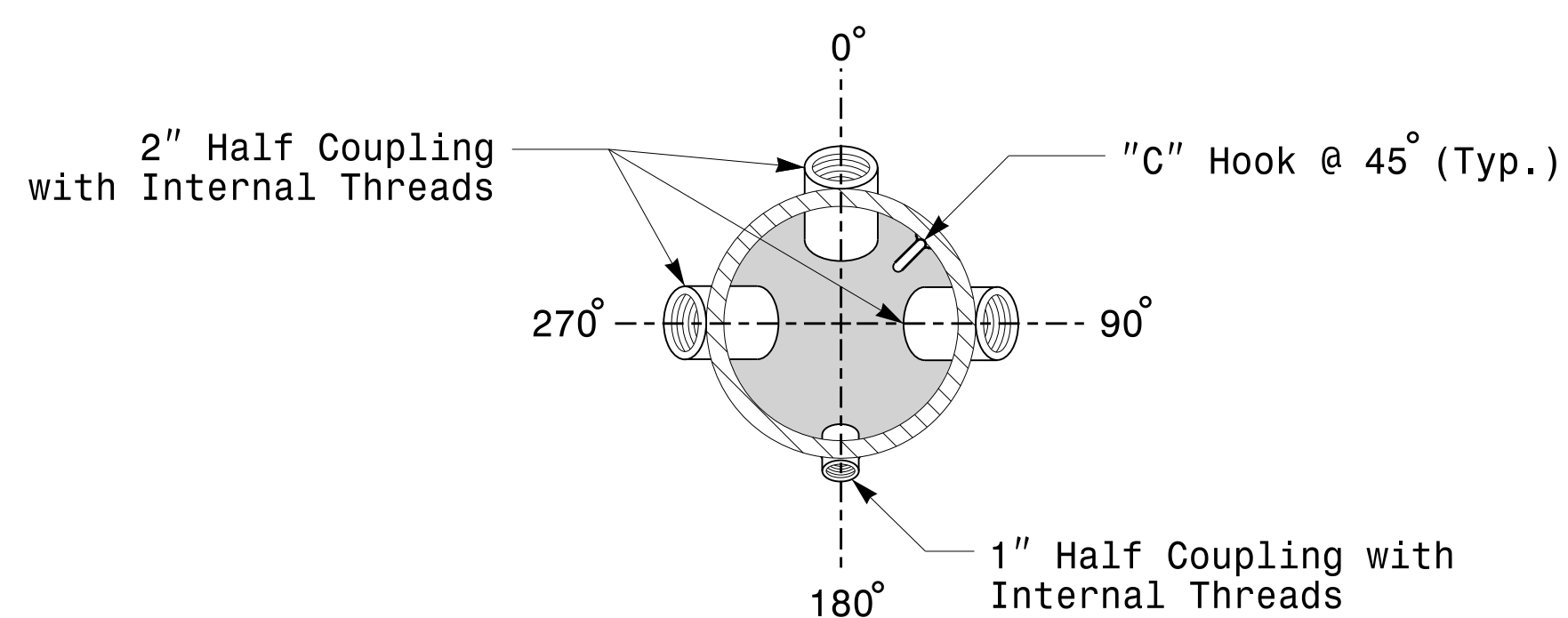
Note:
 1. Opening in pole base plate shall be equal to pole base inside diameter minus 3 1/2" but shall not be less than 8 1/2".



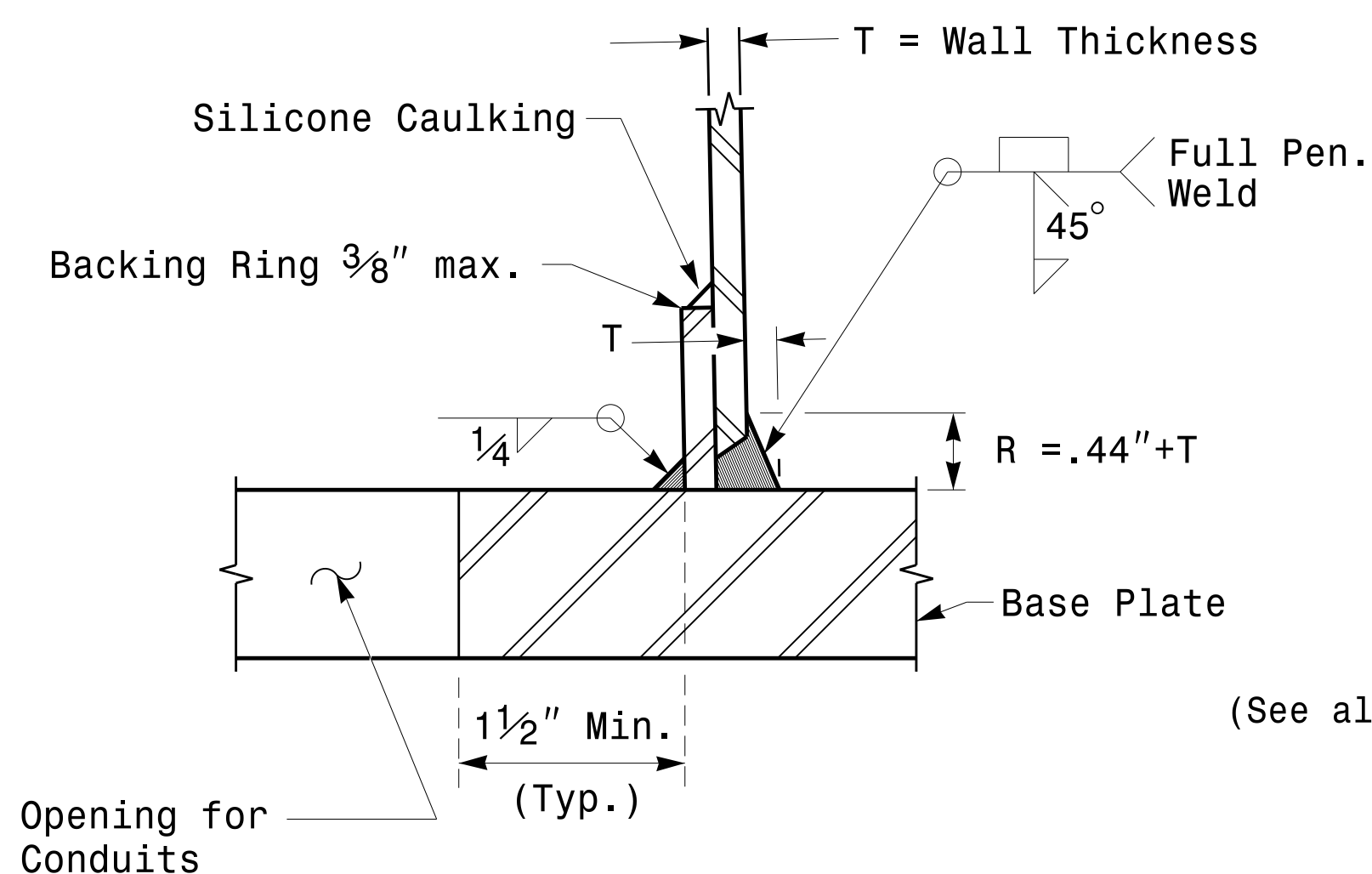
Cable Entrances at Top of Pole



Section B-B Pole Base Plate Details (8 and 12 Bolt Pattern)

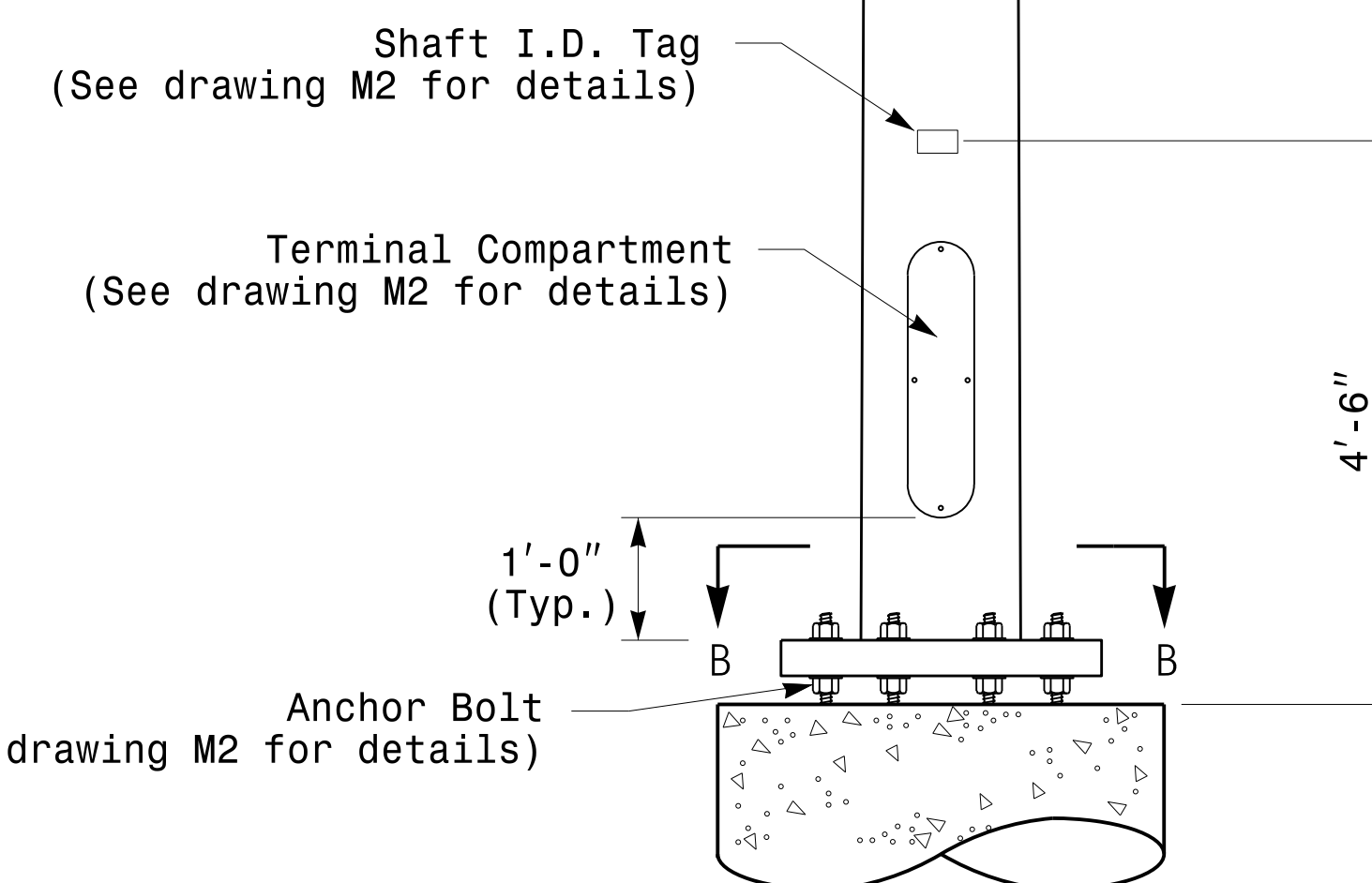


Section A-A Radial Orientation for Factory Installed Accessories at Top of Pole



Section C-C Full-Penetration Groove Weld Detail (Pole Attachment to Base Plate)

2 Cable Clamps designed for variable attachment heights from 1'-6" to 5'-0" below the top of the pole.



Monotube Strain Pole

<p>750 N. Greenfield Pkwy, Garner, NC 27529</p>	<p>Typical Fabrication Details For Strain Poles</p>		
	<p>PLAN DATE: OCTOBER 2017</p>	<p>DESIGNED BY: K.C. DURIGON</p>	
<p>SCALE: NONE</p>	<p>PREPARED BY: N. BITTING</p>	<p>REVIEWED BY: D.C. SARKAR</p>	<p>DocuSigned by: Debesh C. Sarkar</p>
<p>SCALE: NONE</p>	<p>REVISIONS</p>	<p>INIT. DATE</p>	<p>10/11/2017</p>

Fabrication Details – Strain Poles