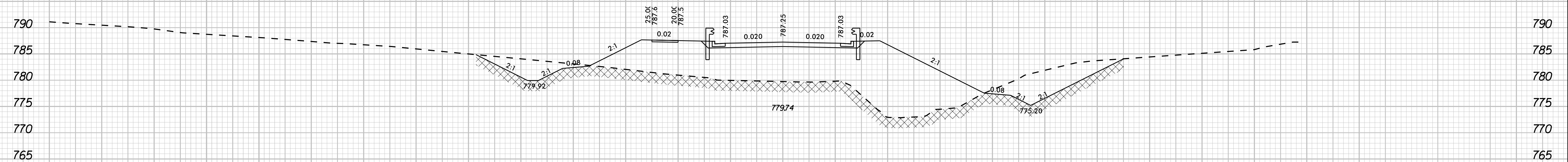
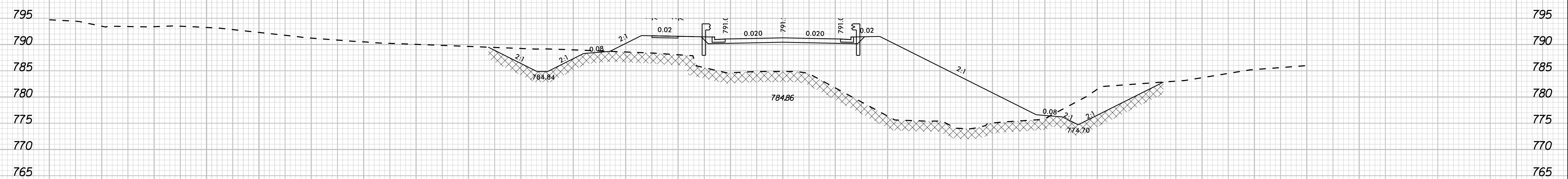


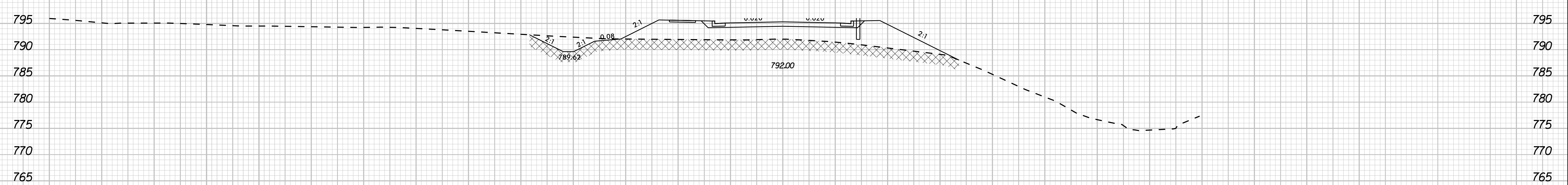
31 + 50.00



31 + 00.00



30 + 50.00



30 + 00.00

-LI- POTTS STREET

LEGEND  
 PROPOSED UNDERCUT FOR CONTAMINATED SOIL

