

K:\CHL\_PRJ\01036360\_U-5907\_Potts-Sloan\_ExtTrafficSigning\CADD\Pavement Marking Plans\U-5907\_rdy\_pmp\_11.dgn

9/7/2023


# Kimley»Horn

200 S. TRYON ST. • CHARLOTTE, NC 28202

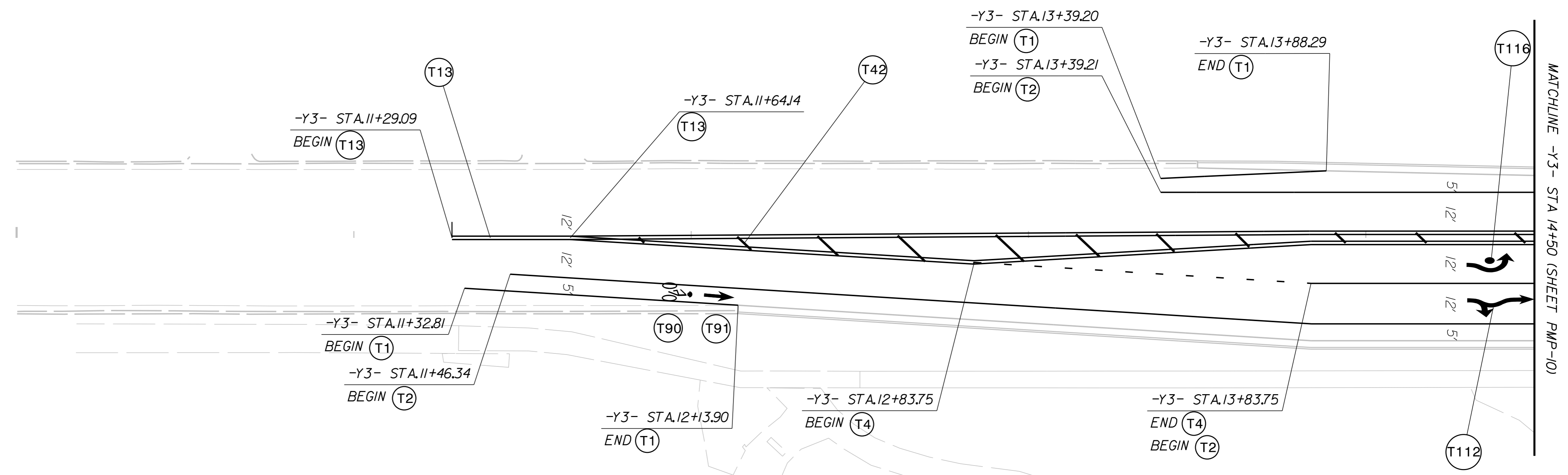
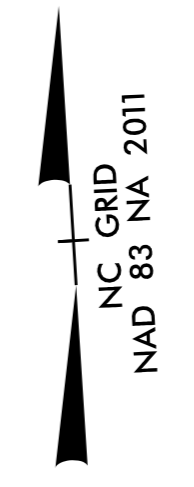
PROJECT REFERENCE NO.	SHEET NO.
U-5907	PMP-10

APPROVED:    
DESIGNED BY: Frank Masterson  
 60F82B06CFF1412  
 DATE: 10/25/2023

SEAL



**DOCUMENT NOT CONSIDERED FINAL  
UNLESS ALL SIGNATURES COMPLETED**



THERMOPLASTIC PAVEMENT MARKING LINES	
T1 - THERMOPLASTIC (4", 90 MILS)	WHITE EDGELINE
T2 - THERMOPLASTIC (4", 90 MILS)	WHITE SOLID LANE LINE
T4 - THERMOPLASTIC (4", 90 MILS)	3 FT. - 9 FT./SP WHITE MINISKIP
T10 - THERMOPLASTIC (4", 90 MIL)	YELLOW EDGELINE
T13 - THERMOPLASTIC (4", 90 MILS)	YELLOW DOUBLE CENTER LINE
T40 - THERMOPLASTIC (8", 90 MILS)	WHITE GORELINE
T42 - THERMOPLASTIC (8", 90 MILS)	WHITE DIAGONAL
T45 - THERMOPLASTIC (8", 90 MILS)	YELLOW DIAGONAL
T61 - THERMOPLASTIC (24", 90 MILS)	3 FT. - 3 FT./SP WHITE MINISKIP
T62 - THERMOPLASTIC (24" 90 MILS)	WHITE STOPBAR
	WHITE CROSSWALK LINE

THERMOPLASTIC PAVEMENT MARKING SYMBOLS	
T70 - THERMOPLASTIC (90 MILS)	LEFT TURN ARROW
T72 - THERMOPLASTIC (90 MILS)	STRAIGHT ARROW
T73 - THERMOPLASTIC (90 MILS)	COMBO. LEFT/STRAIGHT ARROW
T90 - THERMOPLASTIC (90 MILS)	BICYCLE SYMBOL
T91 - THERMOPLASTIC (90 MILS)	BICYCLE STRAIGHT ARROW
T100 - THERMOPLASTIC (90 MILS)	ALPHANUMERIC CHAR.
T103 - THERMOPLASTIC (90 MILS)	24" YIELD LINE TRIANGLE
T112 - THERMOPLASTIC (90 MILS)	FISH-HOOK RIGHT/STRAIGHT ARROW
T114 - THERMOPLASTIC (90 MILS)	FISH-HOOK LEFT/RIGHT/STRAIGHT ARROW
T116 - THERMOPLASTIC (90 MILS)	FISH-HOOK W/CIRCLE LEFT ARROW
T117 - THERMOPLASTIC (90 MILS)	FISH-HOOK W/CIRCLE LEFT/STRAIGHT ARROW