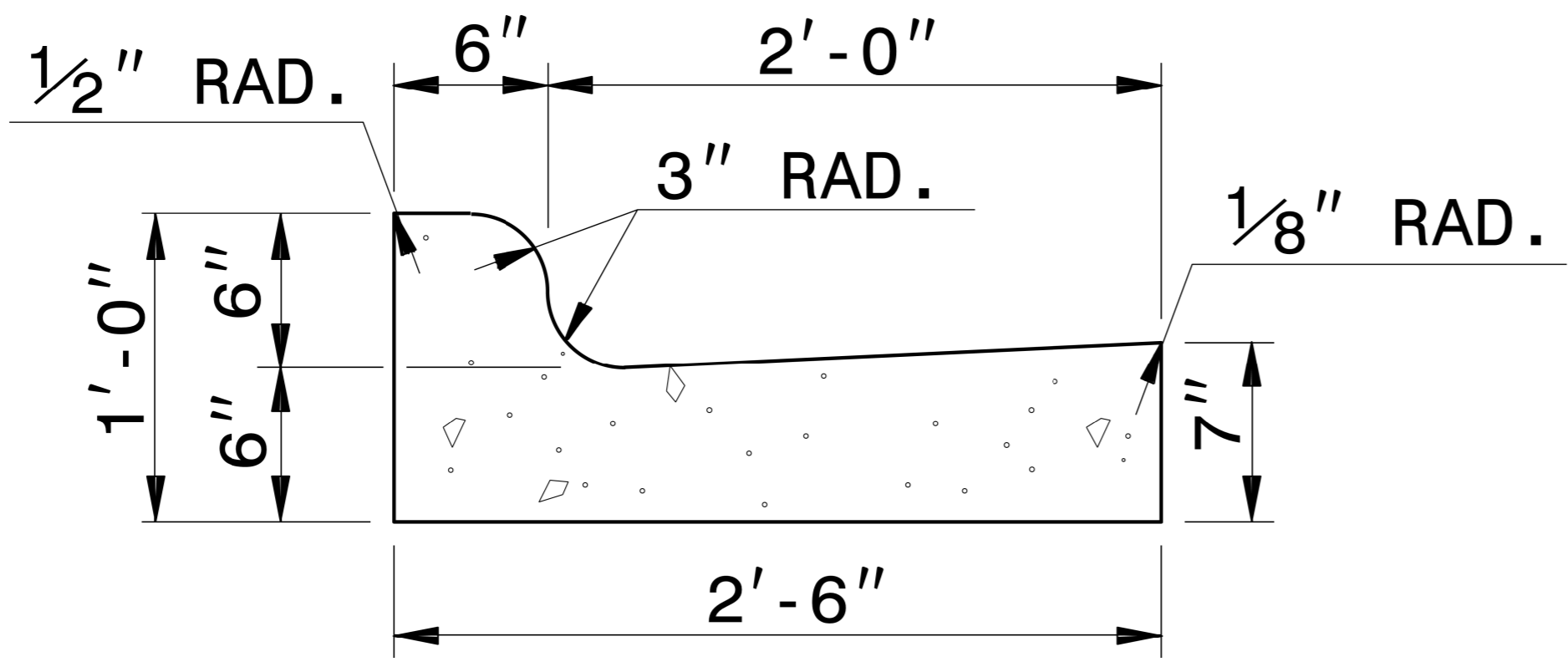
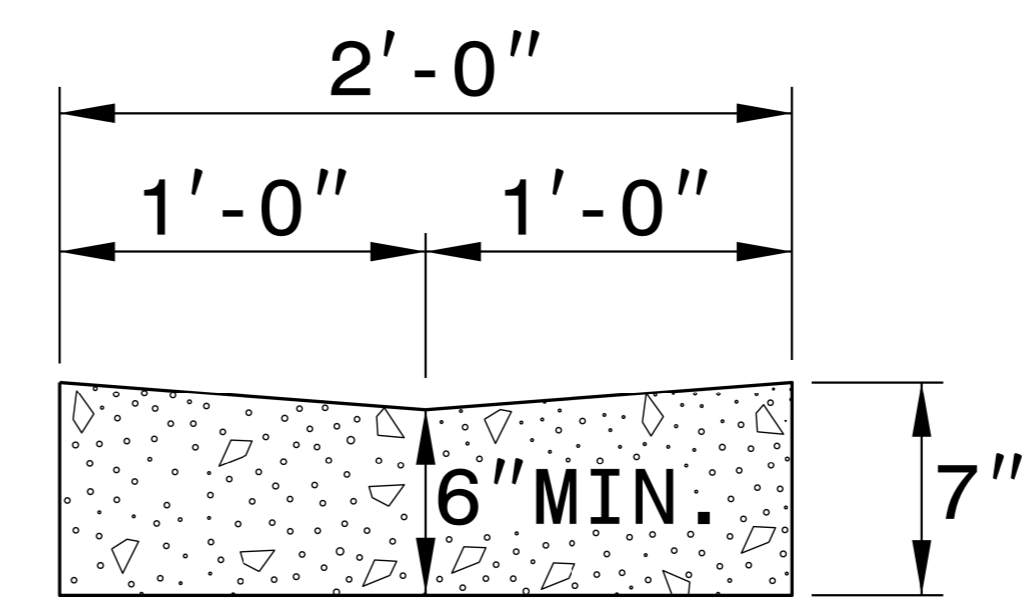


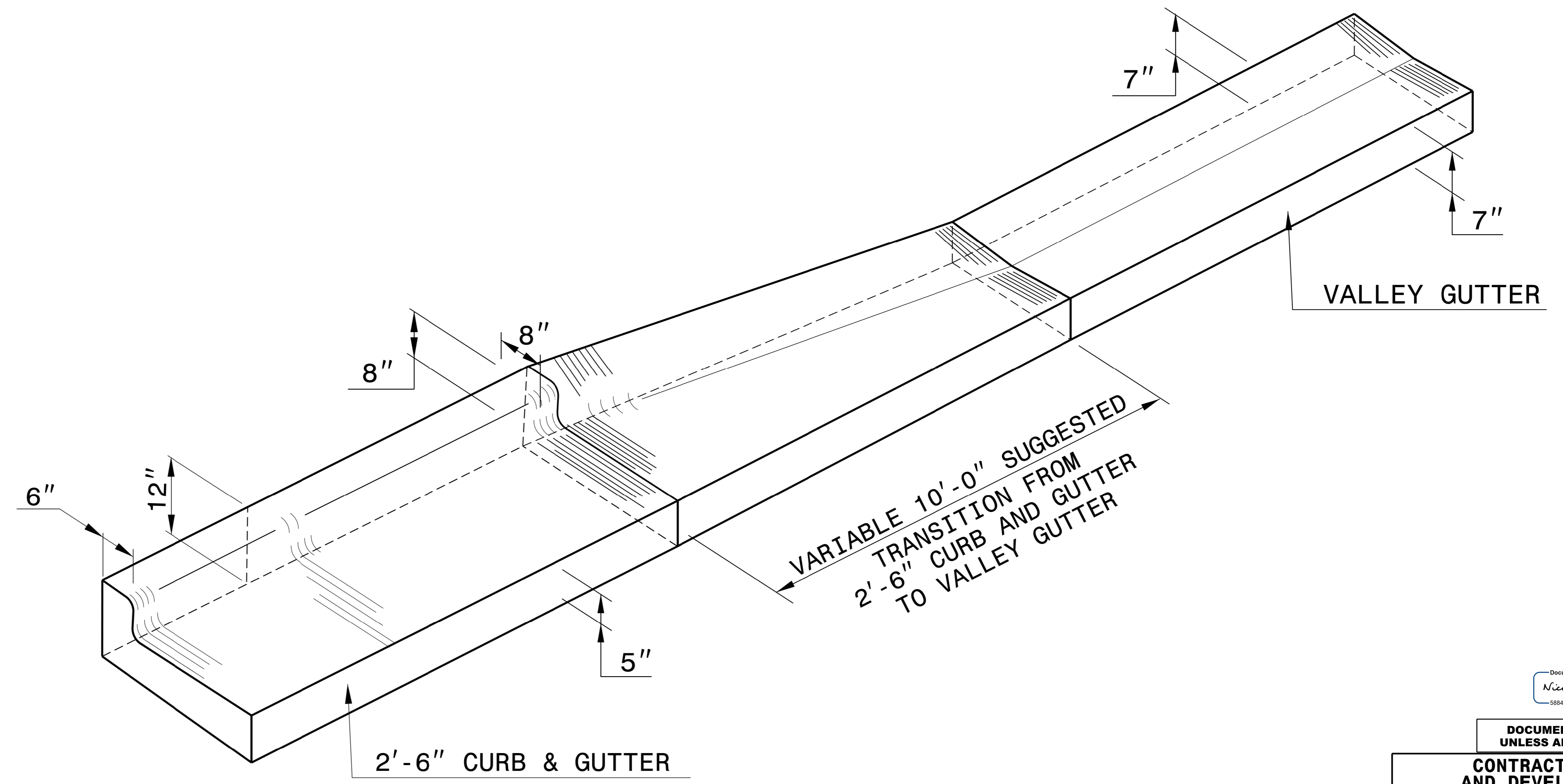
\*NOTE: SEE STD. DWG. 846.01 FOR GENERAL NOTES



**2'-6" CURB AND GUTTER**

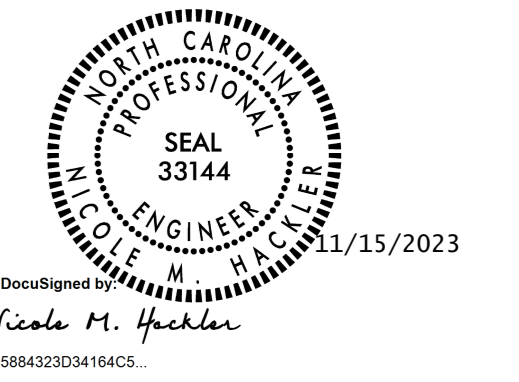


**VALLEY GUTTER**



**ISOMETRIC VIEW OF TRANSITION**

07-SEP-2017 08:20 S:\Contracts\Stand\stand\c&g transition sections.dgn jhower-ton



DOCUMENT NOT CONSIDERED FINAL UNLESS ALL SIGNATURES COMPLETED

**CONTRACT STANDARDS AND DEVELOPMENT UNIT**  
Office 919-707-6950 FAX 919-250-4119

**TRANSITION FROM 2'-6" CURB AND GUTTER TO VALLEY GUTTER**

ORIGINAL BY: T.S. SPELL DATE: FEB. 4, 2009  
 MODIFIED BY: DATE:  
 CHECKED BY: DATE:  
 FILE SPEC.: w:\usr\details\stand\cgtransit.dgn