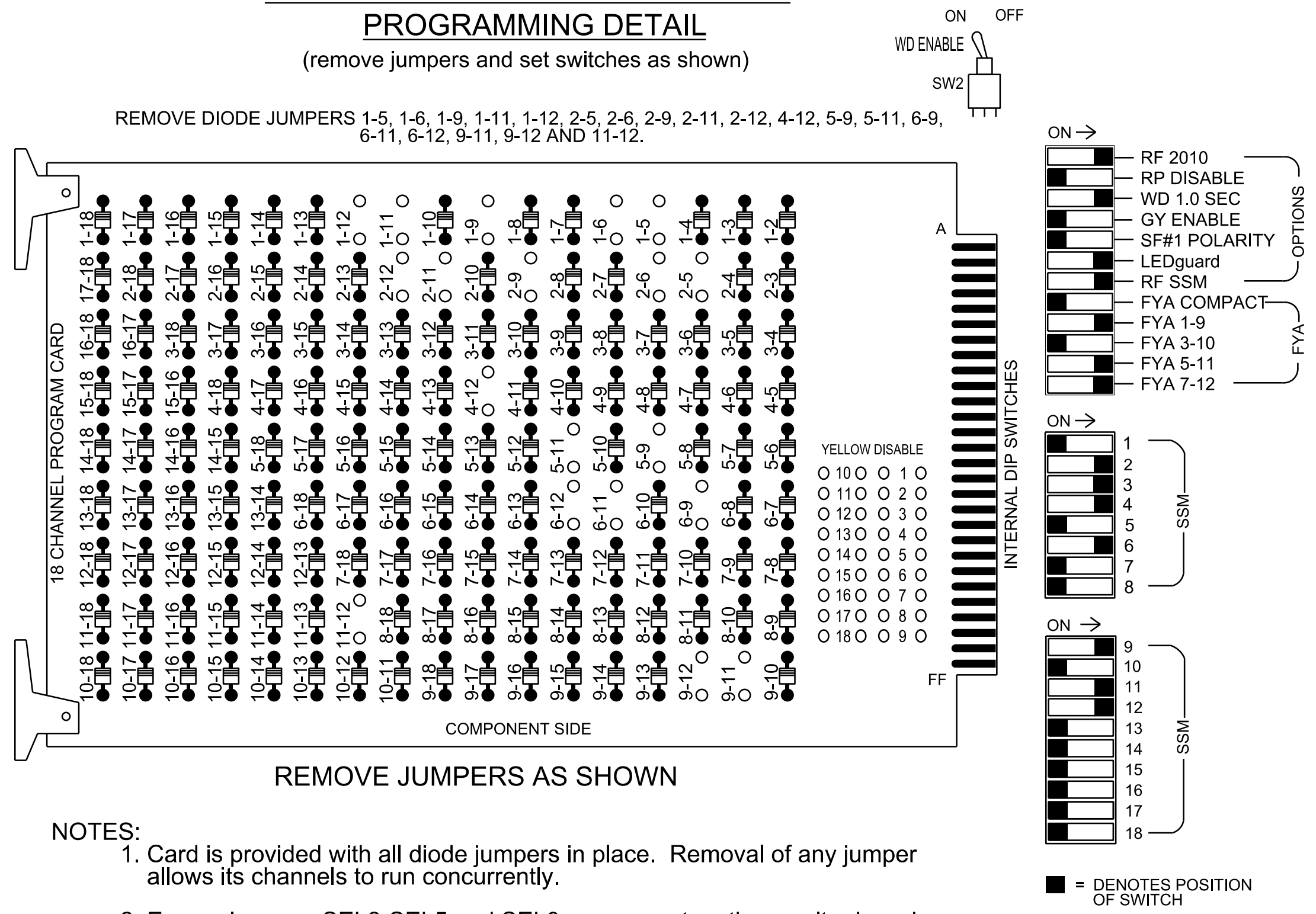


18 CHANNEL IP CONFLICT MONITOR PROGRAMMING DETAIL

(remove jumpers and set switches as shown)



- REMOVE DIODE JUMPERS 1-5, 1-6, 1-9, 1-11, 1-12, 2-5, 2-6, 2-9, 2-11, 2-12, 4-12, 5-9, 5-11, 6-9, 6-11, 6-12, 9-11, 9-12 AND 11-12.
- REMOVE JUMPERS AS SHOWN
- NOTES:
- Card is provided with all diode jumpers in place. Removal of any jumper allows its channels to run concurrently.
 - Ensure jumpers SEL2-SEL5 and SEL9 are present on the monitor board.
 - Ensure that the Red Enable is active at all times during normal operation.
 - Integrate monitor with Ethernet network in cabinet.

NOTES

- To prevent "flash-conflict" problems, insert red flash program blocks for all unused vehicle load switches in the output file. The installer shall verify that signal heads flash in accordance with the signal plan.
- Program controller to start up in phase 2 Green No Walk and 6 Green No Walk.
- If this signal will be managed by an ATMS software, enable controller and detector logging for all detectors used at this location.
- The cabinet and controller are part of the D14-12 Waynesville Signal System.

EQUIPMENT INFORMATION

Controller.....2070LX
 Cabinet.....332 w/ Aux
 Software.....Q-Free MAXTIME
 Cabinet Mount.....Base
 Output File Positions.....18 With Aux. Output File
 Load Switches Used.....S1, S2, S4, S5, S7, S8, AUX S1, AUX S4, AUX S5
 Phases Used.....1, 2, 3, 4, 5, 6
 Overlap "1".....*
 Overlap "2".....NOT USED
 Overlap "3".....*
 Overlap "4".....*

*See overlap programming detail on this sheet

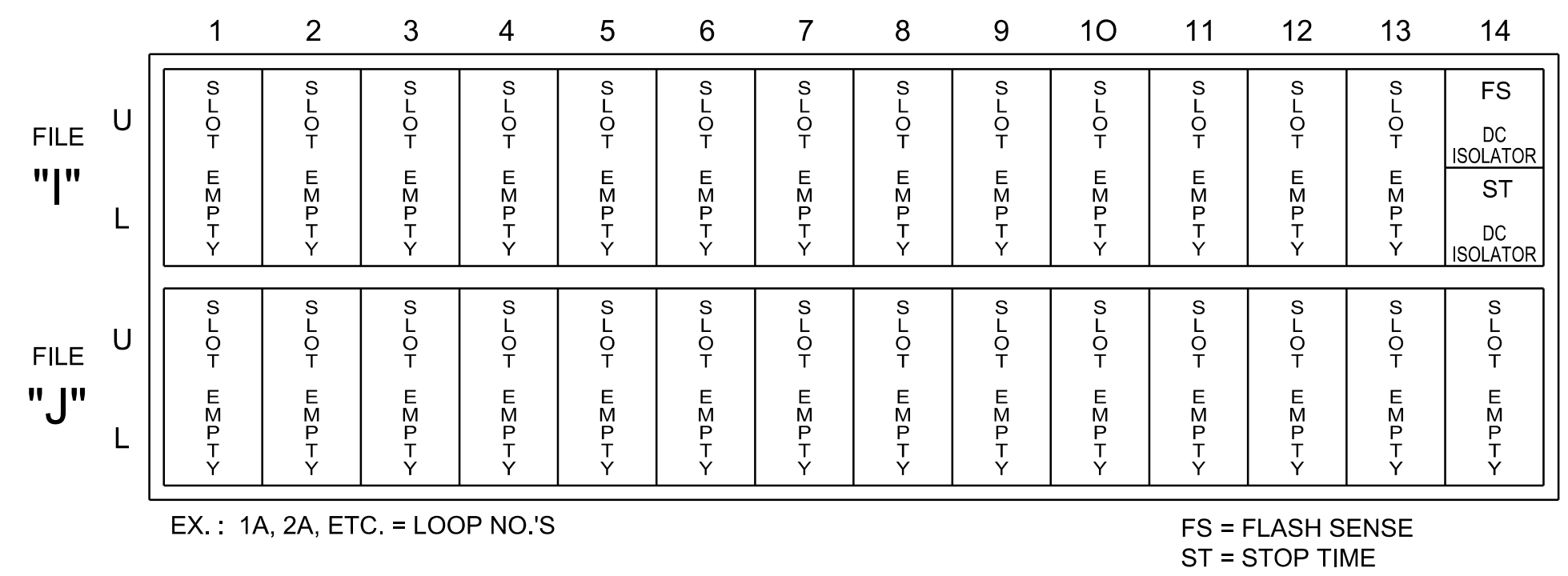
SIGNAL HEAD HOOK-UP CHART

LOAD SWITCH NO.	S1	S2	S3	S4	S5	S6	S7	S8	S9	S10	S11	S12	AUX S1	AUX S2	AUX S3	AUX S4	AUX S5	AUX S6					
CMU CHANNEL NO.	1	2	13	3	4	14	5	6	15	7	8	16	9	10	17	11	12	18					
PHASE	1	2	2 PED	3	4	4 PED	5	6	6 PED	7	8	8 PED	OL1	OL2	SPARE	OL3	OL4	SPARE					
SIGNAL HEAD NO.	11*	21.22	NU	31	32	41	42	43	NU	51*	61.62	NU	NU	NU	NU	11*	NU	51*	63*	NU			
RED		128		116	116		101	101			134									A101			
YELLOW	*	129		117	117		102	102		*	135												
GREEN		130		118	118		103	103			136												
RED ARROW							101													A121		A114	
YELLOW ARROW							102													A122		A115	A102
FLASHING YELLOW ARROW																				A123		A116	A103
GREEN ARROW	127			118	103	103			133														

NU = Not Used
 * Denotes install load resistor. See load resistor installation detail this sheet.
 * See pictorial of head wiring in detail this sheet.

INPUT FILE POSITION LAYOUT

(front view)



SPECIAL DETECTOR NOTE

Install a multizone microwave detection system for vehicle detection. Perform installation according to manufacturer's directions and NCDOT engineer-approved mounting locations to accomplish the detection schemes shown on the Signal Design Plans.

OVERLAP PROGRAMMING

Front Panel
 Main Menu > Controller > Overlap > Overlap Parameters/Overlap Timings

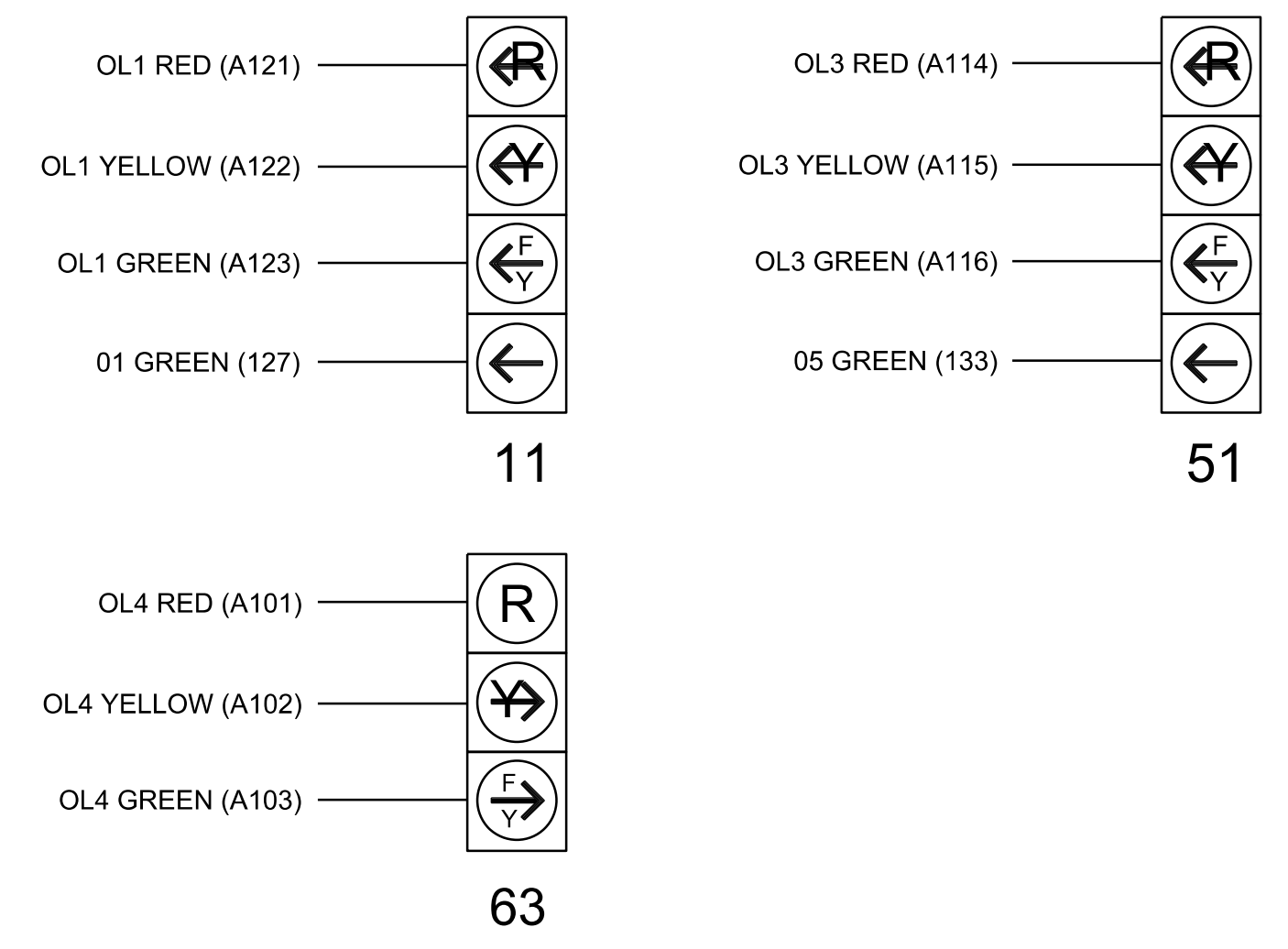
Web Interface
 Home > Controller > Overlap Configuration > Overlaps

Overlap Plan 1

Overlap	1	3	4
Type	FYA 4 - Section	FYA 4 - Section	FYA 4 - Section
Included Phases	2	6	4,6
Modifier Phases	1	5	-
Trail Green	0	0	0
Trail Yellow	0.0	0.0	0.0
Trail Red	0.0	0.0	0.0

FYA SIGNAL WIRING DETAIL

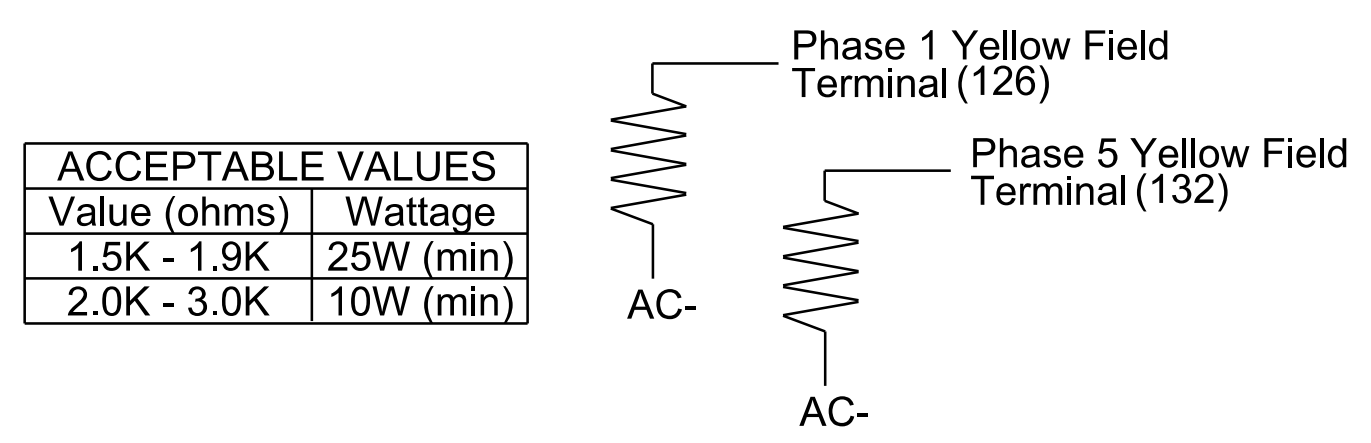
(wire signal heads as shown)



THIS ELECTRICAL DETAIL IS FOR THE SIGNAL DESIGN: 14-0359T4
 DESIGNED: Apr 2023
 SEALED: 04/11/2023
 REVISED: N/A

LOAD RESISTOR INSTALLATION DETAIL

(install resistors as shown)



Electrical Detail
 Temporary Design 4 - (TMP Phase III)

Infrastructure Consulting Services, Inc.
RKA
 RAMEY KEMP ASSOCIATES
 8210 University Executive Park Drive Suite 220 Charlotte, North Carolina 28262
 Phone: 704-543-4262 | www.rkainc.com | NC License No. F-1469

Prepared For:
 US 276 (Russ Avenue) at Dellwood Road/ SR 1184 (Howell Mill Road)
 Division 14 Haywood County Waynesville

PLAN DATE: April 2023 REVIEWED BY: WJ Hamilton
 PREPARED BY: TS Popelka RKA PROJ. NO: 16085 (040)

750 N. Greenfield Pkwy, Garner, NC 27529

DOCUMENT NOT CONSIDERED FINAL UNLESS ALL SIGNATURES COMPLETED

SEAL
 NORTH CAROLINA PROFESSIONAL ENGINEER
 SEAL 32396
 WILLIAM J. HAMILTON
 William J. Hamilton
 04/11/2023
 SIGNATURE DATE

SIG. INVENTORY NO. 14-0359T4