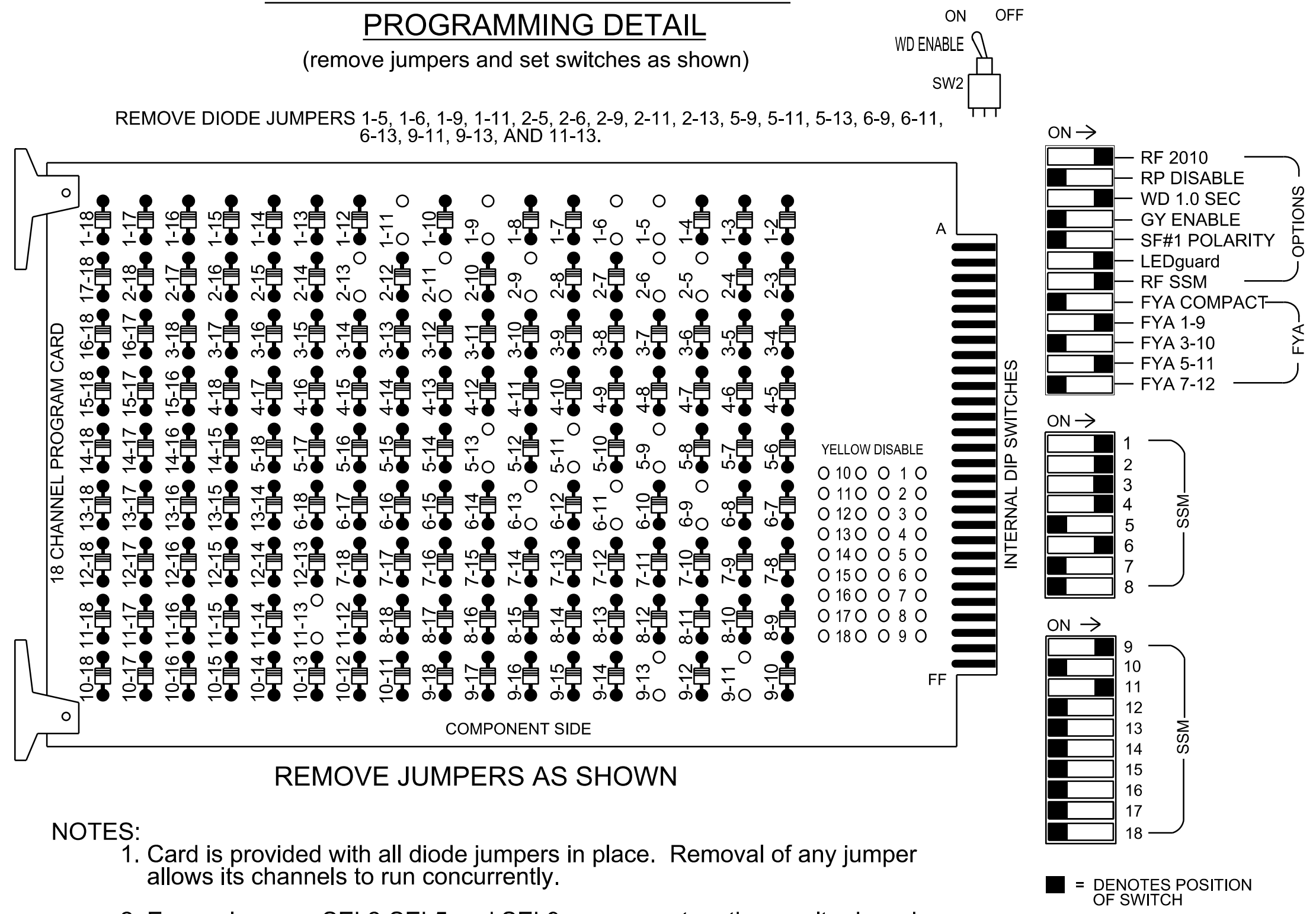


### 18 CHANNEL IP CONFLICT MONITOR PROGRAMMING DETAIL

(remove jumpers and set switches as shown)



- NOTES:
- Card is provided with all diode jumpers in place. Removal of any jumper allows its channels to run concurrently.
  - Ensure jumpers SEL2-SEL5 and SEL9 are present on the monitor board.
  - Ensure that the Red Enable is active at all times during normal operation.
  - Integrate monitor with Ethernet network in cabinet.

### NOTES

- To prevent "flash-conflict" problems, insert red flash program blocks for all unused vehicle load switches in the output file. The installer shall verify that signal heads flash in accordance with the signal plan.
- Program controller to start up in phase 2 Green Walk and 6 Green No Walk.
- If this signal will be managed by an ATMS software, enable controller and detector logging for all detectors used at this location.
- The cabinet and controller are part of the D14-12 Waynesville Signal System.

### EQUIPMENT INFORMATION

Controller.....2070LX  
 Cabinet.....332 w/ Aux  
 Software.....Q-Free MAXTIME  
 Cabinet Mount.....Base  
 Output File Positions.....18 With Aux. Output File  
 Load Switches Used.....S1, S2, S3, S4, S5, S7, S8, AUX S1, AUX S4  
 Phases Used.....1, 2, 2PED, 3, 4, 5, 6  
 Overlap "1".....\*  
 Overlap "2".....NOT USED  
 Overlap "3".....\*  
 Overlap "4".....NOT USED

\*See overlap programming detail on sheet 2

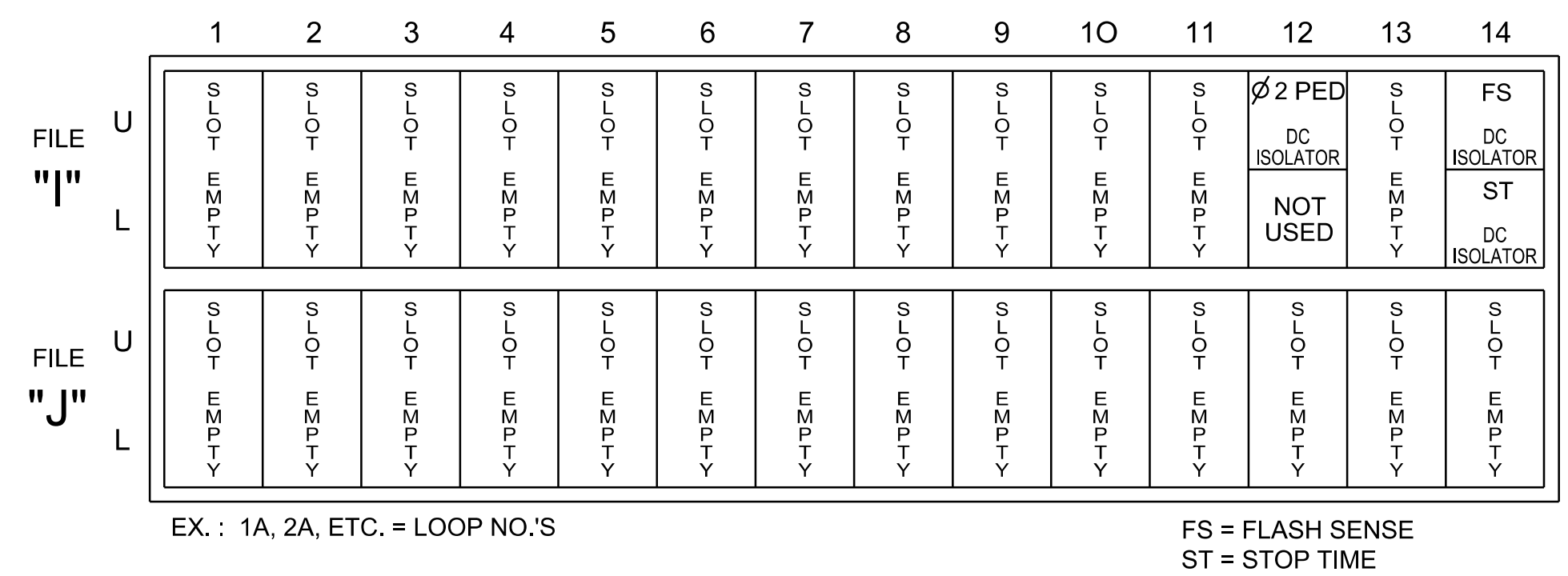
### SIGNAL HEAD HOOK-UP CHART

LOAD SWITCH NO.	S1	S2	S3	S4	S5	S6	S7	S8	S9	S10	S11	S12	AUX S1	AUX S2	AUX S3	AUX S4	AUX S5	AUX S6	
CMU CHANNEL NO.	1	2	13	3	4	14	5	6	15	7	8	16	9	10	17	11	12	18	
PHASE	1	2	2 PED	3	4	4 PED	5	6	6 PED	7	8	8 PED	OL1	OL2	SPARE	OL3	OL4	SPARE	
SIGNAL HEAD NO.	11*	32	21,22	P21, P22	31	32	41	42	43	NU	51*	61,62	NU	NU	NU	11*	NU	51*	NU
RED	*	128		116	116	101	101					134							
YELLOW		129		117	117	102	102	*	135										
GREEN		130		118	118	103	103		136										
RED ARROW						101										A121		A114	
YELLOW ARROW		126				102										A122		A115	
FLASHING YELLOW ARROW																A123		A116	
GREEN ARROW	127	127		118	103	103			133										
Hand																			
Walking																			

NU = Not Used  
 \* Denotes install load resistor. See load resistor installation detail this sheet.  
 \* See pictorial of head wiring in detail this sheet.

### INPUT FILE POSITION LAYOUT

(front view)



EX : 1A, 2A, ETC. = LOOP NO.'S FS = FLASH SENSE ST = STOP TIME

### SPECIAL DETECTOR NOTE

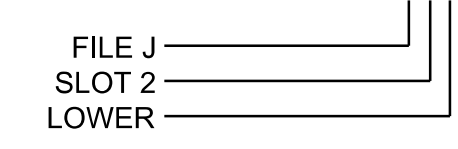
Install a multizone microwave detection system for vehicle detection. Perform installation according to manufacturer's directions and NCDOT engineer-approved mounting locations to accomplish the detection schemes shown on the Signal Design Plans.

### INPUT FILE CONNECTION & PROGRAMMING CHART

LOOP NO.	LOOP TERMINAL	INPUT FILE POS.	PIN NO.	INPUT POINT	DETECTOR NO.	CALL PHASE	DELAY TIME	EXTEND TIME	EXTEND	ADDED INITIAL	CALL	DELAY DURING GREEN
PED PUSH BUTTONS												
P21,P22	TB8-4,6	I12U	67	33	2	PED 2						

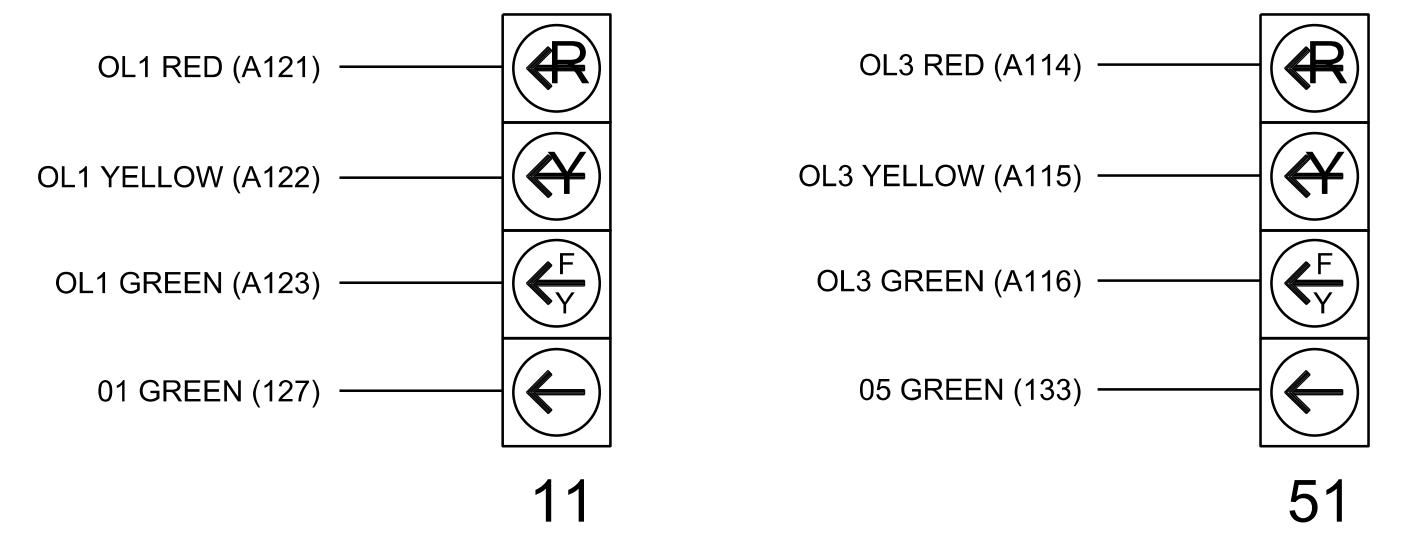
NOTE: INSTALL DC ISOLATOR IN INPUT FILE SLOT I12.

### INPUT FILE POSITION LEGEND: J2L



### FYA SIGNAL WIRING DETAIL

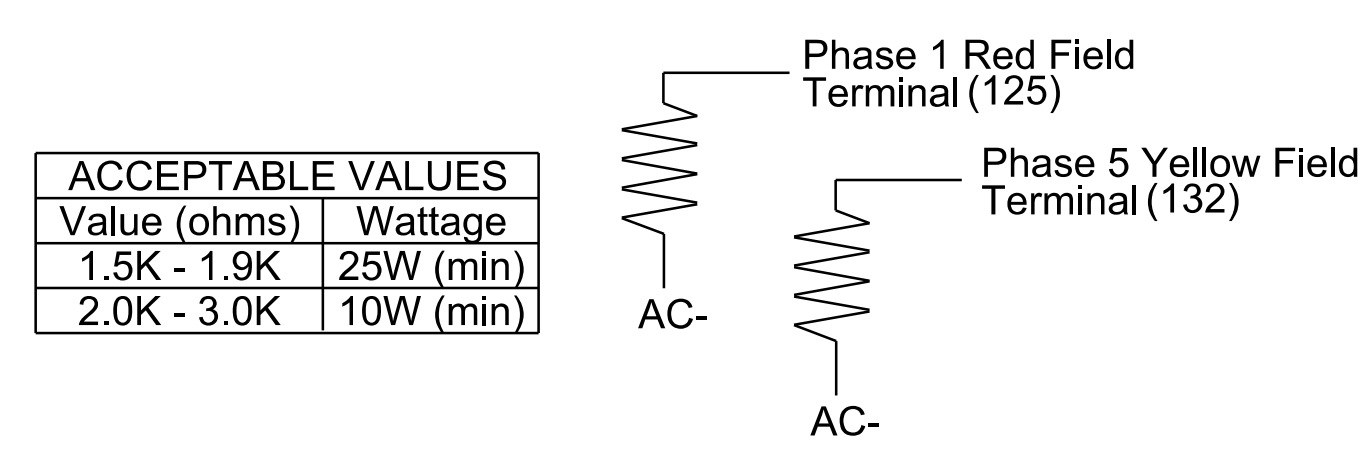
(wire signal heads as shown)



THIS ELECTRICAL DETAIL IS FOR THE SIGNAL DESIGN: 14-0359T2  
 DESIGNED: Apr 2023  
 SEALED: 04/11/2023  
 REVISED: N/A

### LOAD RESISTOR INSTALLATION DETAIL

(install resistors as shown)



### COUNTDOWN PEDESTRIAN SIGNAL OPERATION

Countdown Ped Signals are required to display timing only during Ped Clearance Interval. Consult Ped Signal Module user's manual for instructions on selecting this feature.

Electrical Detail - Sheet 1 of 2  
 Temporary Design 2 - (TMP Phase I, Step 2)

ELECTRICAL AND PROGRAMMING DETAILS FOR: RAMEY KEMP ASSOCIATES 8210 University Executive Park Drive Suite 220 Charlotte, North Carolina 28262 Phone: 704-543-4262   www.rkainc.com   NC License No. F-1489	Prepared For: US 276 (Russ Avenue) at Dellwood Road/ SR 1184 (Howell Mill Road) Division 14 Haywood County Waynesville	SEAL SEAL 32396 ENGINEER WILLIAM J. HAMILTON 04/11/2023
	PLAN DATE: April 2023 PREPARED BY: TS Popelka RKA PROJ. NO: 16085 (040)	REVIEWED BY: WJ Hamilton DATE: 04/11/2023