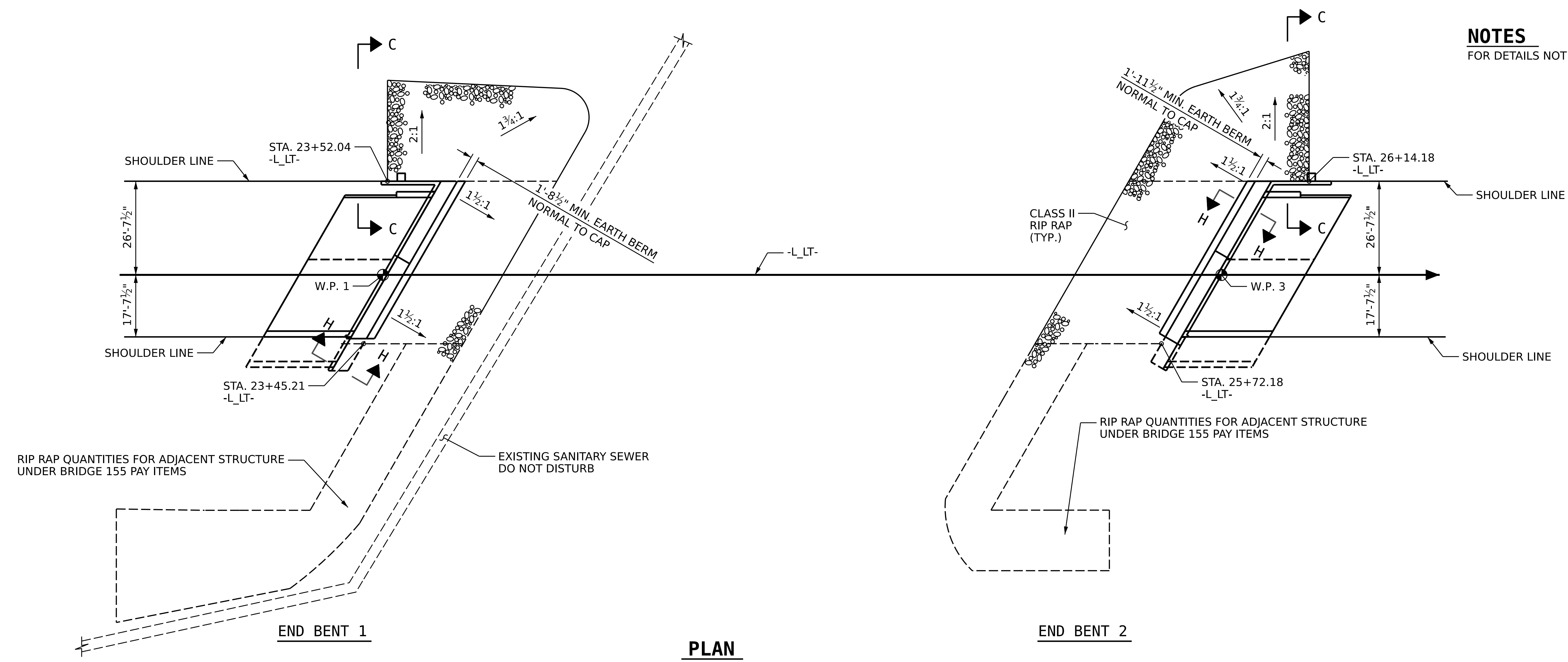
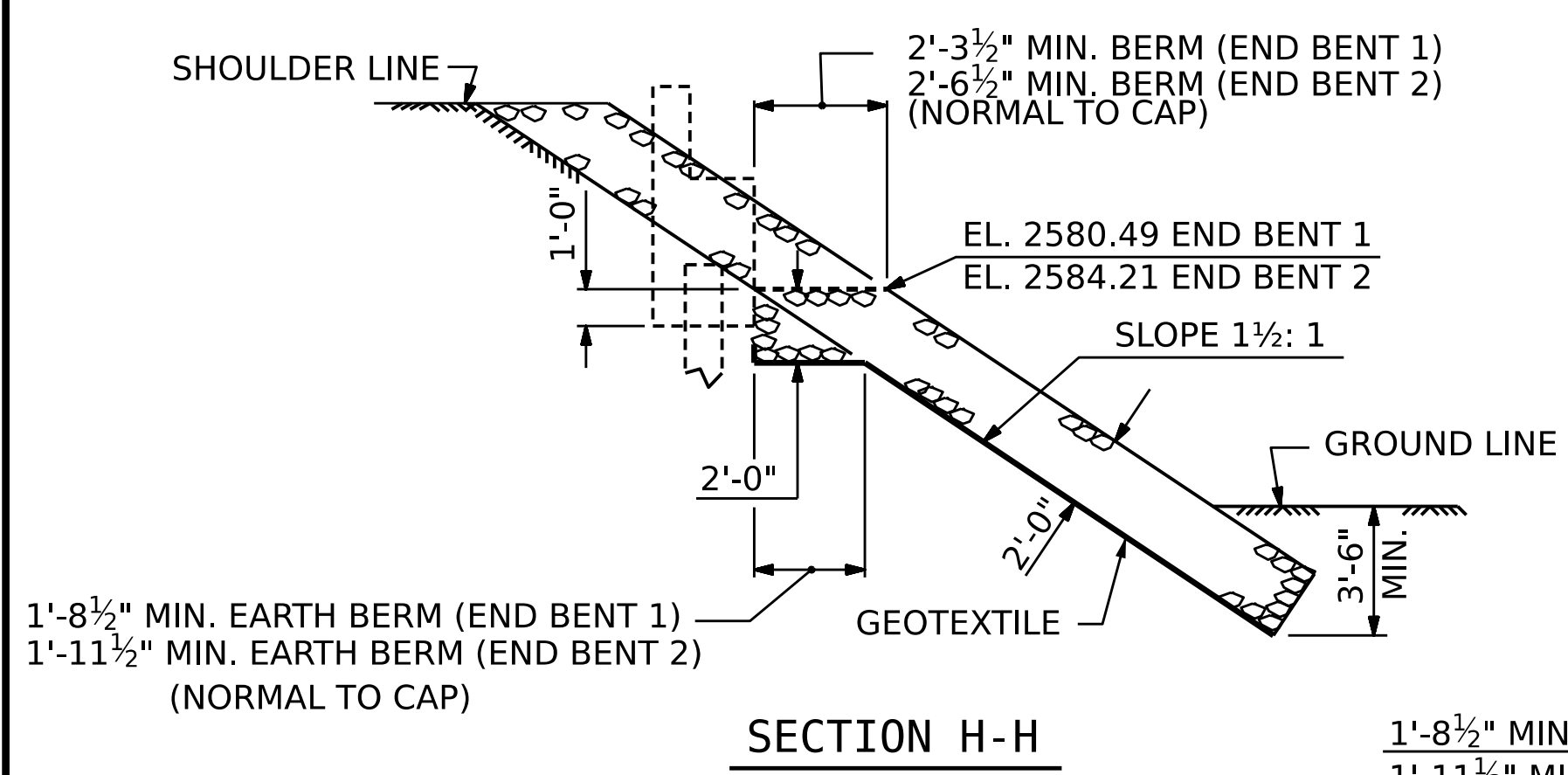


NOTES
FOR DETAILS NOT SHOWN, SEE GENERAL DRAWING.

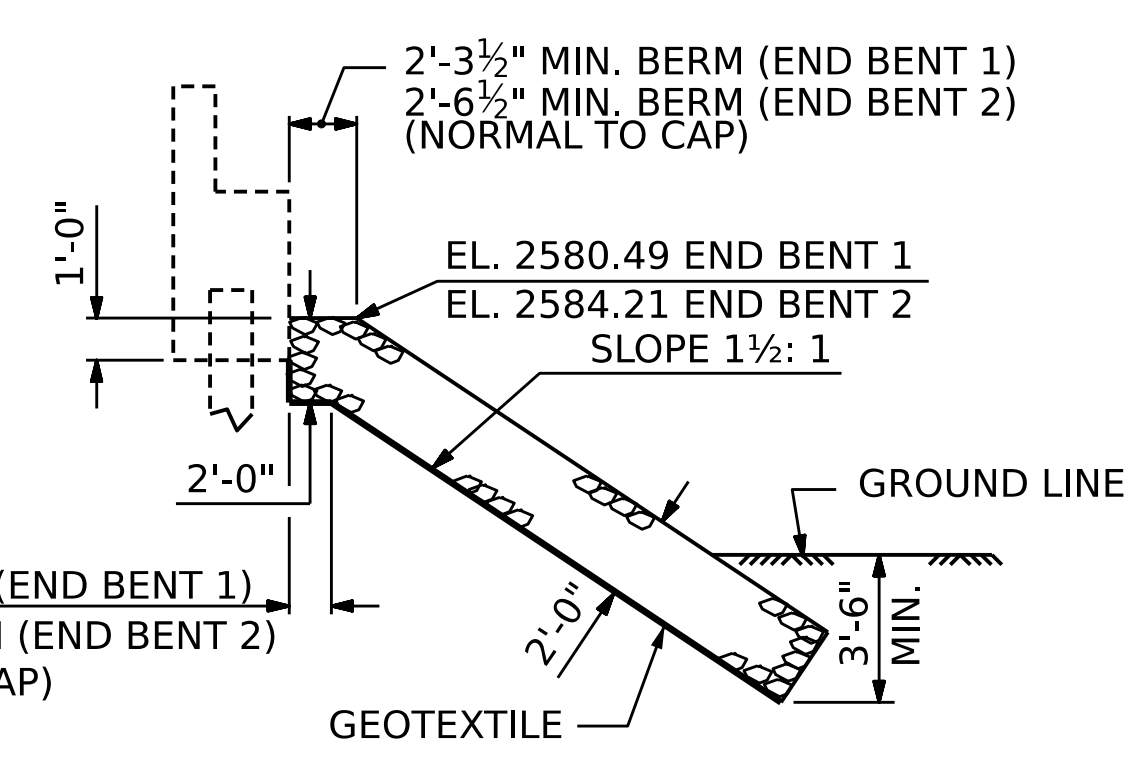


PLAN

ESTIMATED QUANTITIES		
BRIDGE @ STA. 24+70.00 -L_LT-	RIP RAP CLASS II (2'-0" THICK)	GEOTEXTILE FOR DRAINAGE
	TONS	SQUARE YARDS
END BENT 1	489	543
END BENT 2	460	511



SECTION H-H



SECTION C-C

SECTION C-C
BERM RIP RAPPED

PROJECT NO. **B-3186 / B-5898**
HAYWOOD COUNTY
STATION: **24+70.00 -L_LT-**
SHEET 1 OF 1

AECOM
AECOM TECHNICAL SERVICES OF NC, INC.
5438 WADE PARK BOULEVARD, SUITE 200
RALEIGH, NC 27607
(919) 854-6200 www.aecom.com
AECOM License No. F0242

DESIGNED BY: SPAL
DATE: 04/49/23
CHECKED BY: SHANE TULL
DATE: 10/13/2023

REVISIONS						SHEET NO. S3-45
NO.	BY:	DATE:	NO.	BY:	DATE:	
1			3			TOTAL SHEETS 50
2			4			

ASSEMBLED BY : L. LEE	DATE : 06/2023
CHECKED BY : S. NATARAJAN	DATE : 06/2023
DRAWN BY : REK 1/84	REV. 10/1/11 MAA/GM
CHECKED BY : RDU 1/84	REV. 12/21/11 MAA/GM
	REV. 12/17 MAA/THC

DOCUMENT NOT CONSIDERED
FINAL UNLESS ALL
SIGNATURES COMPLETED