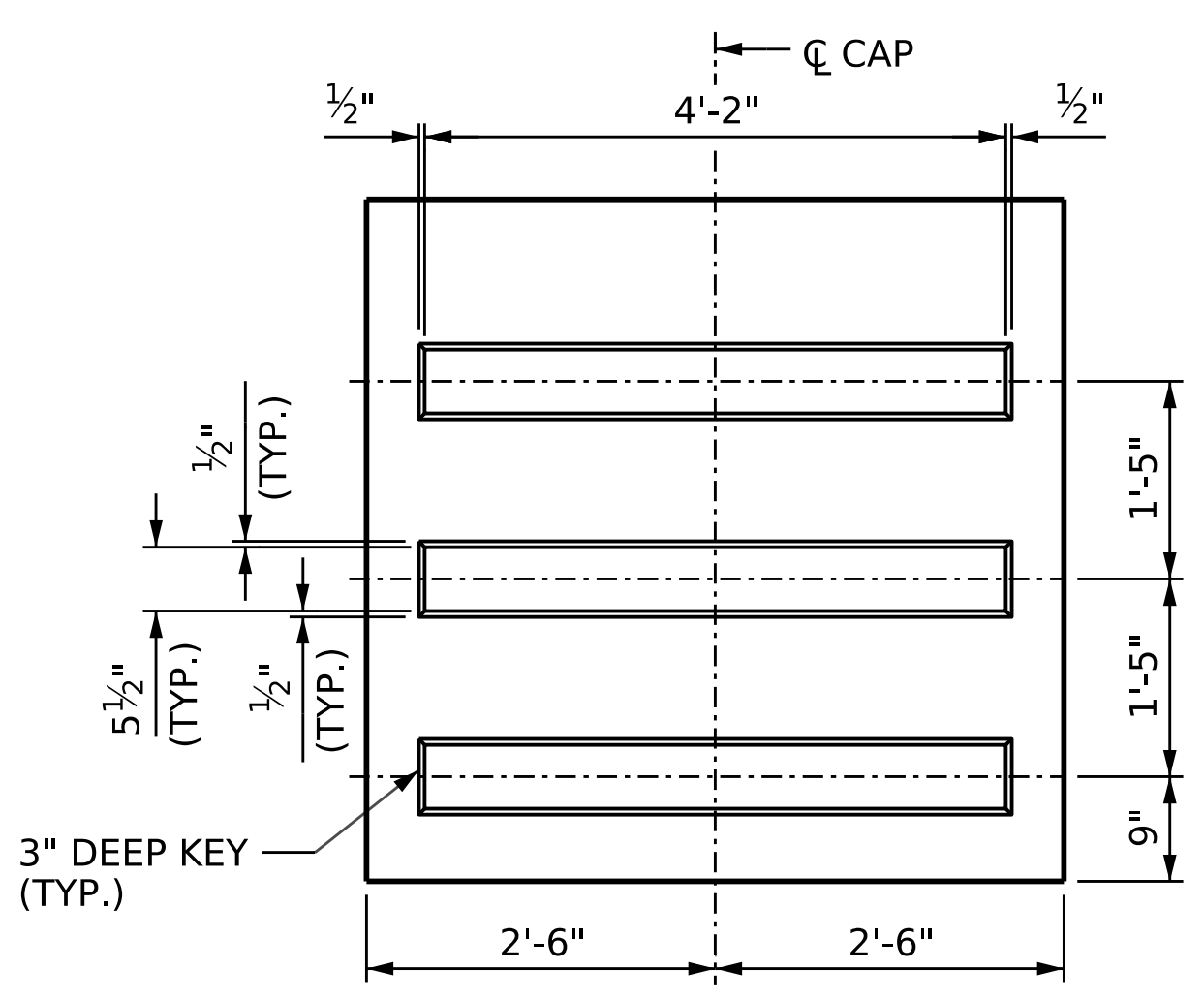
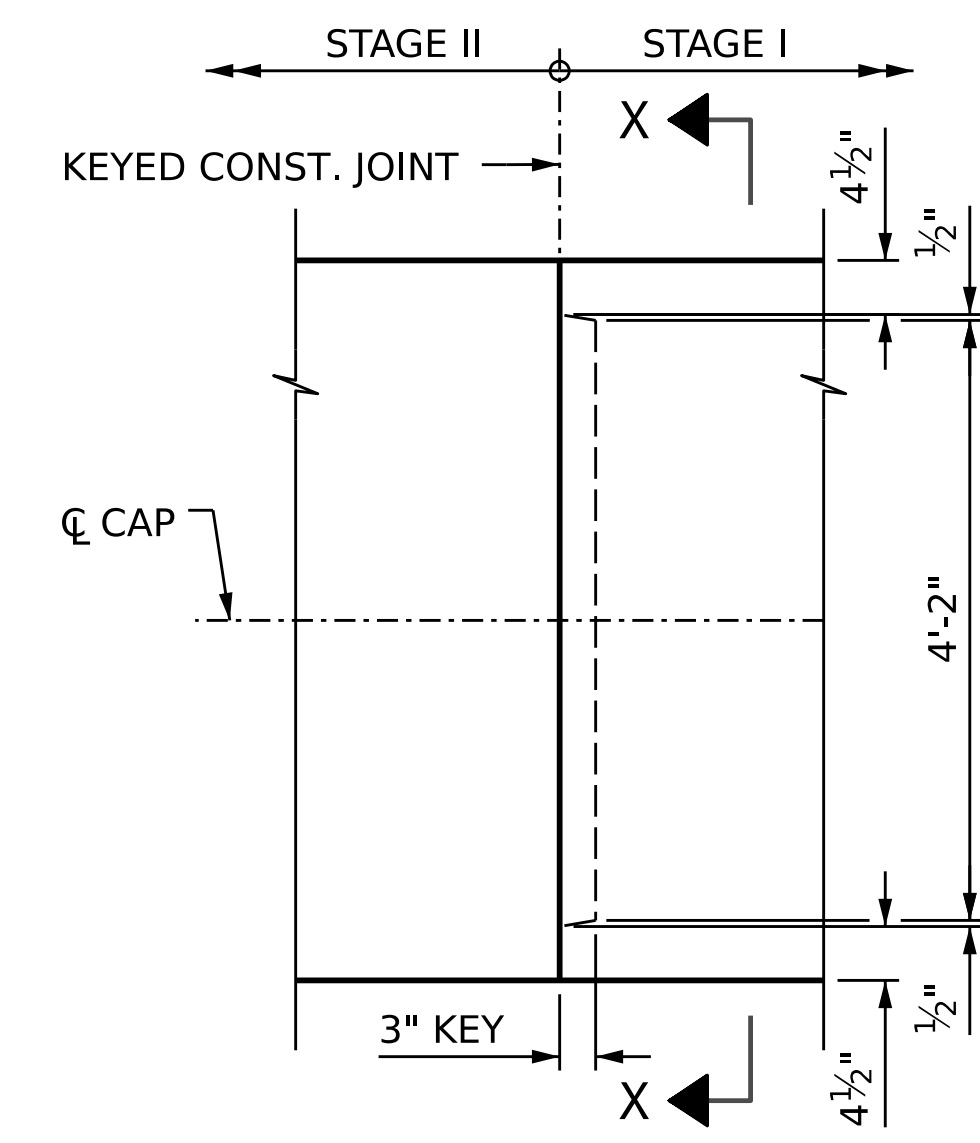


**SECTION A-A**

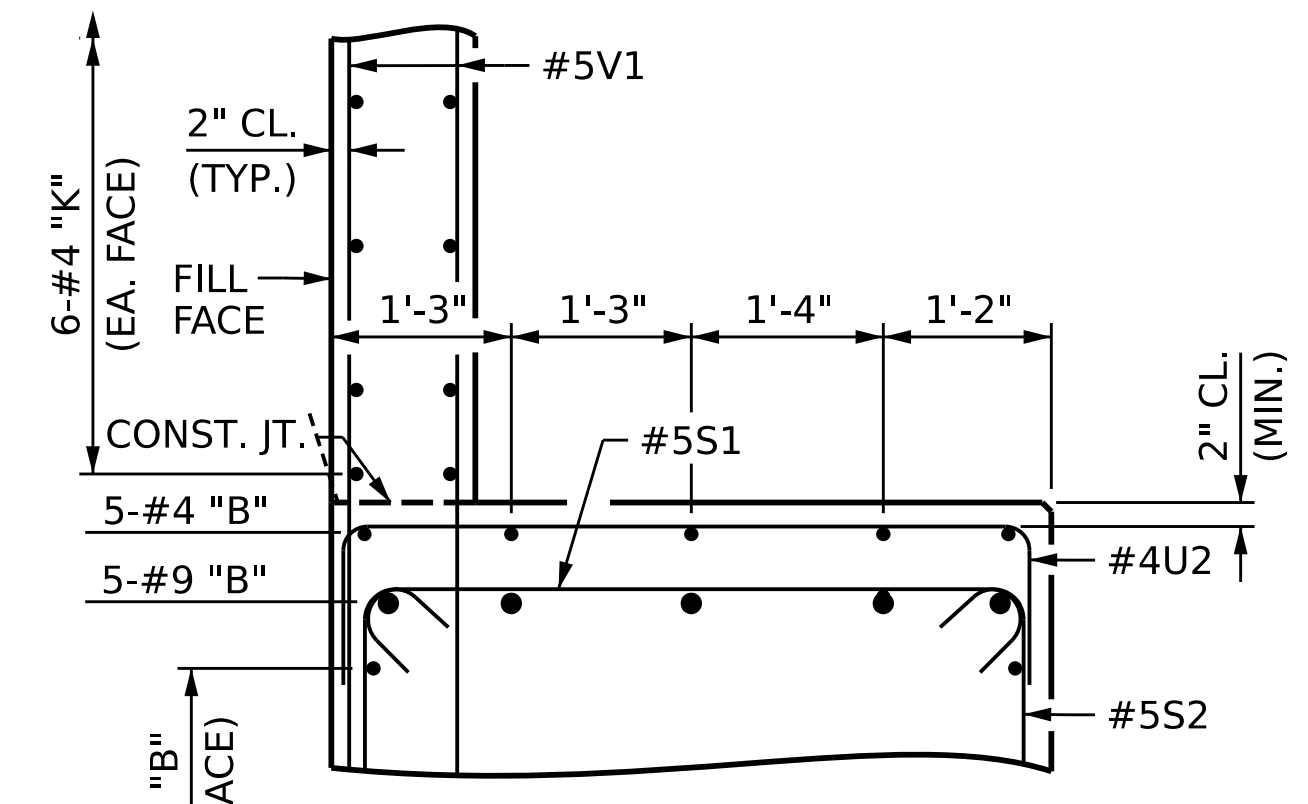


**SECTION X-X**

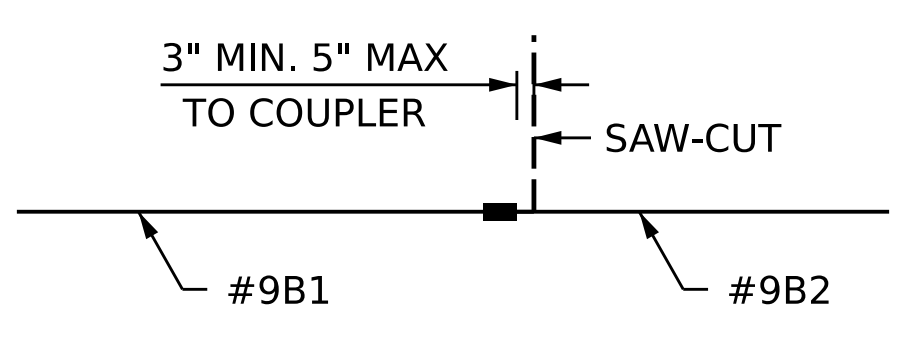


**PLAN**

**KEYED CONSTRUCTION JOINT DETAIL**



**SECTION B-B**



**THREADED BAR DETAIL**

PROJECT NO. B-3186 / B-5898  
HAYWOOD COUNTY  
 STATION: 24+70.00 -L\_LT-  
 SHEET 4 OF 5

**AECOM**  
AECOM TECHNICAL SERVICES OF NC, INC.  
 5438 WADE PARK BOULEVARD, SUITE 200  
 RALEIGH, NC 27607  
 (919) 854-6200 www.aecom.com  
 AECOM License No. F0242

Professional Engineer Seal  
 State of North Carolina  
 No. 04,497  
 Date 10/13/2023  
 Shane Tuttle

STATE OF NORTH CAROLINA  
 DEPARTMENT OF TRANSPORTATION  
 RALEIGH

**SUBSTRUCTURE**  
**END BENT 2**  
 SECTIONS & DETAILS

REVISIONS						SHEET NO.
NO.	BY:	DATE:	NO.	BY:	DATE:	TOTAL SHEETS
1			3			50
2			4			

DRAWN BY: D. RITACCO DATE: 05/2023  
 CHECKED BY: D. TUTTLE DATE: 06/2023  
 DESIGN ENGINEER OF RECORD: D. TUTTLE DATE: 06/2023

DOCUMENT NOT CONSIDERED  
 FINAL UNLESS ALL  
 SIGNATURES COMPLETED