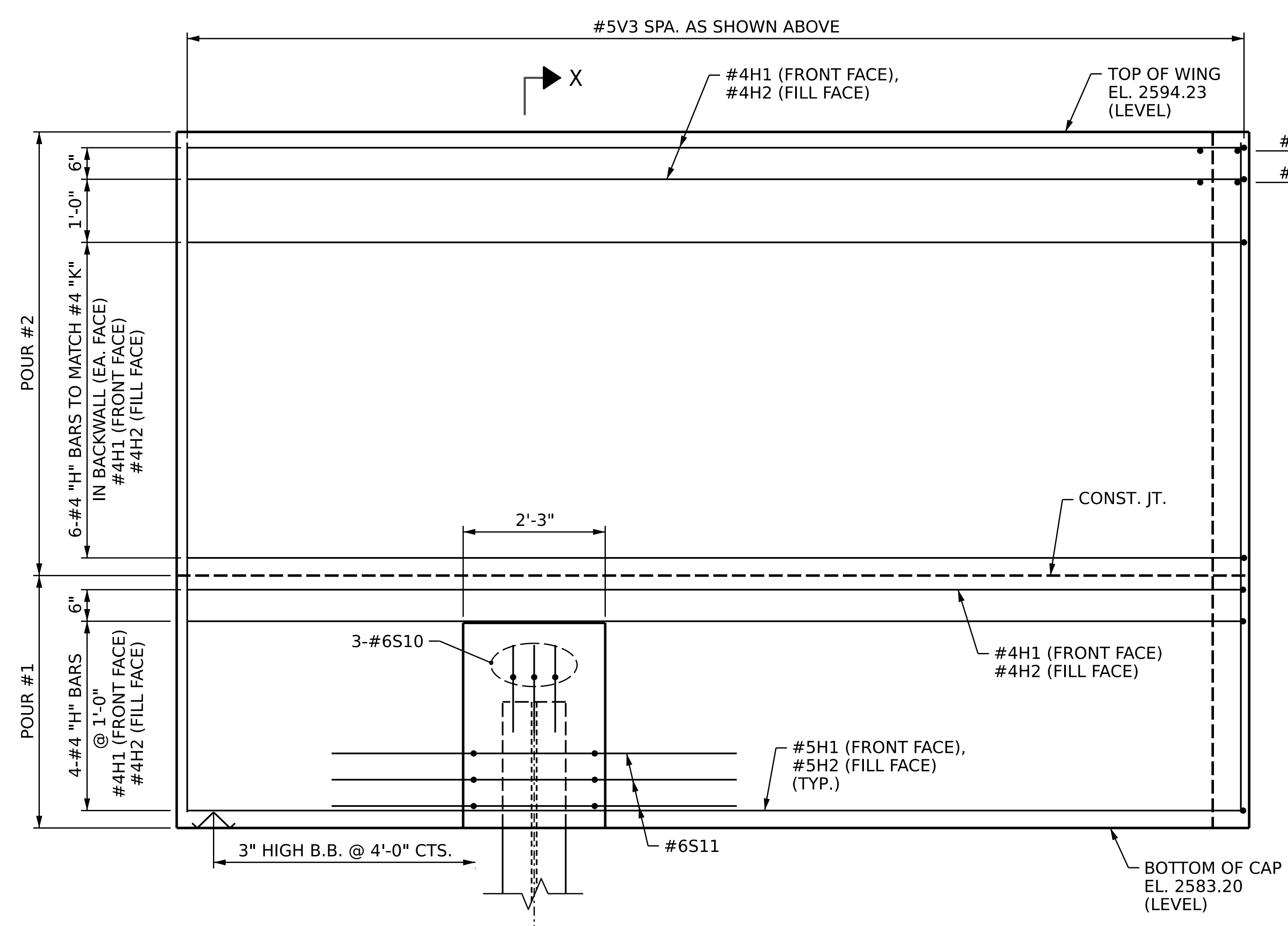
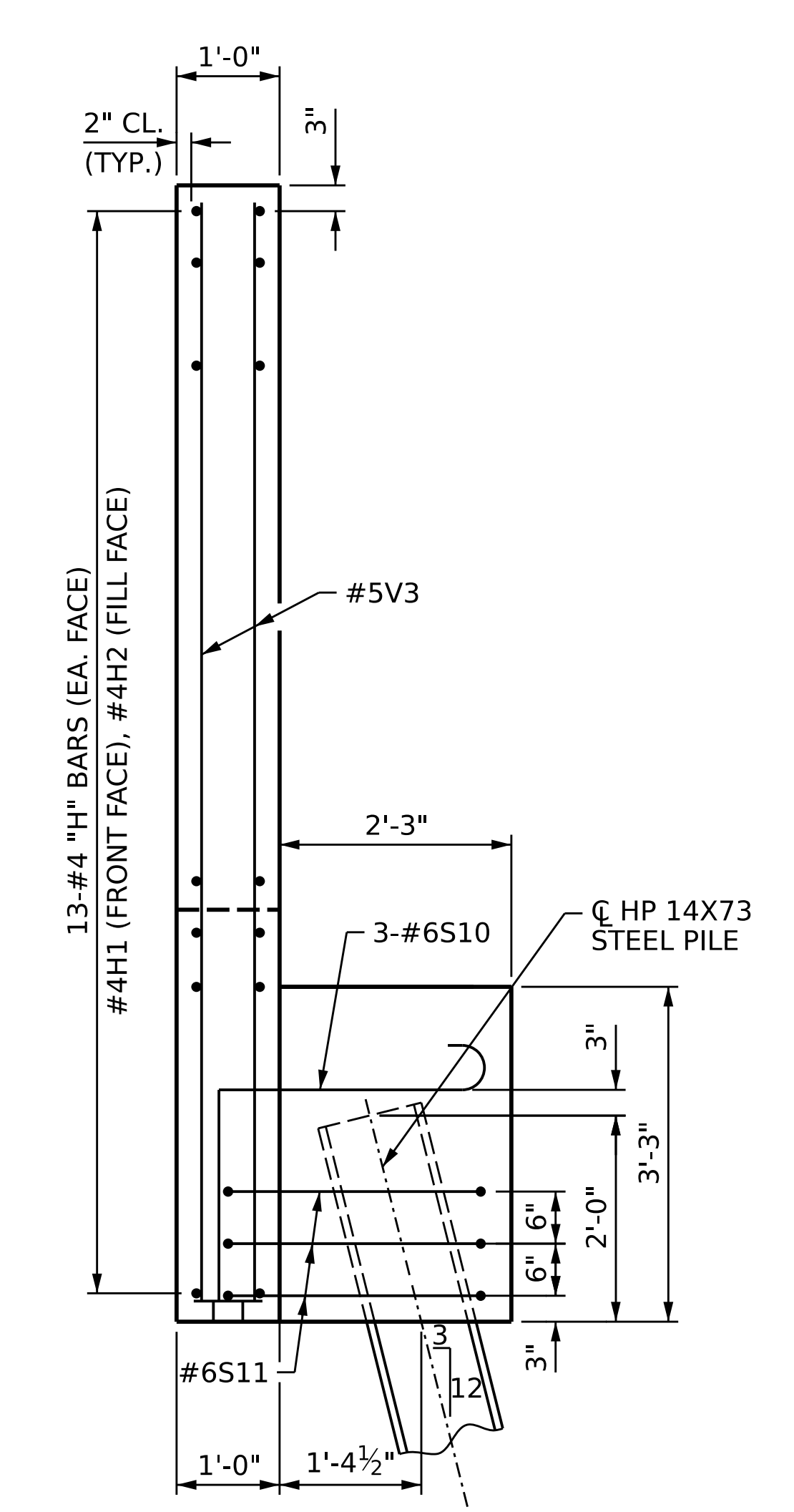


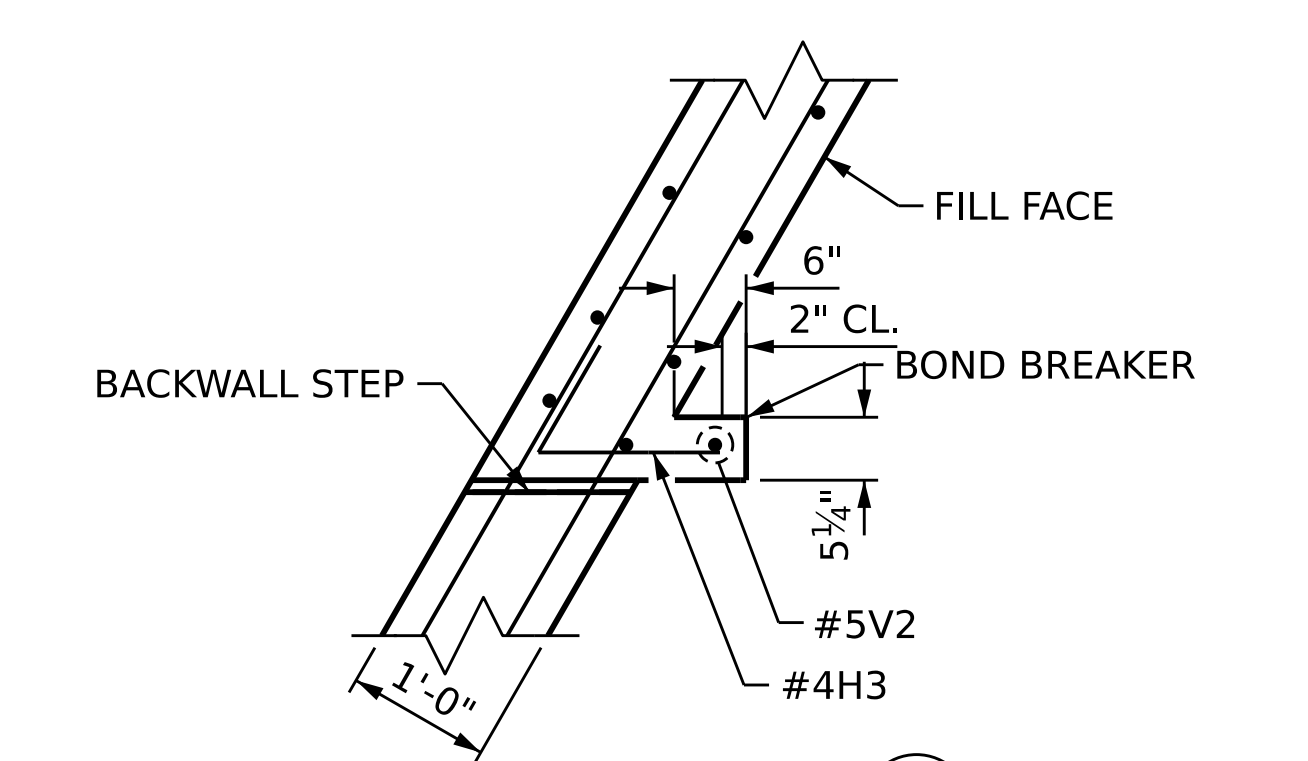
PLAN OF WING (W1)



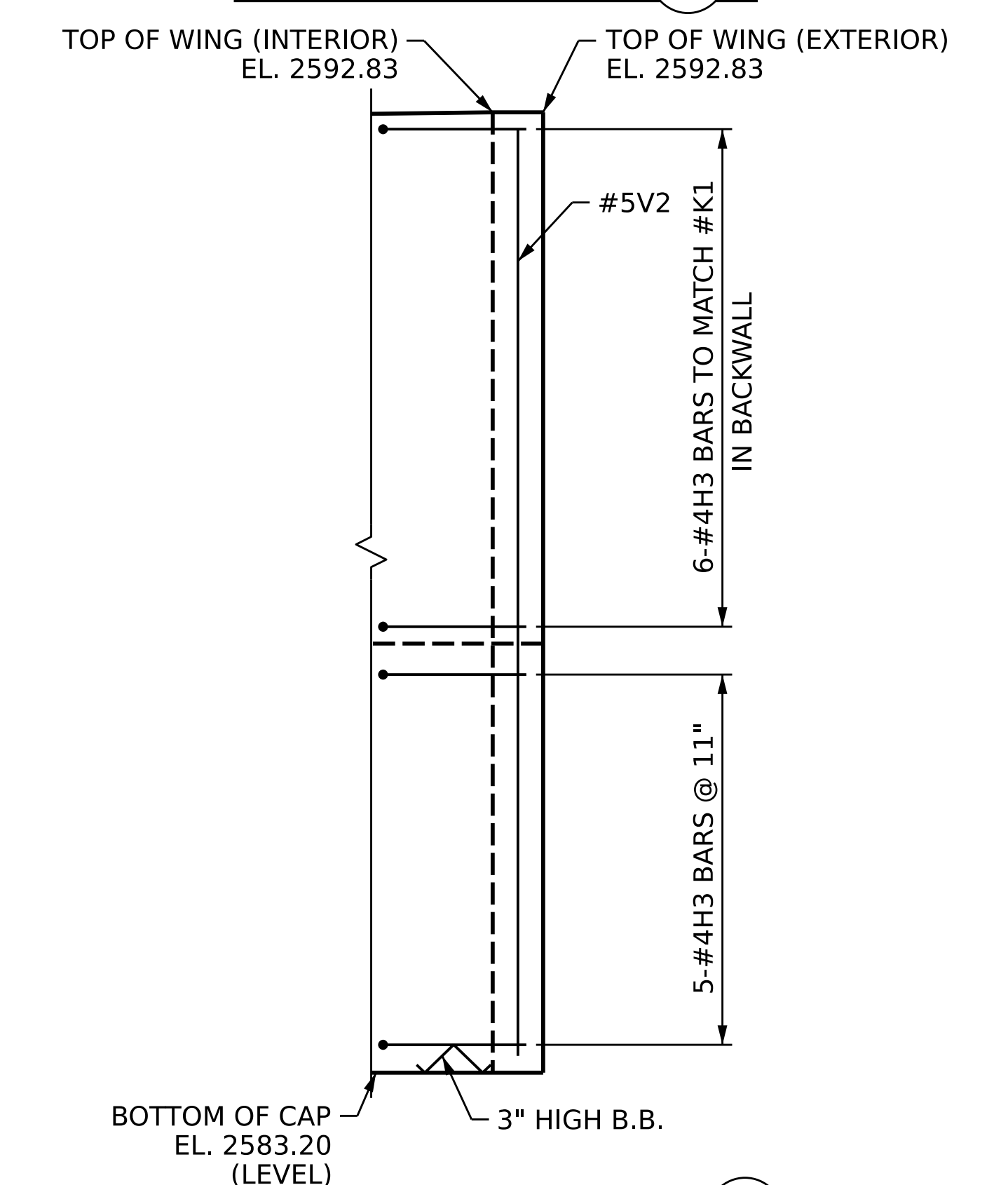
ELEVATION OF WING (W1)



SECTION X-X



PLAN OF WING (W2)



ELEVATION OF WING (W2)

PROJECT NO. B-3186 / B-5898
HAYWOOD COUNTY
 STATION: 24+70.00 -L LT-
 SHEET 3 OF 5

AECOM
AECOM TECHNICAL SERVICES OF NC, INC.
 5430 WADE PARK BOULEVARD, SUITE 200
 RALEIGH, NC 27607
 (919) 854-6200 www.aecom.com
 AECOM License No. F0242

DESIGNED BY: SPAL
 DATE: 04/49/23
 DRAWN BY: SHANE TUTTLE
 DATE: 10/13/2023

STATE OF NORTH CAROLINA DEPARTMENT OF TRANSPORTATION RALEIGH					
SUBSTRUCTURE END BENT 2 WINGWALLS					
REVISIONS					
NO.	BY:	DATE:	NO.	BY:	DATE:
1			3		
2			4		
SHEET NO.					S3-42
TOTAL SHEETS					50

DRAWN BY: D. RITACCO DATE: 05/2023
 CHECKED BY: D. TUTTLE DATE: 06/2023
 DESIGN ENGINEER OF RECORD: D. TUTTLE DATE: 06/2023

DOCUMENT NOT CONSIDERED
 FINAL UNLESS ALL
 SIGNATURES COMPLETED